

**Waveguide Transition With WR-90 UG-39/U Square Cover Flange to WR-75 Square Cover Flange in 3 Inch Length**

The FMWTS1004 is part of Fairview Microwave's family of Waveguide Transitions (also sometimes called waveguide adapters) used as a means of propagating RF/Microwave energy from one waveguide size to another. The FMWTS1004 allows the waveguide to change from a WR-90 waveguide (using a UG-39/U flange) to a WR-75 waveguide (using a Square Cover flange).



**Electrical Specifications**

Description	Min	Typ	Max	Units
VSWR		1.08:1		

**Mechanical Specifications**

Size	Min	Typ	Max	Units
Length		3 in [76.2 mm]		

Description	Flange 1	Waveguide	Flange 2
Designation	UG-39/U	WR-90 to WR-75	None
Flange Type	Square Cover		Square Cover

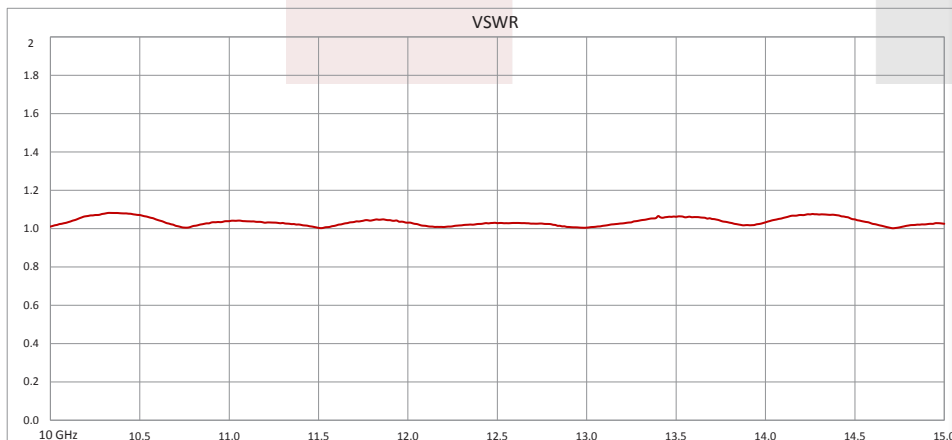
**Compliance Certifications** (visit [www.FairviewMicrowave.com](http://www.FairviewMicrowave.com) for current document)

RoHS Compliant	Yes
REACH Compliant	12/17/2015

**Plotted and Other Data**

- Notes:
- Typical VSWR data taken with load

**Typical Performance Data**



**Features:**

- Transitions from WR-90 to WR-75 waveguide
- WR-90 waveguide UG-39/U flange
- WR-75 waveguide Square Cover flange
- Painted finish

**Applications:**

- Radar Systems
- Military and Space
- Wireless Radio Systems
- Telecom Infrastructure
- Communication Systems
- R&D Labs
- Microwave Radio Systems

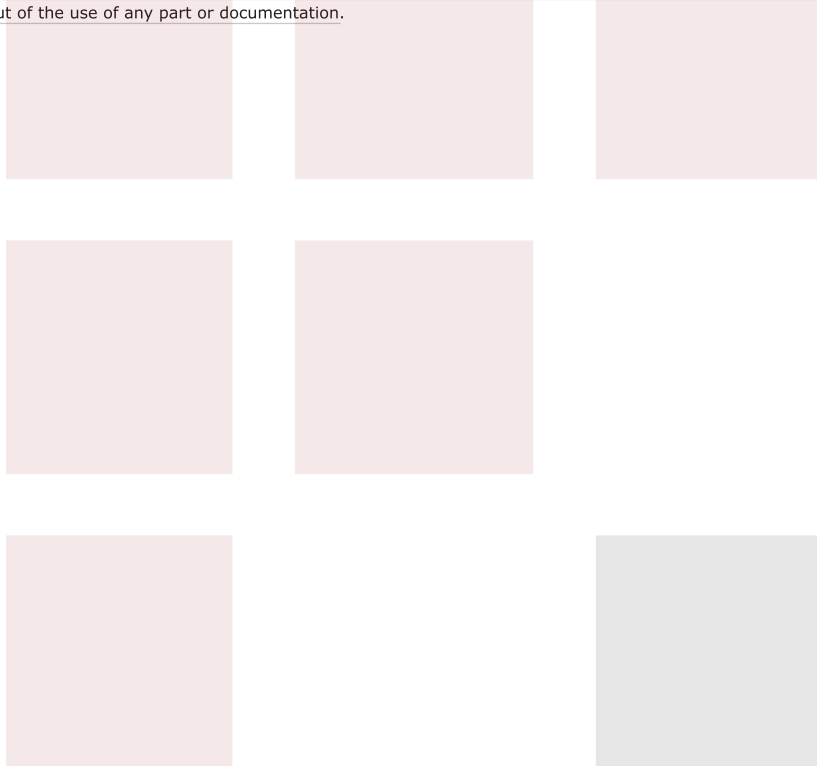
Fairview Microwave  
 1130 Junction Dr. #100  
 Allen, TX 75013  
 Tel: 1-800-715-4396 / (972) 649-6678  
 Fax: (972) 649-6689  
[www.fairviewmicrowave.com](http://www.fairviewmicrowave.com)  
[sales@fairviewmicrowave.com](mailto:sales@fairviewmicrowave.com)

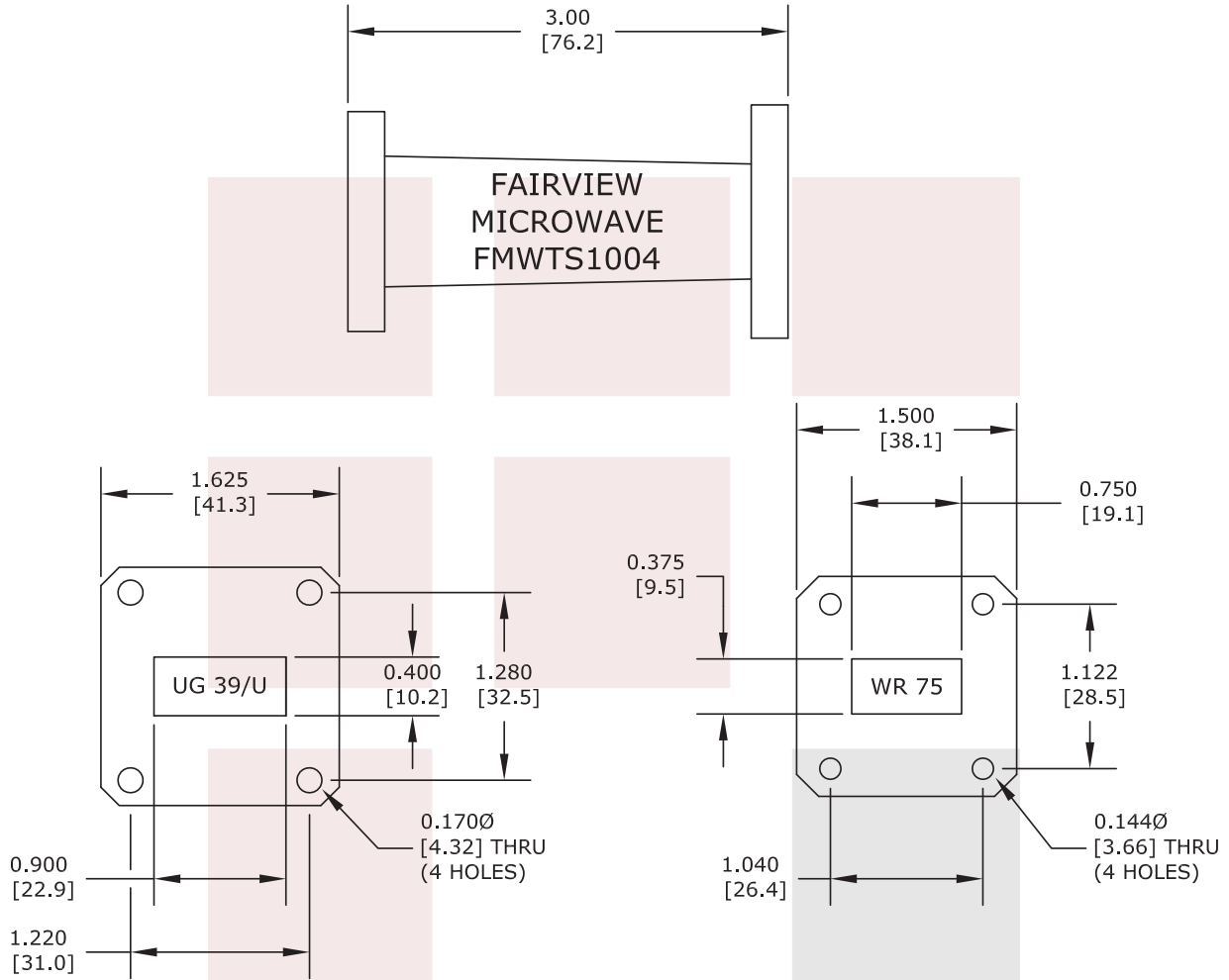
Waveguide Transition With WR-90 UG-39/U Square Cover Flange to WR-75 Square Cover Flange in 3 Inch Length from Fairview Microwave is in-stock and available to ship same-day. All of our RF/microwave products are available off-the-shelf from our ISO 9001:2008 certified facilities in Allen, Texas. Fairview Microwave is RF on-demand.

For additional information on this product, please click the following link: [Waveguide Transition With WR-90 UG-39/U Square Cover Flange to WR-75 Square Cover Flange in 3 Inch Length FMWTS1004](#)

URL: <http://www.fairviewmicrowave.com/waveguide-transition-wr90-ug39-square-wr75-square-fmwts1004-p.aspx>

The information contained in this document is accurate to the best of our knowledge and representative of the part described herein. It may be necessary to make modifications to the part and/or the documentation of the part, in order to implement improvements. Fairview Microwave reserves the right to make such changes as required. Unless otherwise stated, all specifications are nominal. Fairview Microwave does not make any representation or warranty regarding the suitability of the part described herein for any particular purpose, and Fairview Microwave does not assume any liability arising out of the use of any part or documentation.





STANDARD TOLERANCES	
.X	±0.2
.XX	±0.1
.XXX	±0.05

\*STANDARD TOLERANCES APPLY ONLY TO DIMENSIONS IN INCHES

<b>FAIRVIEW MICROWAVE INC.</b> ALLEN, TX 75013 WWW.FAIRVIEWMICROWAVE.COM		NOTES: 1. UNLESS OTHERWISE SPECIFIED ALL DIMENSIONS ARE NOMINAL. 2. ALL SPECIFICATIONS ARE SUBJECT TO CHANGE WITHOUT NOTICE AT ANY TIME. 3. DIMENSIONS ARE IN INCHES [mm].			
TITLE Waveguide Transition With WR-90 UG-39/U Square Cover Flange to WR-75 Square Cover Flange in 3 Inch Length		DWG NO FMWTS1004		CAGE CODE 3FKR5	
CAD FILE	010816	SHEET	SCALE	N/A	SIZE A 2233