

WRD-650 Waveguide Section 3 Inch Straight Length with UG Square Cover Flange from 6.5 GHz to 18 GHz in Brass

Fairview Microwave's FMWRD650S001-3 is a 3 inch WRD-650 straight double ridge waveguide section that operates from 6.5 GHz to 18 GHz. This straight waveguide section offers a typical 1.15 VSWR. The input of this straight waveguide section has a UG Flange. FMWRD650S001-3 is part of over 40,000 RF, microwave and millimeter wave components offered at Fairview Microwave. WRD-650 straight waveguide section will ship worldwide the same day it is purchased along with our other RF components.

Electrical Specifications*

Description	Min	Typ	Max	Units
Frequency Range	6.5		18	GHz
VSWR		1.15:1		
Insertion Loss		0.3		dB

* Values at 25°C, sea level

Mechanical Specifications

Waveguide Size WRD-650
 Section Length 3 in [76.2 mm]

Flange 1

Flange Type Square Cover
 Flange Designation UG
 Material Brass

Waveguide

Interface WRD-650
 Material Copper

Flange 2

Flange Type Square Cover
 Flange Designation UG
 Material Brass

Size

Weight 1 lbs [453.59 g]

Compliance Certifications (see [product page](#) for current document)

Plotted and Other Data

Notes:

- Values at 25 °C, sea level



Features:

- 3" Length
- WRD-650 Double Ridge Waveguide
- UG Flange
- 6.5 GHz to 18 GHz Frequency Range
- Comprehensive waveguide offering also includes E-Bends, H-Bends, Waveguide to Coax Adapters, Filters, Terminations, and more.

Fairview Microwave
 301 Leora Ln., Suite 100
 Lewisville, TX 75056
 Tel: 1-800-715-4396 / (972) 649-6678
 Fax: (972) 649-6689
www.fairviewmicrowave.com
sales@fairviewmicrowave.com

WRD-650 Waveguide Section 3 Inch Straight Length with UG Square Cover Flange from 6.5 GHz to 18 GHz in Brass from Fairview Microwave is in-stock and available to ship same-day. All of our RF/microwave products are available off-the-shelf from our ISO 9001:2008 certified facilities in Lewisville, Texas. Fairview Microwave is RF on-demand.

For additional information on this product, please click the following link: [WRD-650 Waveguide Section 3 Inch Straight Length with UG Square Cover Flange from 6.5 GHz to 18 GHz in Brass FMWRD650S001-3](#)

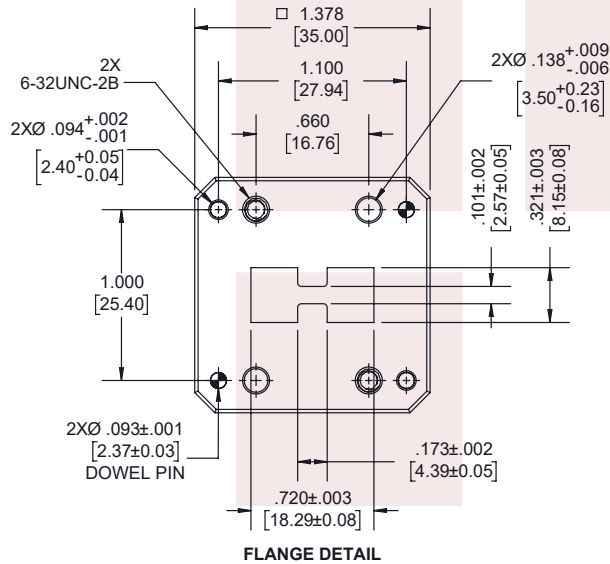
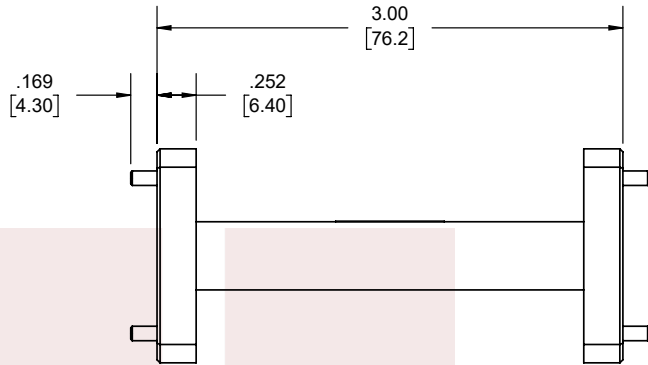
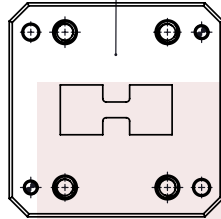
URL: <https://www.fairviewmicrowave.com/wrd-650-waveguide-section-straight-ug387-mod-round-fmwr650s001-3-p.aspx>

The information contained in this document is accurate to the best of our knowledge and representative of the part described herein. It may be necessary to make modifications to the part and/or the documentation of the part, in order to implement improvements. Fairview Microwave reserves the right to make such changes as required. Unless otherwise stated, all specifications are nominal. Fairview Microwave does not make any representation or warranty regarding the suitability of the part described herein for any particular purpose, and Fairview Microwave does not assume any liability arising out of the use of any part or documentation.

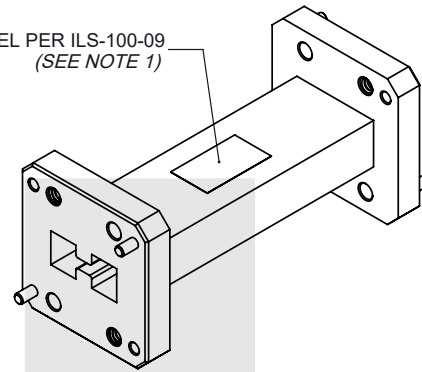


REVISIONS			
REV.	DESCRIPTION	DATE	APPROVED
A	INITIAL RELEASE	10/1/2020	S.PONG

WRD650 DOUBLE-RIDGE
FPWRD650D28 COVER FLANGE
TYP



LABEL PER ILS-100-09
(SEE NOTE 1)



NOTES:

1. LABEL PER ILS-100-09. FOR INTERNAL REFERENCE ONLY. LABEL LOCATION FOR REFERENCE ONLY.

THESE COMMODITIES, TECHNOLOGY OR SOFTWARE WERE EXPORTED FROM THE UNITED STATES IN ACCORDANCE WITH THE EXPORT ADMINISTRATION REGULATIONS. DIVERSION CONTRARY TO U.S. LAW PROHIBITED.



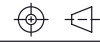
TITLE
WRD-650 Waveguide Section 3 Inch Straight Length with UG Square Cover Flange from 6.5 GHz to 18 GHz in Brass

UNLESS OTHERWISE SPECIFIED LEADING DIMENSIONS ARE INCHES
DIMENSIONS IN [] ARE MILLIMETERS

TOLERANCES: CABLE LENGTH (L) TOLERANCES:

.X = ±.2 [5.08]	FRACTIONS	L ≤ 12 [305] = +1 [25] / -0
.XX = ±.02 [.51]	± 1/32	12 [305] < L ≤ 60 [1524] = +2 [51] / -0
.XXX = ±.005 [.13]	ANGLES ± 1°	60 [1524] < L ≤ 120 [3048] = +4 [102] / -0
		120 [3048] < L ≤ 300 [7620] = +6 [152] / -0
		300 [7620] < L = +5%L / -0

THIRD-ANGLE PROJECTION



THE INFORMATION AND DESIGN IN THIS DOCUMENT IS THE PROPERTY OF FAIRVIEW MICROWAVE CORPORATION. ALL RIGHTS RESERVED.

SHEET 1 OF 1

SCALE N/A

ALL DIMENSIONS SHOWN ARE FOR REFERENCE ONLY.

SIZE A	CAGE CODE 3FKR5	DRAWN BY K.DANG	ITEM NO. FMWRD650S001-3	REV A
-----------	--------------------	--------------------	----------------------------	----------

T-Rev.D