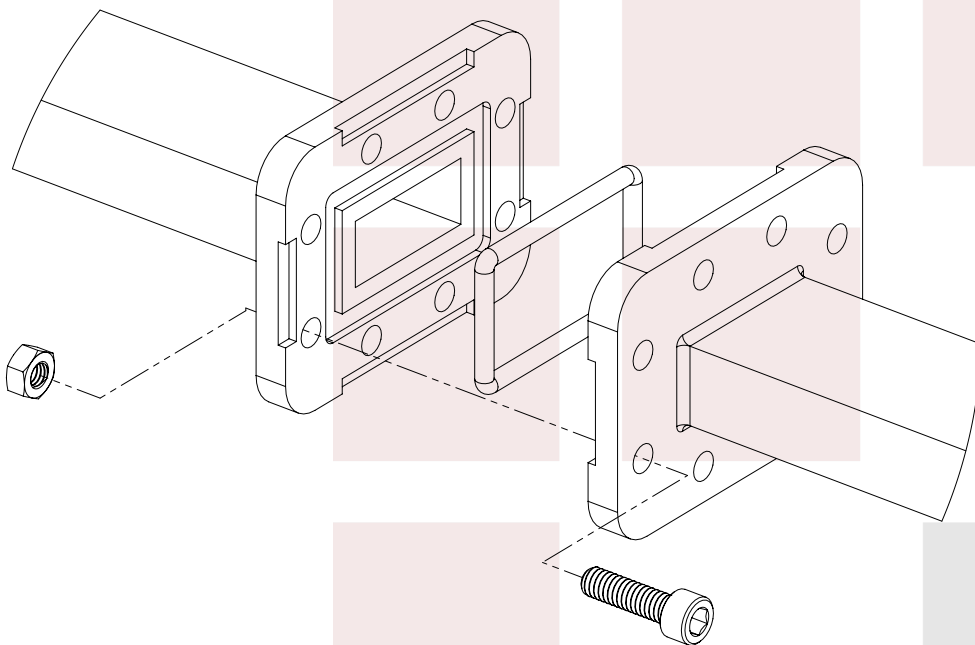


WR-90 Waveguide Gasket kit for CPR Flat Flange is Non-Conductive

This is a gasket kit consisting of a non-conductive gasket, stainless steel screws, nuts, and washers to connect two waveguide flanges together. The FMWGK1007 is the kit made expressly for WR-90 CPR-90G waveguide flange. The gasket is made of Shore "A" 70 silicone elastomer. The screws, nuts and washers are made of stainless steel.

Fairview has waveguide gaskets (both conductive and non-conductive), screws and other accessories that you need for your waveguides. Often people can forget to order items like screws or waveguide supports. Fairview has a full line of waveguide accessories available for same day shipment so that you do not have to wait for weeks to get your system working.



Compliance Certifications (see [product page](#) for current document)

WR-90 Waveguide Gasket kit for CPR Flat Flange is Non-Conductive from Fairview Microwave is in-stock and available to ship same-day. All of our RF/microwave products are available off-the-shelf from our ISO 9001:2008 certified facilities in Allen, Texas. Fairview Microwave is RF on-demand.

For additional information on this product, please click the following link: [WR-90 Waveguide Gasket kit for CPR Flat Flange is Non-Conductive FMWGK1007](#)

URL: <https://www.fairviewmicrowave.com/wr-90-waveguide-gasket-kit-cpr-flat-flange-non-conductive-fmwgk1007-p.aspx>

The information contained in this document is accurate to the best of our knowledge and representative of the part described herein. It may be necessary to make modifications to the part and/or the documentation of the part, in order to implement improvements. Fairview Microwave reserves the right to make such changes as required. Unless otherwise stated, all specifications are nominal. Fairview Microwave does not make any representation or warranty regarding the suitability of the part described herein for any particular purpose, and Fairview Microwave does not assume any liability arising out of the use of any part or documentation.

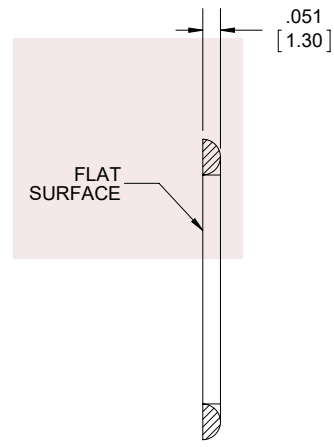
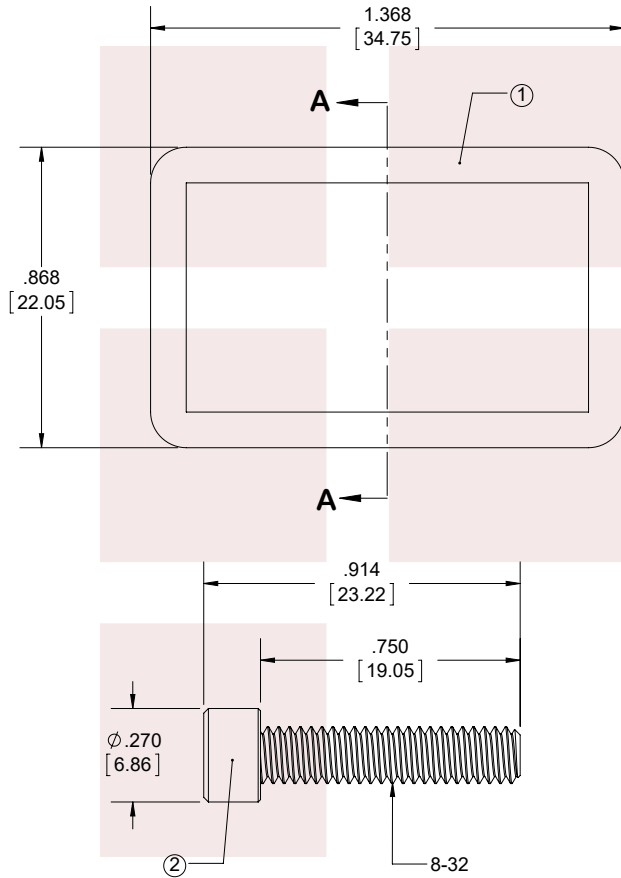


Features:

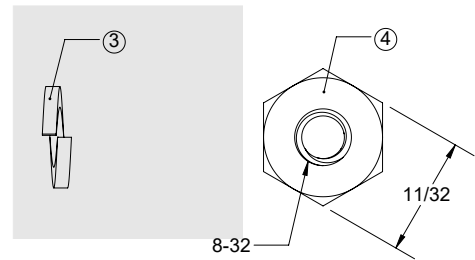
- Non-Conductive
- Shore "A" 70 Silicone Elastomer
- 18-8 Stainless Steel Hardware
- CPR Flat to CPR Grooved

Fairview Microwave
301 Leora Ln., Suite 100
Lewisville, TX 75056
Tel: 1-800-715-4396 / (972) 649-6678
Fax: (972) 649-6689
www.fairviewmicrowave.com
sales@fairviewmicrowave.com

| ITEM NO. | DESCRIPTION | QTY. |
|----------|----------------------|------|
| 1 | GASKET | 1 |
| 2 | 8-32 X 3/4, SCREW | 8 |
| 3 | #8 SPLIT LOCK WASHER | 8 |
| 4 | 8-32 HEX, NUT | 8 |



SECTION A-A



| STANDARD TOLERANCES | |
|---------------------|--------|
| .X | ±0.2 |
| .XX | ±0.01 |
| .XXX | ±0.005 |

*STANDARD TOLERANCES APPLY ONLY TO DIMENSIONS IN INCHES

| | | | | | |
|---|--------|---|--------|--------------------|------|
| FAIRVIEW MICROWAVE INC. ALLEN, TX 75013 WWW.FAIRVIEWMICROWAVE.COM | | NOTES: 1. UNLESS OTHERWISE SPECIFIED ALL DIMENSIONS ARE NOMINAL. 2. ALL SPECIFICATIONS ARE SUBJECT TO CHANGE WITHOUT NOTICE AT ANY TIME. 3. DIMENSIONS ARE IN INCHES [mm]. | | | |
| TITLE WR-90 Waveguide Gasket kit for CPR Flat Flange is Non-Conductive | | DWG NO FMWGK1007 | | CAGE CODE 3FKR5 | |
| CAD FILE | 073117 | SHEET | 1 OF 1 | SCALE | N/A |
| | | SIZE | A | | 9999 |