

## Calibration Kit WR-28 Operating From 26.5 to 40 GHz Including Waveguide to Coax Adapter, Termination, Short, and Offsets Components

FMWCK1005 is a precision WR-28 calibration kit assembled to support standard TRL (Thru-Reflect-Line) and SSLT (Short-Short-Load-Thru) calibrations on industry standard vector network analyzers (VNA). The WR-28 calibration kit comes with two fixed flush waveguide shorts, 1/8 wavelength, 1/4 wavelength and 3/8 wavelength waveguide offsets, one matched waveguide fixed termination and two precision WR-28 waveguide-to-coax adapters. Additional WR-28 precision waveguide straight sections are available for purchase separately. Precision waveguide components in FMWCK1005 are designed to work in full WR-28 band from 26.5 to 40GHz. FMWCK1005 is one of the many calibration kits and T&M components which are readily available in stock and for same-day shipment at Fairview Microwave.

### Configuration

Waveguide Size	WR-28
Connector	2.92mm
Frequency Range	26.5 to 40 GHz



### Features:

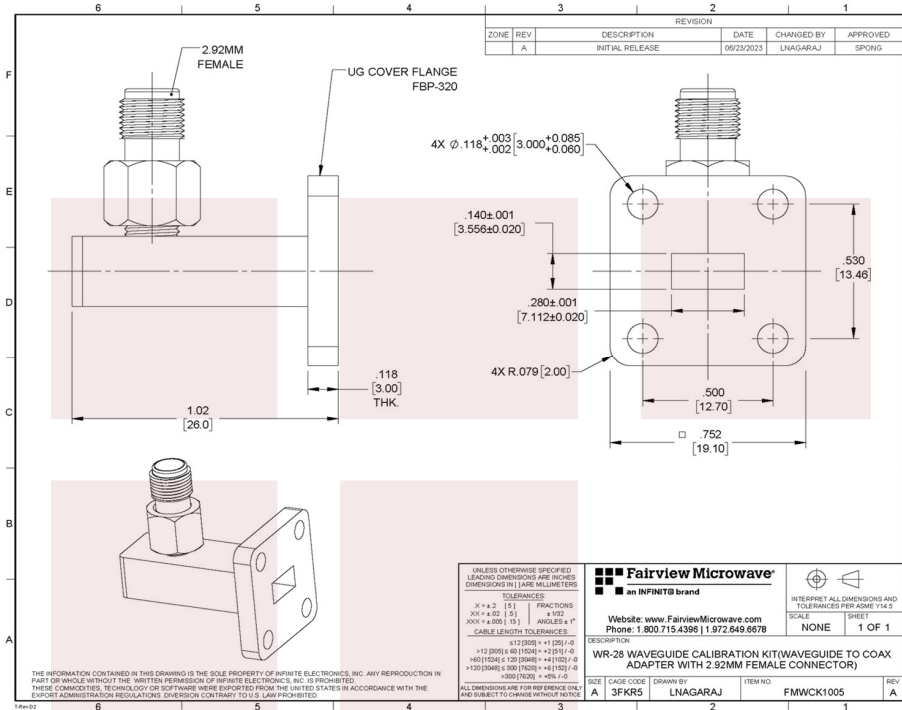
- WR-28 waveguide size
- Frequency range from 26.5 to 40 GHz
- Precision fabricated and manufactured
- Compatible with standard TRL & SSLT calibration techniques
- Additional waveguide test standards available upon request

### WR-28 Calibration Kit Components

Components	Frequency (GHz)	Quantity
WR-28 Waveguide to Coax Adapter with 2.92mm Female Connector	26.5 to 40 GHz	1
WR-28 Waveguide to Coax Adapter with 2.92mm Male Connector	26.5 to 40 GHz	1
WR-28 Waveguide Termination	26.5 to 40 GHz	1
WR-28 Waveguide Short	26.5 to 40 GHz	2
WR-28 Waveguide Offsets (1/8λ Section, 1/4λ Section, 3/8λ Section)	26.5 to 40 GHz	3

Fairview Microwave  
 301 Leora Ln., Suite 100  
 Lewisville, TX 75056  
 Tel: 1-800-715-4396 / (972) 649-6678  
 Fax: (972) 649-6689  
[www.fairviewmicrowave.com](http://www.fairviewmicrowave.com)  
[sales@fairviewmicrowave.com](mailto:sales@fairviewmicrowave.com)

**WR-28 Waveguide to Coax Adapter with  
2.92mm Female Connector**



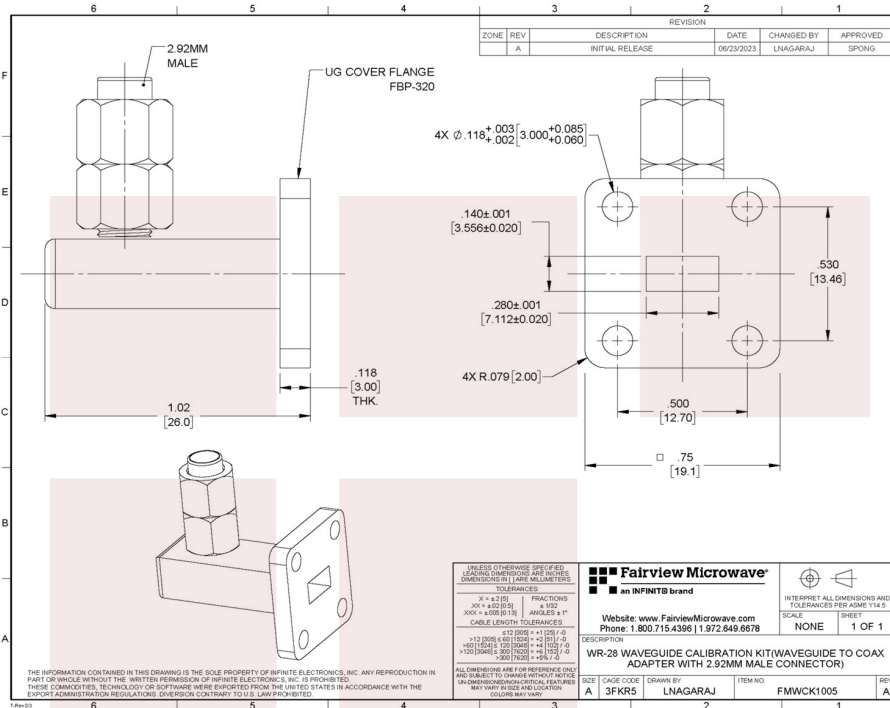
**Electrical Specifications**

Description	Minimum	Typical	Maximum	Units
Frequency Range	26.5		40	GHz
VSWR			1.2:1	
Insertion Loss			0.3	dB

**Mechanical Specifications**

Item	Description	Units
Waveguide Size	WR-28	
Flange Type	UG Square Cover	
RF Connector Type and Gender	2.92mm Female	
Body	Right Angle	
Body Material and Plating	Copper, Gold plated	
Dimensions	1.02 [26 mm] L, 1.09 [27.8 mm] H, 0.752 [19.1 mm] W	inches

**WR-28 Waveguide to Coax Adapter with  
2.92mm Male Connector**



**Electrical Specifications**

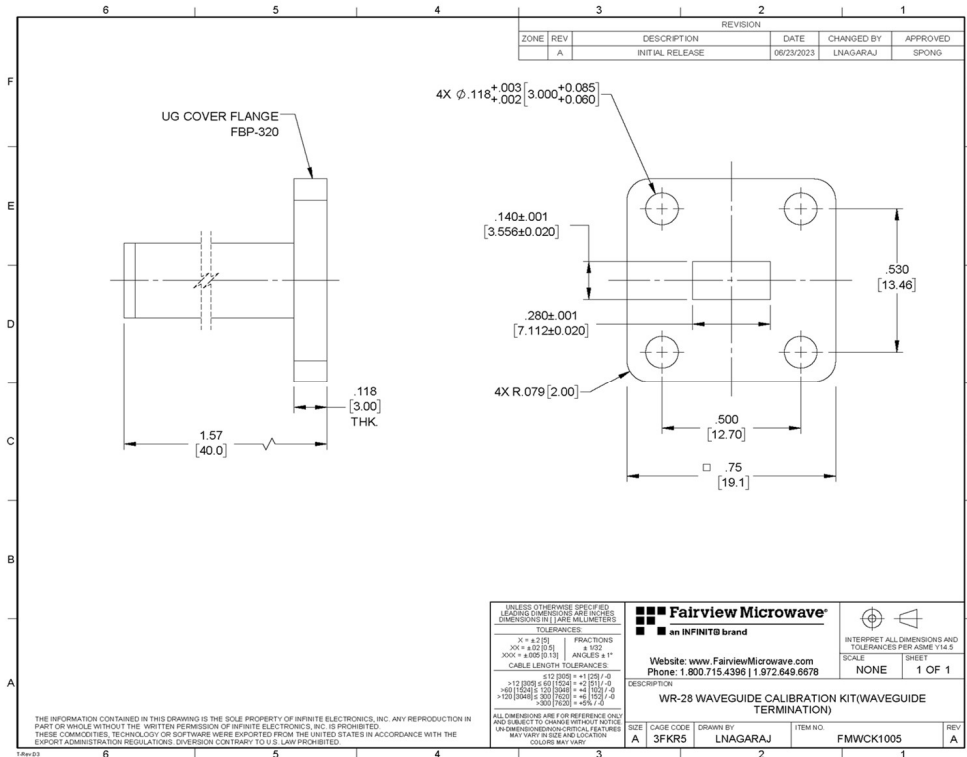
Description	Minimum	Typical	Maximum	Units
Frequency Range	26.5		40	GHz
VSWR			1.2:1	
Insertion Loss			0.3	dB

**Mechanical Specifications**

Item	Description	Units
Waveguide Size	WR-28	
Flange Type	UG Square Cover	
RF Connector Type and Gender	2.92mm Male	
Body	Right Angle	
Body Material and Plating	Copper, Gold plated	
Dimensions	1.02 [26 mm] L, 1.09 [29.4 mm] H, 0.752 [19.1 mm] W	inches



**WR-28 Waveguide Termination**



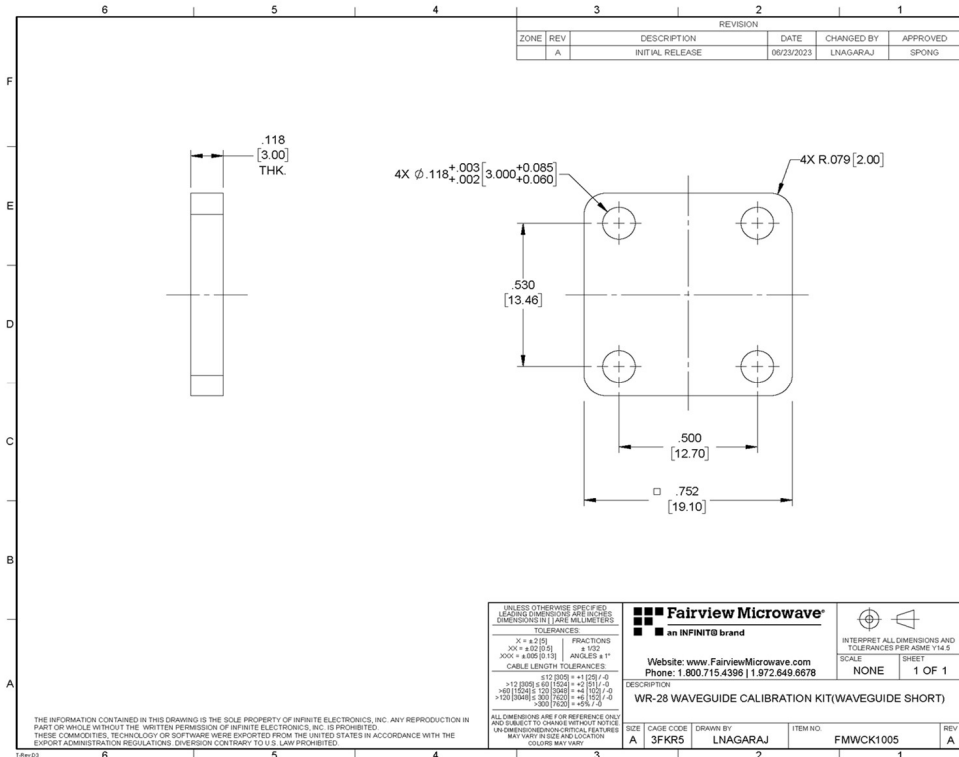
**Electrical Specifications**

Description	Minimum	Typical	Maximum	Units
Frequency Range	26.5		40	GHz
VSWR			1.03:1	

**Mechanical Specifications**

Item	Description	Units
Waveguide Size	WR-28	
Flange Type	UG Square Cover	
Body Material and Plating	Copper, Gold plated	
Dimensions	1.57 [40 mm] L, 0.75 [19.1 mm] H, 0.75 [19.1 mm] W	inches

**WR-28 Waveguide Short**



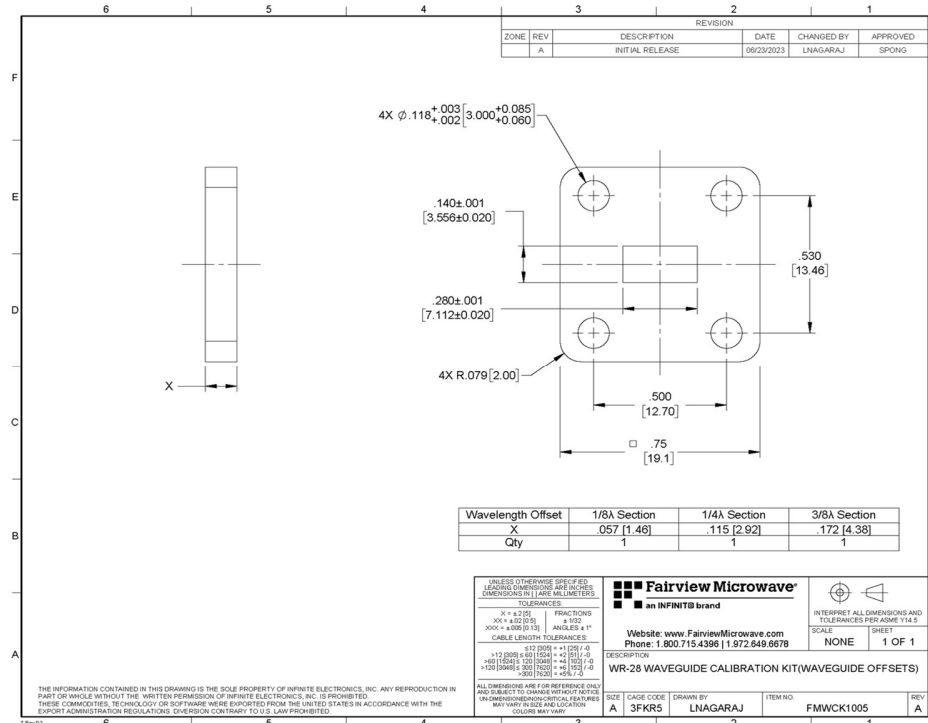
**Electrical Specifications**

Description	Minimum	Typical	Maximum	Units
Frequency Range	26.5		40	GHz
VSWR	60:1			

**Mechanical Specifications**

Item	Description	Units
Waveguide Size	WR-28	
Flange Type	UG Square Cover	
Body Material and Plating	Copper, Gold plated	
Dimensions	0.118 [3 mm] L, 0.752 [19.1 mm] H, 0.752 [19.1 mm] W	inches

**WR-28 Waveguide Offsets (1/8λ Section, 1/4λ Section, 3/8λ Section)**



**Electrical Specifications**

Description	Minimum	Typical	Maximum	Units
Frequency Range	26.5		40	GHz

**Mechanical Specifications**

Item	Description			Units
Waveguide Size	WR-28			
Flange Type	UG Square Cover			
Wavelength Offset	1/8λ Section, 1/4λ Section, 3/8λ Section			
Body Material and Plating	Copper, Gold plated			
Length	1/8λ Section	1/4λ Section	3/8λ Section	
	.057 [1.46 mm]	0.115 [2.92 mm]	0.172 [4.38 mm]	inches
Dimensions (H, W)	0.75 [19.1 mm] H, 0.75 [19.1 mm] W			inches

**Compliance Certifications** (see [product page](#) for current document)

**Plotted and Other Data**

Notes:

- Values at 25 °C, sea level

Calibration Kit WR-28 Operating From 26.5 to 40 GHz Including Waveguide to Coax Adapter, Termination, Short, and Offsets Components from Fairview Microwave is in-stock and available to ship same-day. All of our RF/microwave products are available off-the-shelf from our ISO 9001:2008 certified facilities in Lewisville, Texas. Fairview Microwave is RF on-demand.

For additional information on this product, please click the following link: [Calibration Kit WR-28 Operating From 26.5 to 40 GHz Including Waveguide to Coax Adapter, Termination, Short, and Offsets Components FMWCK1005](#)

URL: <https://www.fairviewmicrowave.com/wr-28-adapter-short-load-offset-40-ghz-fmwck1005-p.aspx>

The information contained in this document is accurate to the best of our knowledge and representative of the part described herein. It may be necessary to make modifications to the part and/or the documentation of the part, in order to implement improvements. Fairview Microwave reserves the right to make such changes as required. Unless otherwise stated, all specifications are nominal. Fairview Microwave does not make any representation or warranty regarding the suitability of the part described herein for any particular purpose, and Fairview Microwave does not assume any liability arising out of the use of any part or documentation.

