

Calibration Kit WR-62 Operating From 11.9 to 18 GHz Including Waveguide to Coax Adapter, Termination, Short, and Offsets Components

FMWCK1002 is a precision WR-62 calibration kit assembled to support standard TRL (Thru-Reflect-Line) and SSLT (Short-Short-Load-Thru) calibrations on industry standard vector network analyzers (VNA). The WR-62 calibration kit comes with two fixed flush waveguide shorts, 1/8 wavelength, 1/4 wavelength and 3/8 wavelength waveguide offsets, one matched waveguide fixed termination and two precision WR-62 waveguide-to-coax adapters. Additional WR-62 precision waveguide straight sections are available for purchase separately. Precision waveguide components in FMWCK1002 are designed to work in full WR-75 band from 11.9 to 18 GHz. FMWCK1002 is one of the many calibration kits and T&M components which are readily available in stock and for same-day shipment at Fairview Microwave.

Configuration

Waveguide Size	WR-62
Connector	SMA
Frequency Range	11.9 to 18 GHz

Features:

- WR-62 waveguide size
- Frequency range from 11.9 to 18 GHz
- Precision fabricated and manufactured
- Compatible with standard TRL & SSLT calibration techniques
- Additional waveguide test standards available upon request

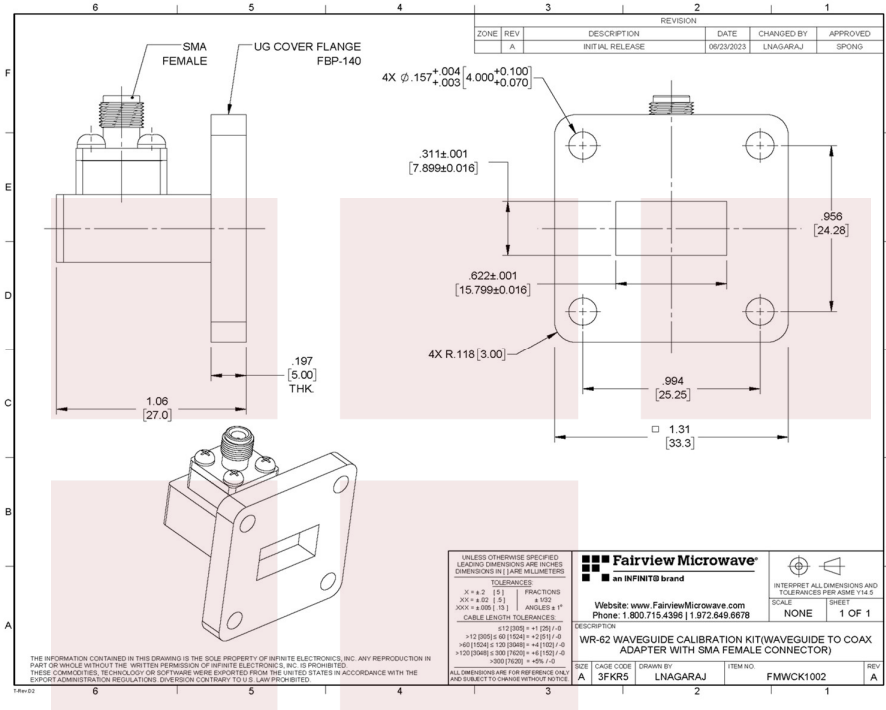


WR-62 Calibration Kit Components

Components	Frequency (GHz)	Quantity
WR-62 Waveguide to Coax Adapter with SMA Female Connector	11.9 to 18 GHz	1
WR-62 Waveguide to Coax Adapter with SMA Male Connector	11.9 to 18 GHz	1
WR-62 Waveguide Termination	11.9 to 18 GHz	1
WR-62 Waveguide Short	11.9 to 18 GHz	2
WR-62 Waveguide Offsets (1/8λ Section, 1/4λ Section, 3/8λ Section)	11.9 to 18 GHz	3

Fairview Microwave
 301 Leora Ln., Suite 100
 Lewisville, TX 75056
 Tel: 1-800-715-4396 / (972) 649-6678
 Fax: (972) 649-6689
www.fairviewmicrowave.com
sales@fairviewmicrowave.com

WR-62 Waveguide to Coax Adapter with SMA Female Connector



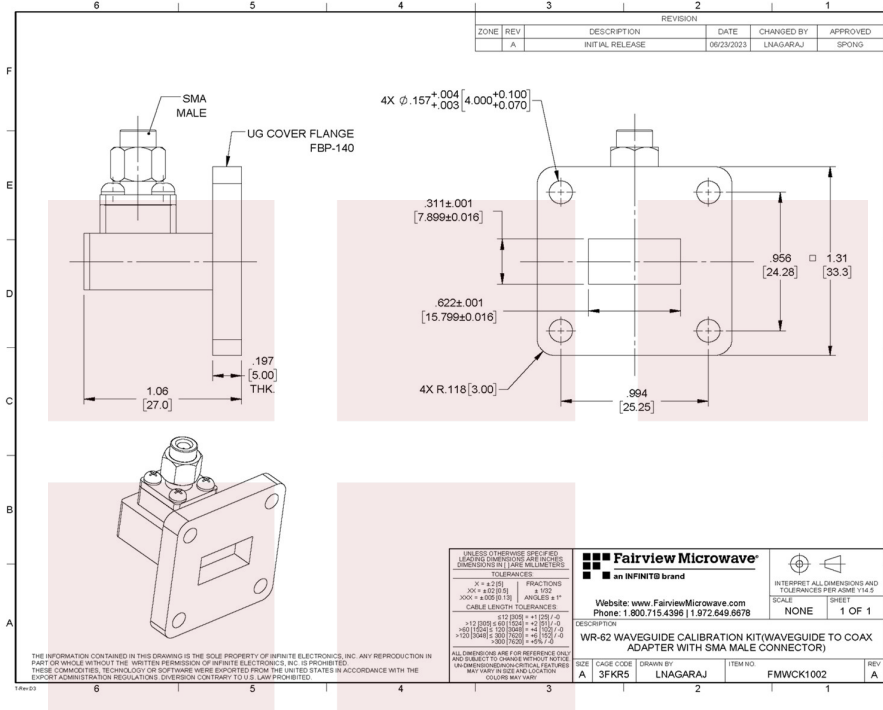
Electrical Specifications

Description	Minimum	Typical	Maximum	Units
Frequency Range	11.9		18	GHz
VSWR			1.2:1	
Insertion Loss			0.2	dB

Mechanical Specifications

Item	Description	Units
Waveguide Size	WR-62	
Flange Type	UG Square Cover	
RF Connector Type and Gender	SMA Female	
Body	Right Angle	
Body Material and Plating	Copper, Silver plated	
Housing	Black Paint	
Dimensions	1.06 [27 mm] L, 1.47 [37.5 mm] H, 1.31 [33.3 mm] W	inches

WR-62 Waveguide to Coax Adapter with SMA Male Connector



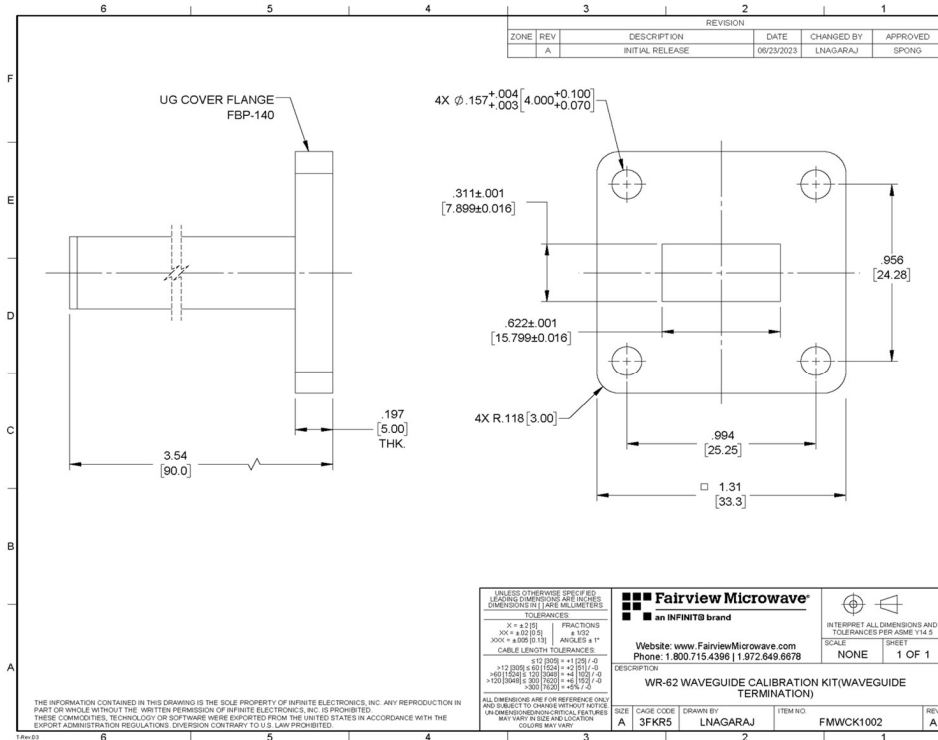
Electrical Specifications

Description	Minimum	Typical	Maximum	Units
Frequency Range	11.9		18	GHz
VSWR			1.2:1	
Insertion Loss			0.2	dB

Mechanical Specifications

Item	Description	Units
Waveguide Size	WR-62	
Flange Type	UG Square Cover	
RF Connector Type and Gender	SMA Male	
Body	Right Angle	
Body Material and Plating	Copper, Silver plated	
Housing	Black Paint	
Dimensions	1.06 [27 mm] L, 1.47 [37.5 mm] H, 1.56 [39.7 mm] W	inches

WR-62 Waveguide Termination



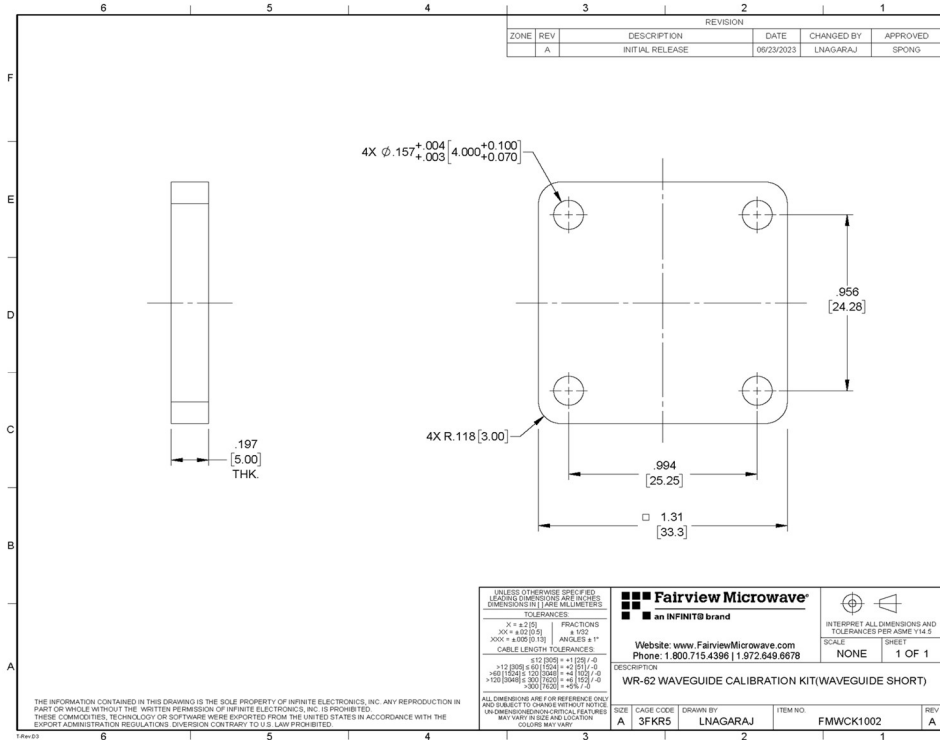
Electrical Specifications

Description	Minimum	Typical	Maximum	Units
Frequency Range	11.9		18	GHz
VSWR			1.03:1	

Mechanical Specifications

Item	Description	Units
Waveguide Size	WR-62	
Flange Type	UG Square Cover	
Body Material and Plating	Copper, Silver plated	
Housing	Black Paint	
Dimensions	3.54 [90 mm] L, 1.31 [33.3 mm] H, 1.31 [33.3 mm] W	inches

WR-62 Waveguide Short



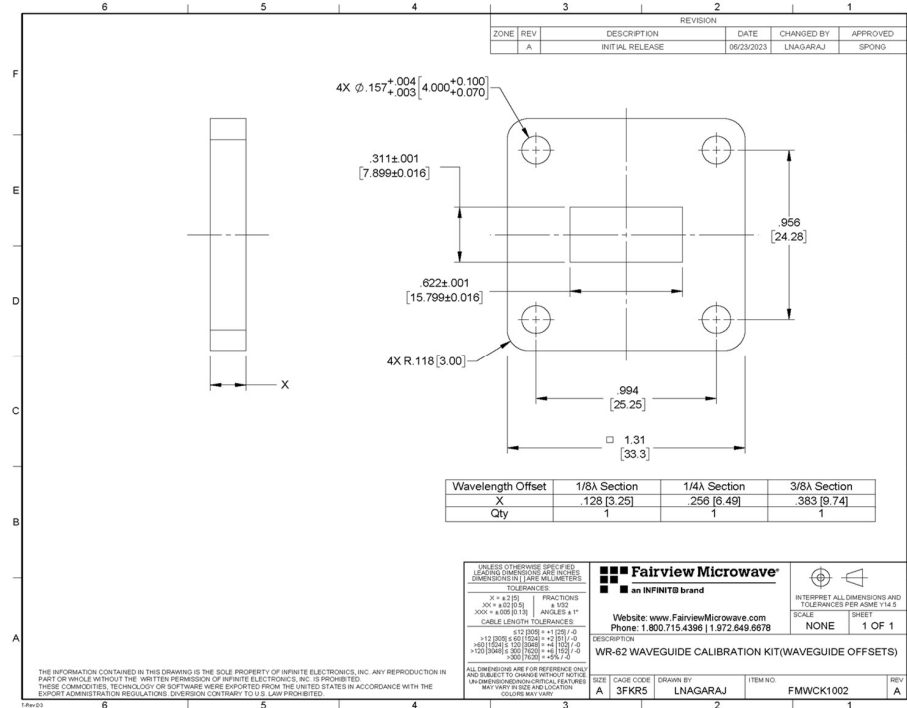
Electrical Specifications

Description	Minimum	Typical	Maximum	Units
Frequency Range	11.9		18	GHz
VSWR	60:1			

Mechanical Specifications

Item	Description	Units
Waveguide Size	WR-62	
Flange Type	UG Square Cover	
Body Material and Plating	Copper, Silver plated	
Housing	Black Paint	
Dimensions	0.197 [5 mm] L, 1.31 [33.3 mm] H, 1.31 [33.3 mm] W	inches

WR-62 Waveguide Offsets (1/8λ Section, 1/4λ Section, 3/8λ Section)



Electrical Specifications

Description	Minimum	Typical	Maximum	Units
Frequency Range	11.9		18	GHz

Mechanical Specifications

Item	Description			Units
Waveguide Size	WR-62			
Flange Type	UG Square Cover			
Wavelength Offset	1/8λ Section, 1/4λ Section, 3/8λ Section			
Body Material and Plating	Copper, Silver plated			
Housing	Black Paint			
Length	1/8λ Section	1/4λ Section	3/8λ Section	
	0.128 [3.25 mm]	0.256 [6.49 mm]	0.383 [9.74 mm]	inches
Dimensions (H, W)	1.31 [33.3 mm] H, 1.31 [33.3 mm] W			inches

Compliance Certifications (see [product page](#) for current document)

Plotted and Other Data

Notes:

- Values at 25 °C, sea level

Calibration Kit WR-62 Operating From 11.9 to 18 GHz Including Waveguide to Coax Adapter, Termination, Short, and Offsets Components from Fairview Microwave is in-stock and available to ship same-day. All of our RF/microwave products are available off-the-shelf from our ISO 9001:2008 certified facilities in Lewisville, Texas. Fairview Microwave is RF on-demand.

For additional information on this product, please click the following link: [Calibration Kit WR-62 Operating From 11.9 to 18 GHz Including Waveguide to Coax Adapter, Termination, Short, and Offsets Components FMWCK1002](#)

URL: <https://www.fairviewmicrowave.com/wr-62-adapter-short-load-offset-18-ghz-fmwck1002-p.aspx>

The information contained in this document is accurate to the best of our knowledge and representative of the part described herein. It may be necessary to make modifications to the part and/or the documentation of the part, in order to implement improvements. Fairview Microwave reserves the right to make such changes as required. Unless otherwise stated, all specifications are nominal. Fairview Microwave does not make any representation or warranty regarding the suitability of the part described herein for any particular purpose, and Fairview Microwave does not assume any liability arising out of the use of any part or documentation.

