

## WR-284 CMR-284 Flange to SMA Female Waveguide to Coax Adapter Operating from 2.6 GHz to 3.95 GHz

The FMWCA9834 is a waveguide to coaxial adapter operating in the S band with a 2.6 to 3.95 GHz frequency range. This adapter offers a WR-284 waveguide interface size coupled with a precision tolerance CMR-284 flange. The FMWCA9834 is constructed of aluminum to ensure durability and repeatable RF performance. The SMA Female connector mates with commercially available 2.92mm and 3.5mm connectors. The package is REACH and RoHS compliant.

### Configuration

|                |             |
|----------------|-------------|
| Waveguide Size | WR-284      |
| Flange         | CMR-284     |
| RF Connector   | SMA Female  |
| Impedance      | 50 Ohms     |
| Body Geometry  | Right Angle |

### Electrical Specifications

| Description     | Min | Typ | Max    | Units |
|-----------------|-----|-----|--------|-------|
| Frequency Range | 2.6 |     | 3.95   | GHz   |
| VSWR            |     |     | 1.25:1 |       |

### Mechanical Specifications

#### Size

|        |                    |
|--------|--------------------|
| Length | 3.84 in [97.54 mm] |
| Width  | 2.5 in [63.5 mm]   |
| Height | 2.47 in [62.74 mm] |
| Weight | 0.5 lbs [226.8 g]  |

#### RF Connector

|                |            |
|----------------|------------|
| Connector Type | SMA Female |
|----------------|------------|

#### Waveguide Interface

|                           |          |
|---------------------------|----------|
| Waveguide Type            | WR-284   |
| Flange Type               | CMR-284  |
| Body Material and Plating | Aluminum |

**Compliance Certifications** (see [product page](#) for current document)

### Plotted and Other Data

Notes:

- Values at +25 °C, sea level unless stated otherwise



### Features:

- 2.6 to 3.95 GHz Frequency Range
- WR-284 Waveguide Interface
- CMR-284 Flange
- SMA Female RF Interface
- Right Angle

### Applications:

- Test Benches
- Radar
- Satellite
- Microwave Radio Systems
- Military and Space
- Communication Systems

Fairview Microwave  
301 Leora Ln., Suite 100  
Lewisville, TX 75056  
Tel: 1-800-715-4396 / (972) 649-6678  
Fax: (972) 649-6689  
[www.fairviewmicrowave.com](http://www.fairviewmicrowave.com)  
[sales@fairviewmicrowave.com](mailto:sales@fairviewmicrowave.com)

WR-284 CMR-284 Flange to SMA Female Waveguide to Coax Adapter Operating from 2.6 GHz to 3.95 GHz from Fairview Microwave is in-stock and available to ship same-day. All of our RF/microwave products are available off-the-shelf from our ISO 9001:2008 certified facilities in Lewisville, Texas. Fairview Microwave is RF on-demand.

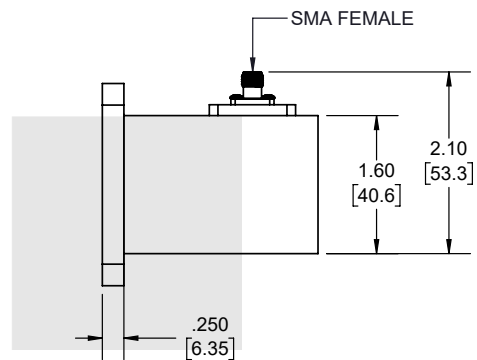
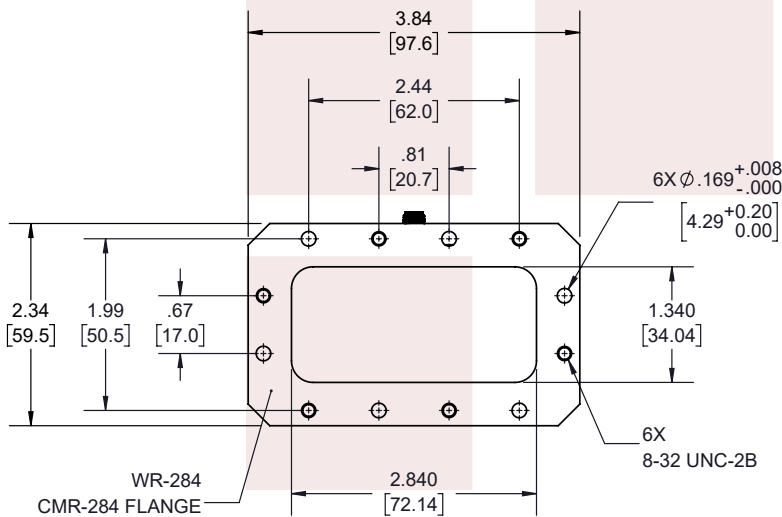
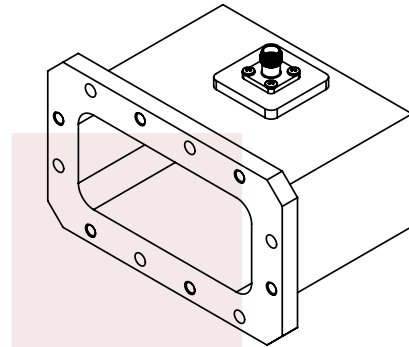
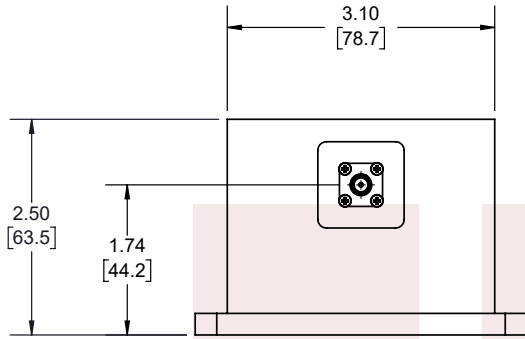
For additional information on this product, please click the following link: [WR-284 CMR-284 Flange to SMA Female Waveguide to Coax Adapter Operating from 2.6 GHz to 3.95 GHz FMWCA9834](#)

URL: <https://www.fairviewmicrowave.com/wr284-sma-female-waveguide-coax-adapter-cmr-284-fmwca9834-p.aspx>

The information contained in this document is accurate to the best of our knowledge and representative of the part described herein. It may be necessary to make modifications to the part and/or the documentation of the part, in order to implement improvements. Fairview Microwave reserves the right to make such changes as required. Unless otherwise stated, all specifications are nominal. Fairview Microwave does not make any representation or warranty regarding the suitability of the part described herein for any particular purpose, and Fairview Microwave does not assume any liability arising out of the use of any part or documentation.



| REVISIONS |                 |           |          |
|-----------|-----------------|-----------|----------|
| REV.      | DESCRIPTION     | DATE      | APPROVED |
| A         | INITIAL RELEASE | 3/16/2022 | S. PONG  |



THESE COMMODITIES, TECHNOLOGY OR SOFTWARE WERE EXPORTED FROM THE UNITED STATES IN ACCORDANCE WITH THE EXPORT ADMINISTRATION REGULATIONS. DIVERSION CONTRARY TO U.S. LAW PROHIBITED.

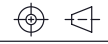
TITLE  
WR-284 CMR-284 Flange to SMA Female Waveguide to Coax Adapter Operating from 2.6 GHz to 3.95 GHz

UNLESS OTHERWISE SPECIFIED LEADING DIMENSIONS ARE INCHES  
DIMENSIONS IN [ ] ARE MILLIMETERS

TOLERANCES: CABLE LENGTH (L) TOLERANCES:

|                    |             |   |
|--------------------|-------------|---|
| .X = ±.2 [5.08]    | FRACTIONS   | L ≤ 12 [305] = +1 [25] / -0                 |
| .XX = ±.02 [.51]   | ± 1/32      | 12 [305] < L ≤ 60 [1524] = +2 [51] / -0     |
| .XXX = ±.005 [.13] | ANGLES ± 1° | 60 [1524] < L ≤ 120 [3048] = +4 [102] / -0  |
|                    |             | 120 [3048] < L ≤ 300 [7620] = +6 [152] / -0 |
|                    |             | 300 [7620] < L = +5%L / -0                  |

THIRD-ANGLE PROJECTION



THE INFORMATION AND DESIGN IN THIS DOCUMENT IS THE PROPERTY OF FAIRVIEW MICROWAVE CORPORATION. ALL RIGHTS RESERVED.

SHEET 1 OF 1

ALL DIMENSIONS SHOWN ARE FOR REFERENCE ONLY.

SCALE N/A

|           |                    |                    |                       |          |
|-----------|--------------------|--------------------|-----------------------|----------|
| SIZE<br>A | CAGE CODE<br>3FKR5 | DRAWN BY<br>K.Dang | ITEM NO.<br>FMWCA9834 | REV<br>A |
|-----------|--------------------|--------------------|-----------------------|----------|

T-Rev.D