

## WR-28 to 2.92mm Female Waveguide to Coax Adapter UBR320 with 26.5 GHz to 40 GHz in Aluminum

The FMWCA1104 is a right angle waveguide to coaxial adapter operating at a frequency range of 26.5 GHz to 40 GHz. This adapter offers a WR-28 waveguide interface size coupled with a precision tolerance UBR320 flange. The FMWCA1104 is constructed of aluminum and painted gray to ensure durability. The coaxial connector offered by this adapter uses an 2.92mm Female connector.

### Configuration

Waveguide Size	WR-28
Flange	UBR320
RF Connector	2.92mm Female
Body Geometry	Right Angle

### Electrical Specifications

Description	Min	Typ	Max	Units
Frequency Range	26.5		40	GHz
VSWR			1.25:1	
Insertion Loss			0.4	dB
Input Power (CW)			20	Watts

### Mechanical Specifications

<b>Size</b>	
Length	1.06 in [26.92 mm]
Width	0.75 in [19.05 mm]
Height	0.75 in [19.05 mm]
Weight	1 lbs [453.59 g]

<b>RF Connector</b>	
Connector Type	2.92mm Female

<b>Waveguide Interface</b>	
Waveguide Type	WR-28
Flange Type	UBR320
Body Material and Plating	Aluminum

### Environmental Specifications

<b>Temperature</b>	
Operating Range	-20 to +70 deg C
Storage Range	-40 to +85 deg C

**Compliance Certifications** (see [product page](#) for current document)

### Plotted and Other Data

- Notes:
- Values at +25 °C, sea level unless stated otherwise



### Features:

- 26.5 to 40 GHz Frequency Range
- WR-28 Waveguide Interface
- UBR320 Flange
- 2.92mm Female RF Interface
- Comprehensive waveguide offering also include E-Bends, H-Bends, Sections, Filters, Terminations, Couplers, and more.

### Applications:

- Test Benches
- Radar
- Satellite
- Microwave Radio Systems
- Military and Space
- Communication Systems

Fairview Microwave  
 301 Leora Ln., Suite 100  
 Lewisville, TX 75056  
 Tel: 1-800-715-4396 / (972) 649-6678  
 Fax: (972) 649-6689  
[www.fairviewmicrowave.com](http://www.fairviewmicrowave.com)  
[sales@fairviewmicrowave.com](mailto:sales@fairviewmicrowave.com)

WR-28 to 2.92mm Female Waveguide to Coax Adapter UBR320 with 26.5 GHz to 40 GHz in Aluminum from Fairview Microwave is in-stock and available to ship same-day. All of our RF/microwave products are available off-the-shelf from our ISO 9001:2008 certified facilities in Lewisville, Texas. Fairview Microwave is RF on-demand.

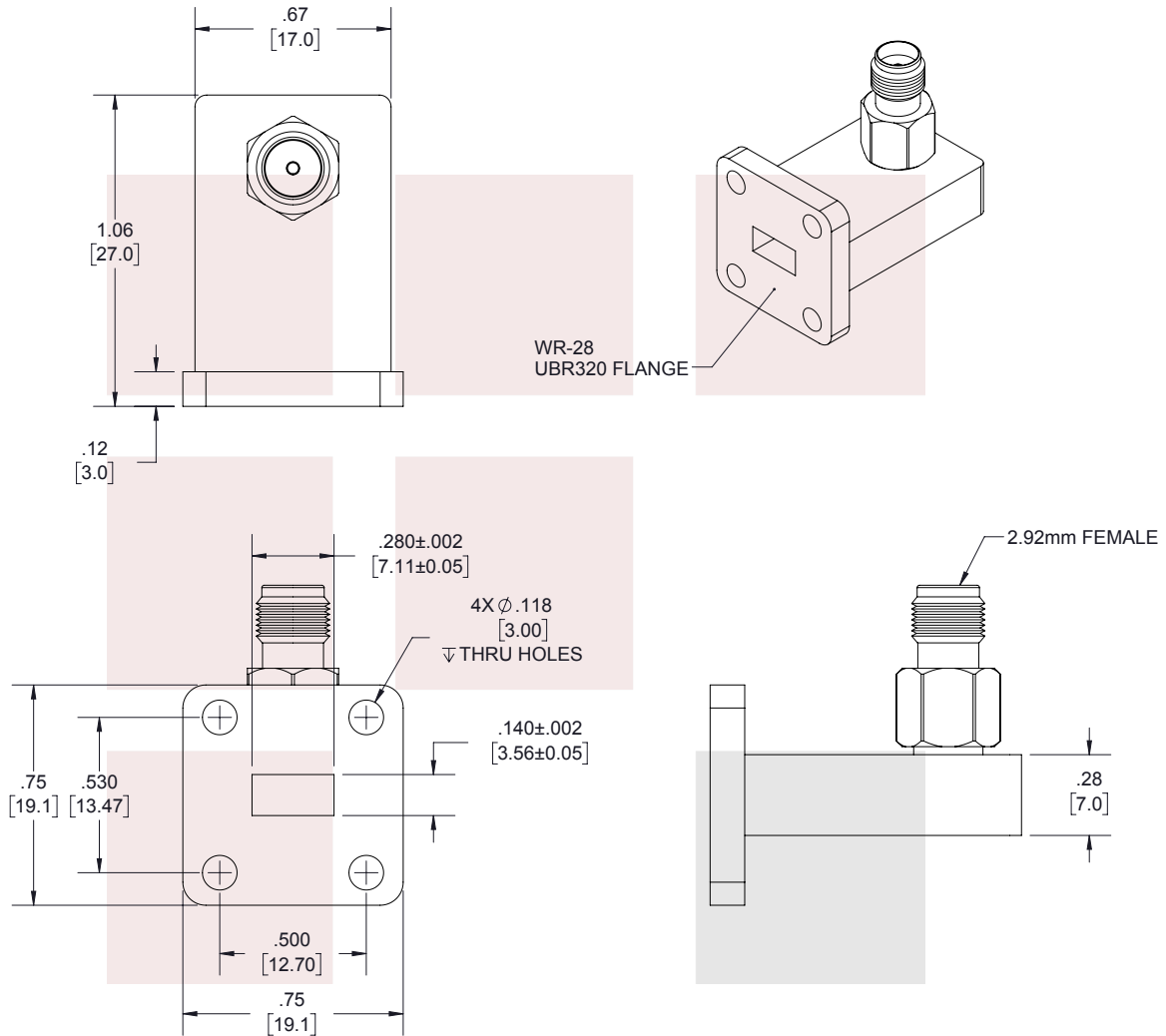
For additional information on this product, please click the following link: [WR-28 to 2.92mm Female Waveguide to Coax Adapter UBR320 with 26.5 GHz to 40 GHz in Aluminum FMWCA1104](#)

URL: <https://www.fairviewmicrowave.com/wr28-2.92mm-female-waveguide-coax-adapter-ubr320-fmwca1104-p.aspx>

The information contained in this document is accurate to the best of our knowledge and representative of the part described herein. It may be necessary to make modifications to the part and/or the documentation of the part, in order to implement improvements. Fairview Microwave reserves the right to make such changes as required. Unless otherwise stated, all specifications are nominal. Fairview Microwave does not make any representation or warranty regarding the suitability of the part described herein for any particular purpose, and Fairview Microwave does not assume any liability arising out of the use of any part or documentation.



REVISIONS			
DESCRIPTION	REV.	DATE	APPROVED
INITIAL RELEASE	A	05/14/2020	SPONG



LABEL:

FAIRVIEW MICROWAVE  
FMWCA1104  
D/C: YYWW

THESE COMMODITIES, TECHNOLOGY OR SOFTWARE WERE EXPORTED FROM THE UNITED STATES IN ACCORDANCE WITH THE EXPORT ADMINISTRATION REGULATIONS. DIVERSION CONTRARY TO U.S. LAW PROHIBITED.

TITLE

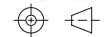
WR-28 to 2.92mm Female Waveguide to Coax Adapter  
UBR320 with 26.5 GHz to 40 GHz in Aluminum

UNLESS OTHERWISE SPECIFIED LEADING DIMENSIONS ARE INCHES  
DIMENSIONS IN [ ] ARE MILLIMETERS

TOLERANCES: CABLE LENGTH (L) TOLERANCES:

.X = ±.2 [5.08]	FRACTIONS	L ≤ 12 [305] = +1 [25] / -0
.XX = ±.02 [.51]	± 1/32	12 [305] < L ≤ 60 [1524] = +2 [51] / -0
.XXX = ±.005 [.13]	ANGLES ± 1°	60 [1524] < L ≤ 120 [3048] = +4 [102] / -0
		120 [3048] < L ≤ 300 [7620] = +6 [152] / -0
		300 [7620] < L = +5%L / -0

THIRD-ANGLE PROJECTION



THE INFORMATION AND DESIGN IN THIS DOCUMENT IS THE PROPERTY OF FAIRVIEW MICROWAVE CORPORATION. ALL RIGHTS RESERVED.

SHEET 1 OF 1

ALL DIMENSIONS SHOWN ARE FOR REFERENCE ONLY.

SCALE N/A

SIZE A	CAGE CODE 3FKR5	DRAWN BY BPUCHASKI	ITEM NO. FMWCA1104	REV A
-----------	--------------------	-----------------------	-----------------------	----------

T-Rev.D