

## WR-42 to SMA Female Waveguide to Coax Adapter UBR220 with 17.6 GHz to 26.7 GHz in Brass

The FMWCA1100 is a right angle waveguide to coaxial adapter operating at a frequency range of 17.6 GHz to 26.7 GHz. This adapter offers a WR-42 waveguide interface size coupled with a precision tolerance UBR220 flange. The FMWCA1100 is constructed of brass and painted gray to ensure durability. The coaxial connector offered by this adapter uses an SMA Female connector.

### Configuration

Waveguide Size	WR-42
Flange	UBR220
RF Connector	SMA Female
Body Geometry	Right Angle

### Electrical Specifications

Description	Min	Typ	Max	Units
Frequency Range	17.6		26.7	GHz
VSWR			1.25:1	
Insertion Loss			0.5	dB
Input Power (CW)			30	Watts

### Mechanical Specifications

<b>Size</b>	
Length	1.18 in [29.97 mm]
Width	0.88 in [22.35 mm]
Height	0.88 in [22.35 mm]
Weight	1 lbs [453.59 g]

<b>RF Connector</b>	
Connector Type	SMA Female

<b>Waveguide Interface</b>	
Waveguide Type	WR-42
Flange Type	UBR220
Body Material and Plating	Brass

### Environmental Specifications

<b>Temperature</b>	
Operating Range	-40 to +70 deg C

**Compliance Certifications** (see [product page](#) for current document)

### Plotted and Other Data

- Notes:
- Values at +25 °C, sea level unless stated otherwise



### Features:

- 17.6 to 26.7 GHz Frequency Range
- WR-42 Waveguide Interface
- UBR220 Flange
- SMA Female RF Interface
- Comprehensive waveguide offering also include E-Bends, H-Bends, Sections, Filters, Terminations, Couplers, and more.

### Applications:

- Test Benches
- Radar
- Satellite
- Microwave Radio Systems
- Military and Space
- Communication Systems

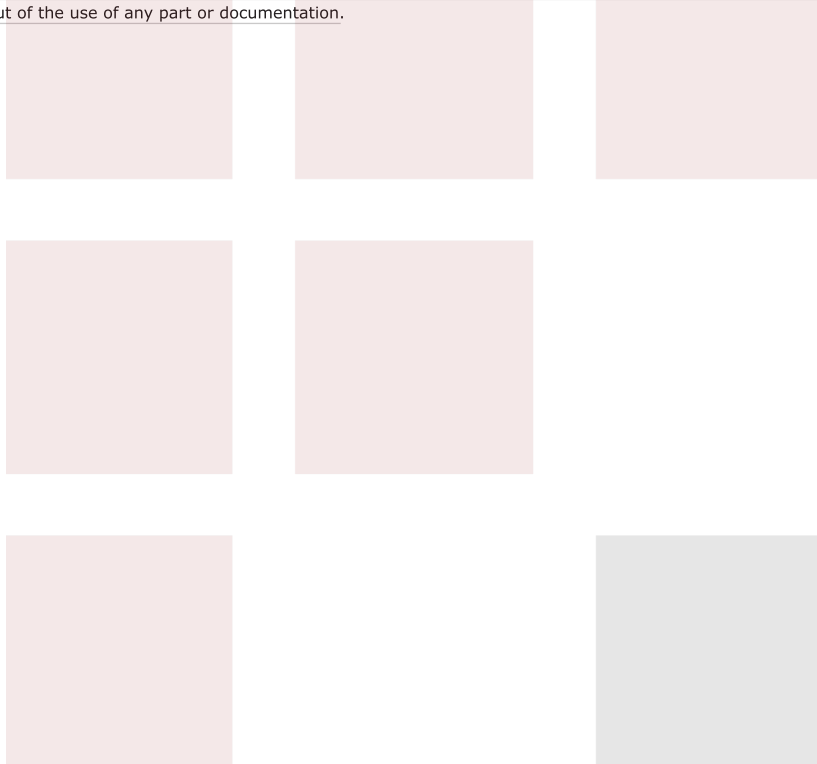
Fairview Microwave  
301 Leora Ln., Suite 100  
Lewisville, TX 75056  
Tel: 1-800-715-4396 / (972) 649-6678  
Fax: (972) 649-6689  
[www.fairviewmicrowave.com](http://www.fairviewmicrowave.com)  
[sales@fairviewmicrowave.com](mailto:sales@fairviewmicrowave.com)

WR-42 to SMA Female Waveguide to Coax Adapter UBR220 with 17.6 GHz to 26.7 GHz in Brass from Fairview Microwave is in-stock and available to ship same-day. All of our RF/microwave products are available off-the-shelf from our ISO 9001:2008 certified facilities in Lewisville, Texas. Fairview Microwave is RF on-demand.

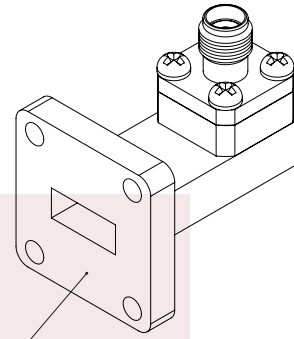
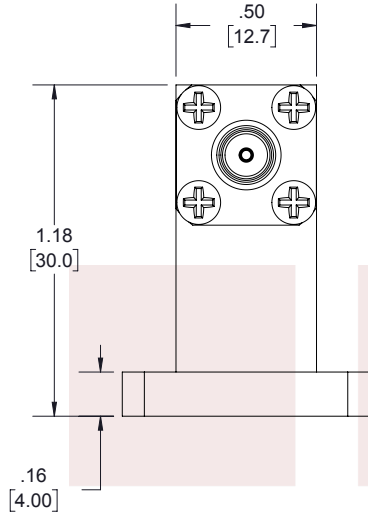
For additional information on this product, please click the following link: [WR-42 to SMA Female Waveguide to Coax Adapter UBR220 with 17.6 GHz to 26.7 GHz in Brass FMWCA1100](#)

URL: <https://www.fairviewmicrowave.com/wr42-sma-female-waveguide-coax-adapter-ubr220-fmwca1100-p.aspx>

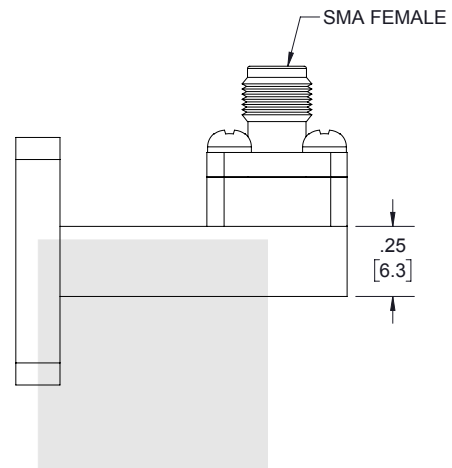
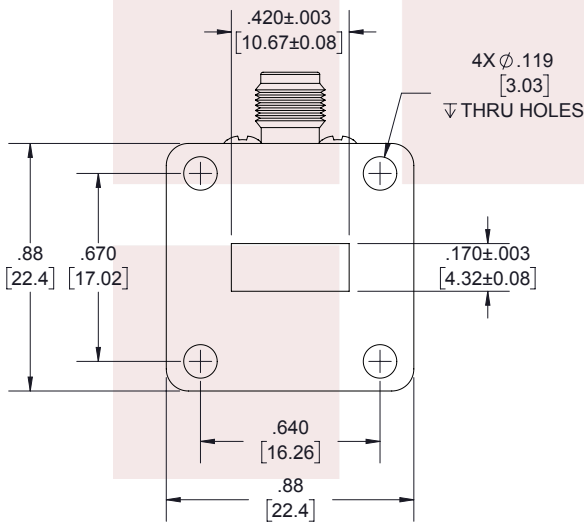
The information contained in this document is accurate to the best of our knowledge and representative of the part described herein. It may be necessary to make modifications to the part and/or the documentation of the part, in order to implement improvements. Fairview Microwave reserves the right to make such changes as required. Unless otherwise stated, all specifications are nominal. Fairview Microwave does not make any representation or warranty regarding the suitability of the part described herein for any particular purpose, and Fairview Microwave does not assume any liability arising out of the use of any part or documentation.



REVISIONS			
REV.	DESCRIPTION	DATE	APPROVED
A	INITIAL RELEASE	05/11/2020	SPONG



WR-42  
UBR220 FLANGE



LABEL:

FAIRVIEW MICROWAVE  
FMWCA1100  
D/C: YYWW

THESE COMMODITIES, TECHNOLOGY OR SOFTWARE WERE EXPORTED FROM THE UNITED STATES IN ACCORDANCE WITH THE EXPORT ADMINISTRATION REGULATIONS. DIVERSION CONTRARY TO U.S. LAW PROHIBITED.

TITLE

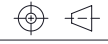
WR-42 to SMA Female Waveguide to Coax Adapter  
UBR220 with 17.6 GHz to 26.7 GHz in Brass

UNLESS OTHERWISE SPECIFIED LEADING DIMENSIONS ARE INCHES  
DIMENSIONS IN [ ] ARE MILLIMETERS

TOLERANCES: CABLE LENGTH (L) TOLERANCES:

.X = ±.2 [5.08]	FRACTIONS	L ≤ 12 [305] = +1 [25] / -0
.XX = ±.02 [.51]	± 1/32	12 [305] < L ≤ 60 [1524] = +2 [51] / -0
.XXX = ±.005 [.13]	ANGLES ± 1°	60 [1524] < L ≤ 120 [3048] = +4 [102] / -0
		120 [3048] < L ≤ 300 [7620] = +6 [152] / -0
		300 [7620] < L = +5%L / -0

THIRD-ANGLE PROJECTION



THE INFORMATION AND DESIGN IN THIS DOCUMENT IS THE PROPERTY OF FAIRVIEW MICROWAVE CORPORATION. ALL RIGHTS RESERVED.

SHEET 1 OF 1

ALL DIMENSIONS SHOWN ARE FOR REFERENCE ONLY.

SCALE

N/A

SIZE A	CAGE CODE 3FKR5	DRAWN BY BPUCHASKI	ITEM NO. FMWCA1100	REV A
-----------	--------------------	-----------------------	-----------------------	----------

T-Rev.D