

## WR-284 to Type N Female Waveguide to Coax Adapter UDR32 with 2.6 GHz to 3.95 GHz in Aluminum

The FMWCA1081 is a right angle waveguide to coaxial adapter operating at a frequency range of 2.6 GHz to 3.95 GHz. This adapter offers a WR-284 waveguide interface size coupled with a precision tolerance UDR32 flange. The FMWCA1081 is constructed of aluminum and painted gray to ensure durability. The coaxial connector offered by this adapter uses an N Female connector.

### Configuration

|                |             |
|----------------|-------------|
| Waveguide Size | WR-284      |
| Flange         | UDR32       |
| RF Connector   | N Female    |
| Body Geometry  | Right Angle |

### Electrical Specifications

| Description      | Min | Typ | Max    | Units |
|------------------|-----|-----|--------|-------|
| Frequency Range  | 2.6 |     | 3.95   | GHz   |
| VSWR             |     |     | 1.25:1 |       |
| Insertion Loss   |     |     | 0.2    | dB    |
| Input Power (CW) |     |     | 100    | Watts |

### Mechanical Specifications

|             |                    |
|-------------|--------------------|
| <b>Size</b> |                    |
| Length      | 2.83 in [71.88 mm] |
| Width       | 4.5 in [114.3 mm]  |
| Height      | 3 in [76.2 mm]     |

|                     |          |
|---------------------|----------|
| <b>RF Connector</b> |          |
| Connector Type      | N Female |

|                            |          |
|----------------------------|----------|
| <b>Waveguide Interface</b> |          |
| Waveguide Type             | WR-284   |
| Flange Type                | UDR32    |
| Body Material and Plating  | Aluminum |

**Compliance Certifications** (see [product page](#) for current document)

### Plotted and Other Data

Notes:

- Values at +25 °C, sea level unless stated otherwise



### Features:

- 2.6 GHz to 3.95 GHz Frequency Range
- WR-284 Waveguide Interface
- UDR32 Flange
- N Female RF Interface
- Comprehensive waveguide offering also include E-Bends, H-Bends, Sections, Filters, Terminations, Couplers, and more.

### Applications:

- Test Benches
- Radar
- Satellite
- Microwave Radio Systems
- Military and Space
- Communication Systems

Fairview Microwave  
301 Leora Ln., Suite 100  
Lewisville, TX 75056  
Tel: 1-800-715-4396 / (972) 649-6678  
Fax: (972) 649-6689  
[www.fairviewmicrowave.com](http://www.fairviewmicrowave.com)  
[sales@fairviewmicrowave.com](mailto:sales@fairviewmicrowave.com)

WR-284 to Type N Female Waveguide to Coax Adapter UDR32 with 2.6 GHz to 3.95 GHz in Aluminum from Fairview Microwave is in-stock and available to ship same-day. All of our RF/microwave products are available off-the-shelf from our ISO 9001:2008 certified facilities in Lewisville, Texas. Fairview Microwave is RF on-demand.

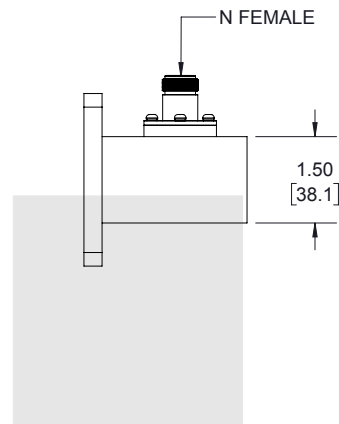
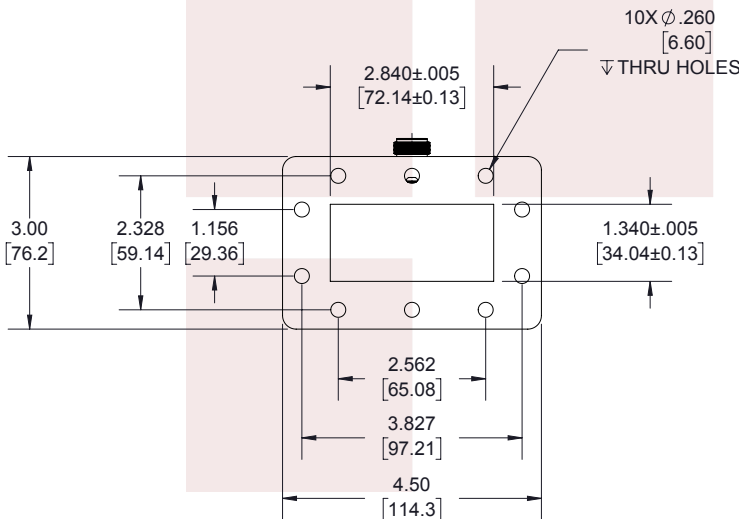
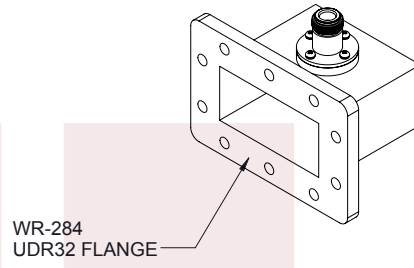
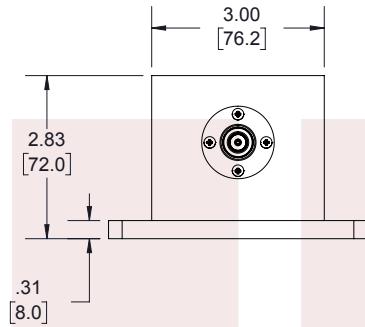
For additional information on this product, please click the following link: [WR-284 to Type N Female Waveguide to Coax Adapter UDR32 with 2.6 GHz to 3.95 GHz in Aluminum FMWCA1081](#)

URL: <https://www.fairviewmicrowave.com/wr284-type-n-female-waveguide-coax-adapter-udr32-fmwca1081-p.aspx>

The information contained in this document is accurate to the best of our knowledge and representative of the part described herein. It may be necessary to make modifications to the part and/or the documentation of the part, in order to implement improvements. Fairview Microwave reserves the right to make such changes as required. Unless otherwise stated, all specifications are nominal. Fairview Microwave does not make any representation or warranty regarding the suitability of the part described herein for any particular purpose, and Fairview Microwave does not assume any liability arising out of the use of any part or documentation.



| REVISIONS |                 |            |          |
|-----------|-----------------|------------|----------|
| REV.      | DESCRIPTION     | DATE       | APPROVED |
| A         | INITIAL RELEASE | 04/27/2020 | SPONG    |



LABEL:

FAIRVIEW MICROWAVE  
FMWCA1081  
D/C: YYWW

THESE COMMODITIES, TECHNOLOGY OR SOFTWARE WERE EXPORTED FROM THE UNITED STATES IN ACCORDANCE WITH THE EXPORT ADMINISTRATION REGULATIONS. DIVERSION CONTRARY TO U.S. LAW PROHIBITED.

TITLE

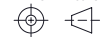
WR-284 to Type N Female Waveguide to Coax Adapter  
UDR32 with 2.6 GHz to 3.95 GHz in Aluminum

UNLESS OTHERWISE SPECIFIED LEADING DIMENSIONS ARE INCHES  
DIMENSIONS IN [ ] ARE MILLIMETERS

TOLERANCES: CABLE LENGTH (L) TOLERANCES:

|                    |             |   |
|--------------------|-------------|---|
| .X = ±.2 [5.08]    | FRACTIONS   | L ≤ 12 [305] = +1 [25] / -0                 |
| .XX = ±.02 [.51]   | ± 1/32      | 12 [305] < L ≤ 60 [1524] = +2 [51] / -0     |
| .XXX = ±.005 [.13] | ANGLES ± 1° | 60 [1524] < L ≤ 120 [3048] = +4 [102] / -0  |
|                    |             | 120 [3048] < L ≤ 300 [7620] = +6 [152] / -0 |
|                    |             | 300 [7620] < L = +5%L / -0                  |

THIRD-ANGLE PROJECTION



THE INFORMATION AND DESIGN IN THIS DOCUMENT IS THE PROPERTY OF FAIRVIEW MICROWAVE CORPORATION. ALL RIGHTS RESERVED.

SHEET 1 OF 1

ALL DIMENSIONS SHOWN ARE FOR REFERENCE ONLY.

SCALE N/A

|           |                    |                       |                       |          |
|-----------|--------------------|-----------------------|-----------------------|----------|
| SIZE<br>A | CAGE CODE<br>3FKR5 | DRAWN BY<br>BPUCHASKI | ITEM NO.<br>FMWCA1081 | REV<br>A |
|-----------|--------------------|-----------------------|-----------------------|----------|

T-Rev.D