

**WR-90 to SMA Female Waveguide to Coax Adapter  
 CMR-90 with 8.2 GHz to 12.4 GHz X Band in  
 Aluminum, Paint**

The FMWCA1032 is a waveguide to coaxial adapter operating in the X Band with a 8.2 to 12.4 GHz frequency range. This adapter offers a WR-90 waveguide interface size using a standard CMR-90 Flange. The FMWCA1032 is constructed of Aluminum Alloy and painted to ensure durability. The coaxial connector offered by this adapter uses a SMA Female Connector.

**Configuration**

Waveguide Size	WR-90
Flange	CMR-90
RF Connector	SMA Female
Impedance	50 Ohms
Body Geometry	Right Angle

**Electrical Specifications**

Description	Min	Typ	Max	Units
Frequency Range	8.2		12.4	GHz
VSWR		1.25:1		

**Mechanical Specifications**

<b>RF Connector</b>	
Connector Type	SMA Female
<b>Waveguide Interface</b>	
Waveguide Type	WR-90
Flange Type	CMR-90
Body Material and Plating	Aluminum, Paint

**Compliance Certifications** (see [product page](#) for current document)

**Plotted and Other Data**

- Notes:
- Values at +25 °C, sea level unless stated otherwise



**Features:**

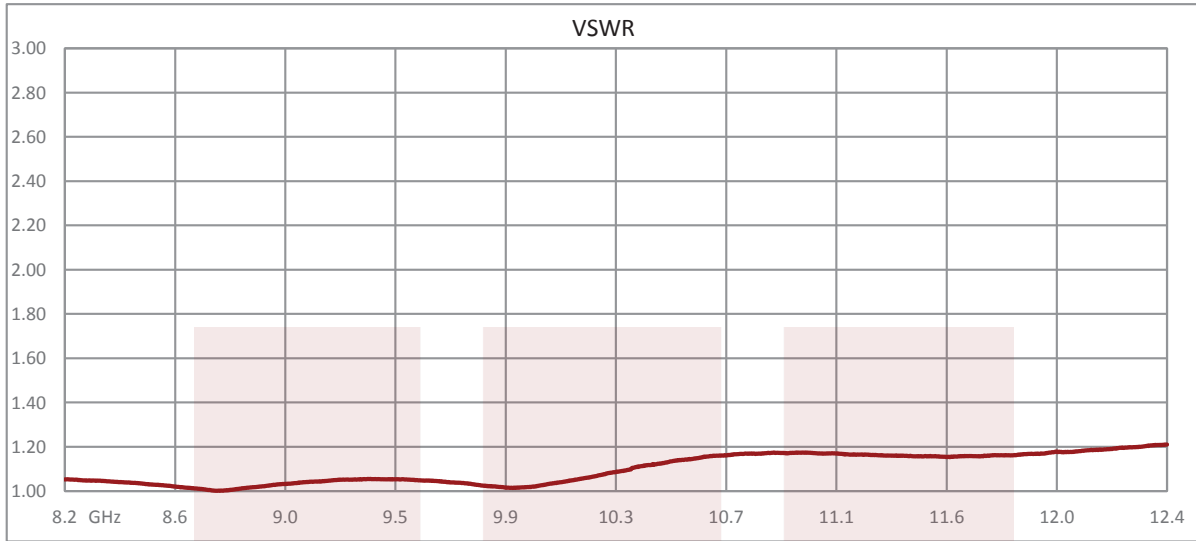
- X Band
- 8.2 to 12.4 GHz Frequency Range
- WR-90 Waveguide Interface
- CMR-90 Flange
- SMA Female RF Interface
- Right Angle

**Applications:**

- Test Benches
- Radar
- Satellite
- Microwave Radio Systems
- Military and Space
- Communication Systems

Fairview Microwave  
 301 Leora Ln., Suite 100  
 Lewisville, TX 75056  
 Tel: 1-800-715-4396 / (972) 649-6678  
 Fax: (972) 649-6689  
[www.fairviewmicrowave.com](http://www.fairviewmicrowave.com)  
[sales@fairviewmicrowave.com](mailto:sales@fairviewmicrowave.com)

**Typical Performance Data**

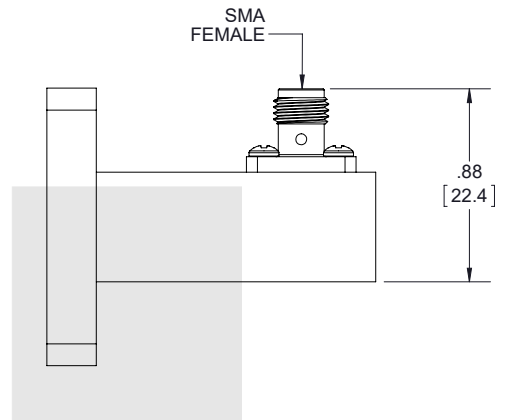
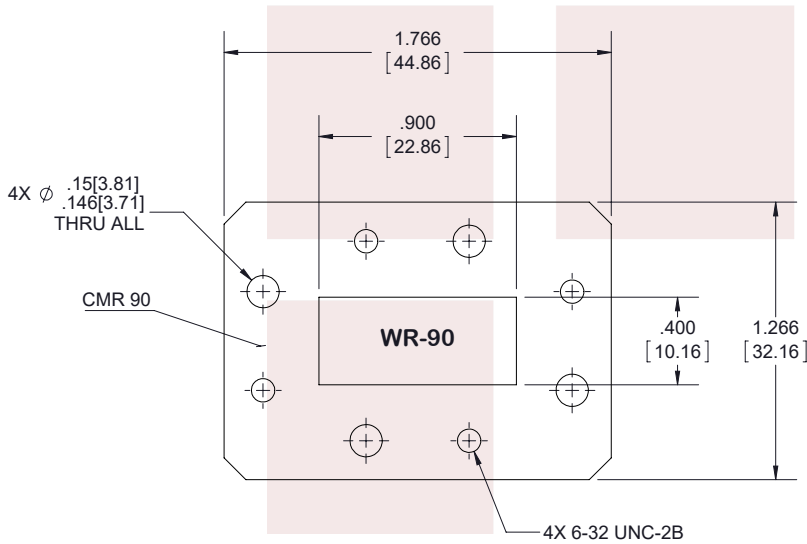
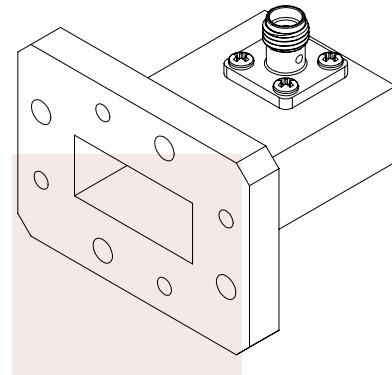
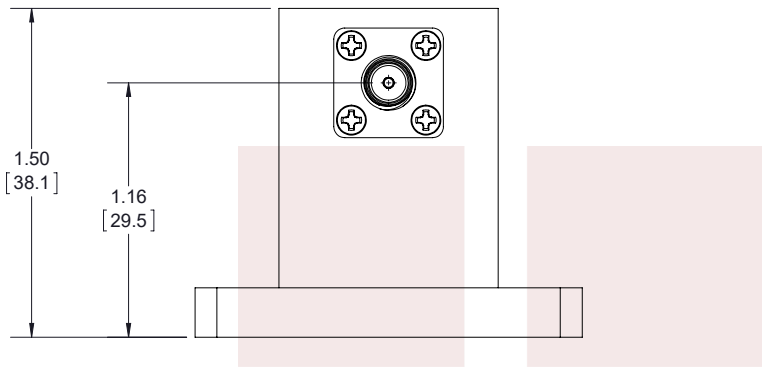


WR-90 to SMA Female Waveguide to Coax Adapter CMR-90 with 8.2 GHz to 12.4 GHz X Band in Aluminum, Paint from Fairview Microwave is in-stock and available to ship same-day. All of our RF/microwave products are available off-the-shelf from our ISO 9001:2008 certified facilities in Allen, Texas. Fairview Microwave is RF on-demand.

For additional information on this product, please click the following link: [WR-90 to SMA Female Waveguide to Coax Adapter CMR-90 with 8.2 GHz to 12.4 GHz X Band in Aluminum, Paint FMWCA1032](#)

URL: <https://www.fairviewmicrowave.com/wr90-sma-female-waveguide-coax-adapter-cmr-90-fmwca1032-p.aspx>

The information contained in this document is accurate to the best of our knowledge and representative of the part described herein. It may be necessary to make modifications to the part and/or the documentation of the part, in order to implement improvements. Fairview Microwave reserves the right to make such changes as required. Unless otherwise stated, all specifications are nominal. Fairview Microwave does not make any representation or warranty regarding the suitability of the part described herein for any particular purpose, and Fairview Microwave does not assume any liability arising out of the use of any part or documentation.



STANDARD TOLERANCES	
.X	±0.2
.XX	±0.01
.XXX	±0.005

\*STANDARD TOLERANCES APPLY ONLY TO DIMENSIONS IN INCHES

<b>FAIRVIEW MICROWAVE INC.</b> ALLEN, TX 75013 WWW.FAIRVIEWMICROWAVE.COM		NOTES: 1. UNLESS OTHERWISE SPECIFIED ALL DIMENSIONS ARE NOMINAL. 2. ALL SPECIFICATIONS ARE SUBJECT TO CHANGE WITHOUT NOTICE AT ANY TIME. 3. DIMENSIONS ARE IN INCHES [mm].						
TITLE  WR-90 to SMA Female Waveguide to Coax Adapter CMR-90 with 8.2 GHz to 12.4 GHz X Band in Aluminum, Paint		DWG NO <b>FMWCA1032</b>		CAGE CODE <b>3FKR5</b>				
CAD FILE	100417	SHEET	1 OF 1	SCALE	N/A	SIZE	A	7361