

## WR-90 to Type N Female Waveguide to Coax Adapter UG-135/U Square Cover with 8.2 GHz to 12.4 GHz X Band in Aluminum, Paint

The FMWCA1031 is a waveguide to coaxial adapter operating in the X Band with a 8.2 to 12.4 GHz frequency range. This adapter offers a WR-90 waveguide interface size using a standard UG-135/U Square Cover Flange. The FMWCA1031 is constructed of Aluminum Alloy and painted to ensure durability. The coaxial connector offered by this adapter uses a N Female Connector.

### Configuration

Waveguide Size	WR-90
Flange	UG-135/U Square Cover
RF Connector	N Female
Impedance	50 Ohms
Body Geometry	Right Angle

### Electrical Specifications

Description	Min	Typ	Max	Units
Frequency Range	8.2		12.4	GHz
VSWR		1.25:1		

### Mechanical Specifications

Weight 0.142 lbs [64.41 g]

#### RF Connector

Connector Type N Female

#### Waveguide Interface

Waveguide Type WR-90  
 Flange Type Square Cover  
 Flange Designation UG-135/U  
 Body Material and Plating Aluminum, Paint

### Compliance Certifications (see [product page](#) for current document)

### Plotted and Other Data

Notes:

- Values at +25 °C, sea level unless stated otherwise



### Features:

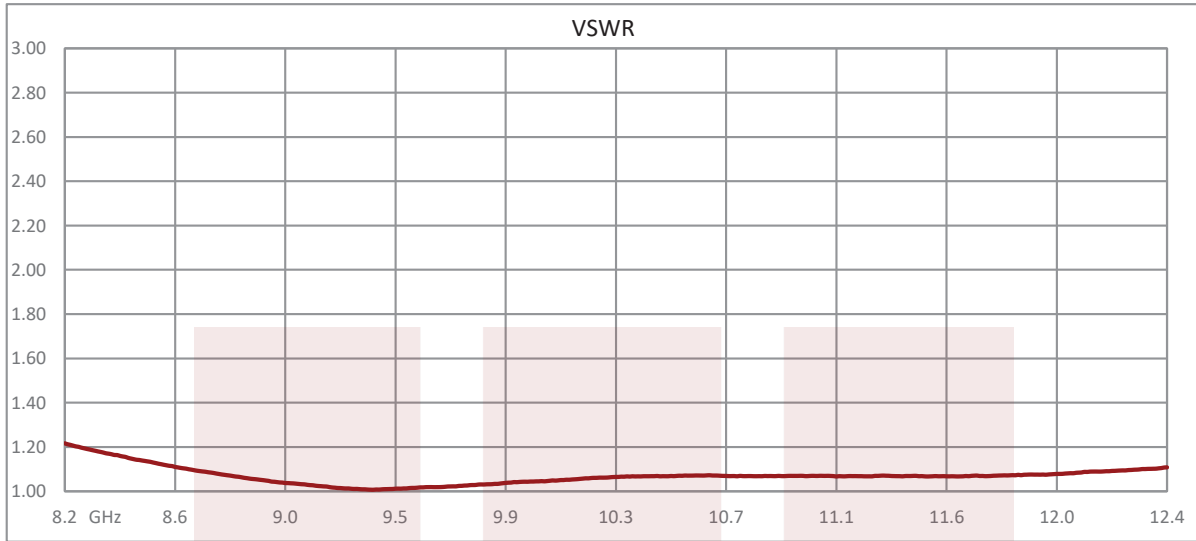
- X Band
- 8.2 to 12.4 GHz Frequency Range
- WR-90 Waveguide Interface
- UG-135/U Square Cover Flange
- N Female RF Interface
- Right Angle

### Applications:

- Test Benches
- Radar
- Satellite
- Microwave Radio Systems
- Military and Space
- Communication Systems

Fairview Microwave  
 301 Leora Ln., Suite 100  
 Lewisville, TX 75056  
 Tel: 1-800-715-4396 / (972) 649-6678  
 Fax: (972) 649-6689  
[www.fairviewmicrowave.com](http://www.fairviewmicrowave.com)  
[sales@fairviewmicrowave.com](mailto:sales@fairviewmicrowave.com)

**Typical Performance Data**



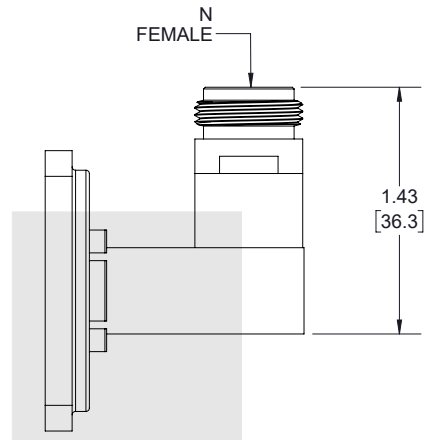
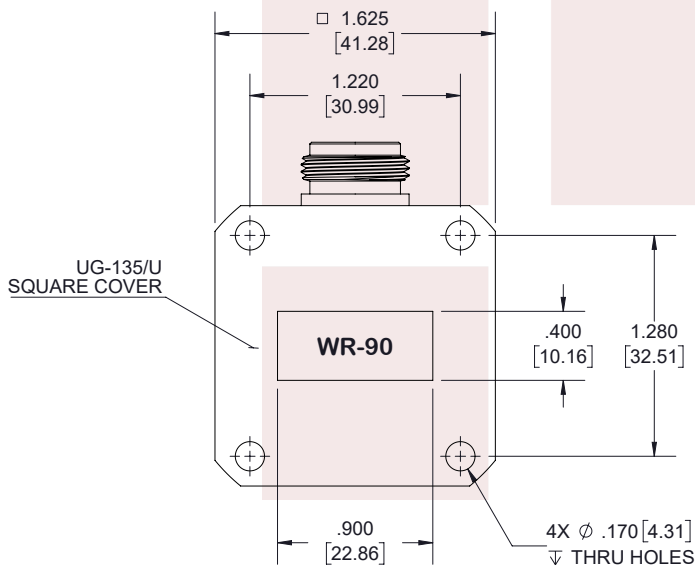
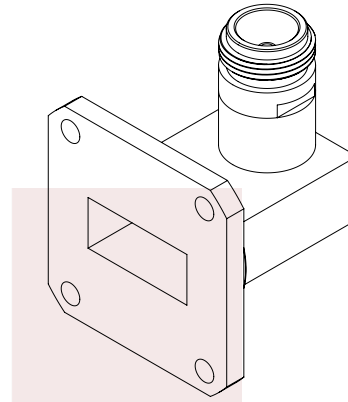
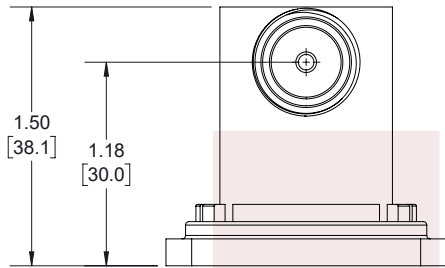
WR-90 to Type N Female Waveguide to Coax Adapter UG-135/U Square Cover with 8.2 GHz to 12.4 GHz X Band in Aluminum, Paint from Fairview Microwave is in-stock and available to ship same-day. All of our RF/microwave products are available off-the-shelf from our ISO 9001:2008 certified facilities in Lewisville, Texas. Fairview Microwave is RF on-demand.

For additional information on this product, please click the following link: [WR-90 to Type N Female Waveguide to Coax Adapter UG-135/U Square Cover with 8.2 GHz to 12.4 GHz X Band in Aluminum, Paint FMWCA1031](https://www.fairviewmicrowave.com/wr90-type-n-female-waveguide-coax-adapter-ug135-square-fmwca1031-p.aspx)

URL: <https://www.fairviewmicrowave.com/wr90-type-n-female-waveguide-coax-adapter-ug135-square-fmwca1031-p.aspx>

The information contained in this document is accurate to the best of our knowledge and representative of the part described herein. It may be necessary to make modifications to the part and/or the documentation of the part, in order to implement improvements. Fairview Microwave reserves the right to make such changes as required. Unless otherwise stated, all specifications are nominal. Fairview Microwave does not make any representation or warranty regarding the suitability of the part described herein for any particular purpose, and Fairview Microwave does not assume any liability arising out of the use of any part or documentation.

REVISIONS			
REV.	DESCRIPTION	DATE	APPROVED
A	PCR FMWCA1031	1/29/2020	S.PONG



THESE COMMODITIES, TECHNOLOGY OR SOFTWARE WERE EXPORTED FROM THE UNITED STATES IN ACCORDANCE WITH THE EXPORT ADMINISTRATION REGULATIONS. DIVERSION CONTRARY TO U.S. LAW PROHIBITED.

TITLE  
WR-90 to Type N Female Waveguide to Coax Adapter  
UG-135/U Square Cover with 8.2 GHz to 12.4 GHz X  
Band in Aluminum, Paint

UNLESS OTHERWISE SPECIFIED LEADING DIMENSIONS ARE INCHES  
DIMENSIONS IN [ ] ARE MILLIMETERS

TOLERANCES: CABLE LENGTH (L) TOLERANCES:

.X = ±.2 [5.08]	FRACTIONS	L ≤ 12 [305] = +1 [25] / -0
.XX = ±.02 [.51]	± 1/32	12 [305] < L ≤ 60 [1524] = +2 [51] / -0
.XXX = ±.005 [.13]	ANGLES ± 1°	60 [1524] < L ≤ 120 [3048] = +4 [102] / -0
		120 [3048] < L ≤ 300 [7620] = +6 [152] / -0
		300 [7620] < L = +5%L / -0

THIRD-ANGLE PROJECTION



THE INFORMATION AND DESIGN IN THIS DOCUMENT IS THE PROPERTY OF FAIRVIEW MICROWAVE CORPORATION. ALL RIGHTS RESERVED.

SHEET 1 OF 1

ALL DIMENSIONS SHOWN ARE FOR REFERENCE ONLY.

SCALE N/A

SIZE A	CAGE CODE 3FKR5	DRAWN BY K.DANG	ITEM NO. PEWCA1031	REV A
-----------	--------------------	--------------------	-----------------------	----------

T-Rev.D