

**WR-42 to SMA Female Waveguide to Coax Adapter  
UG-595/U Square Cover Standard with 18 GHz to  
26.5 GHz K Band in Copper, Paint**

The FMWCA1018 is a waveguide to coaxial adapter operating in the K Band with a 18 to 26.5 GHz frequency range. This adapter offers a WR-42 waveguide interface size using a standard Square Cover Flange. The FMWCA1018 is constructed of Copper Alloy and painted to ensure durability. The coaxial connector offered by this adapter uses a 2.92mm Female Nickel Plated Brass Connector.

**Configuration**

Waveguide Size	WR-42
Flange	UG-595/U Square Cover
RF Connector	SMA Female
Impedance	50 Ohms
Body Geometry	Right Angle

**Electrical Specifications**

Description	Min	Typ	Max	Units
Frequency Range	18		26.5	GHz
VSWR		1.25:1		

**Mechanical Specifications**

Weight 0.077 lbs [34.93 g]

**RF Connector**

Connector Type SMA Female  
Body Material and Plating Brass, Nickel

**Waveguide Interface**

Waveguide Type WR-42  
Flange Type Square Cover  
Flange Designation UG-595/U  
Body Material and Plating Copper, Paint

**Compliance Certifications** (see [product page](#) for current document)

**Plotted and Other Data**

Notes:

- Values at +25 °C, sea level unless stated otherwise


**Features:**

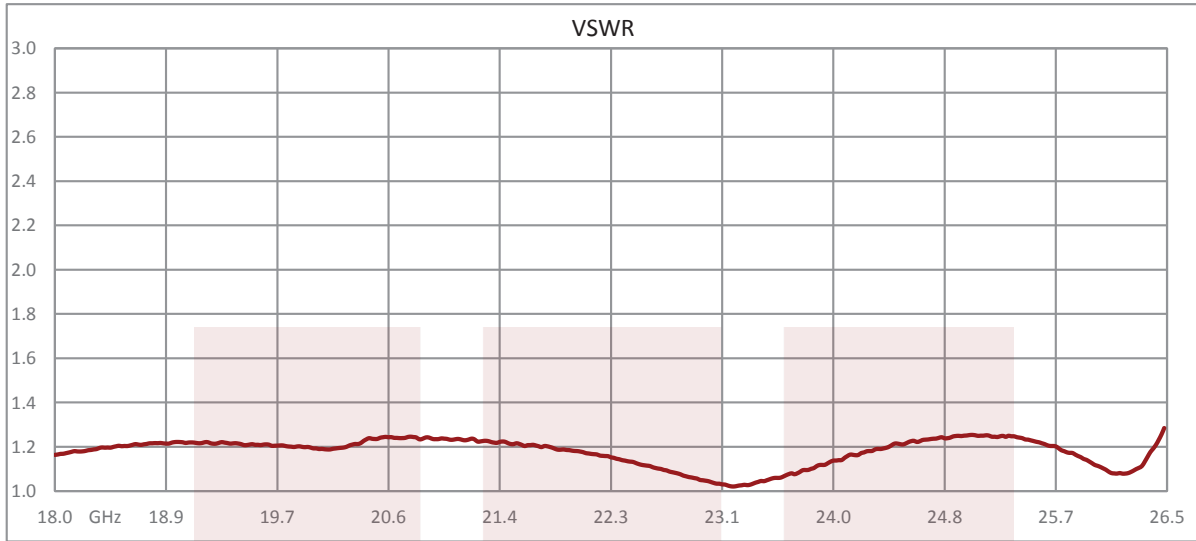
- K Band
- 18 to 26.5 GHz Frequency Range
- WR-42 Waveguide Interface
- UG-595/U Square Cover Flange
- SMA Female RF Interface

**Applications:**

- Test Benches
- Radar
- Satellite
- Microwave Radio Systems
- Military and Space
- Communication Systems

Fairview Microwave  
301 Leora Ln., Suite 100  
Lewisville, TX 75056  
Tel: 1-800-715-4396 / (972) 649-6678  
Fax: (972) 649-6689  
[www.fairviewmicrowave.com](http://www.fairviewmicrowave.com)  
[sales@fairviewmicrowave.com](mailto:sales@fairviewmicrowave.com)

**Typical Performance Data**



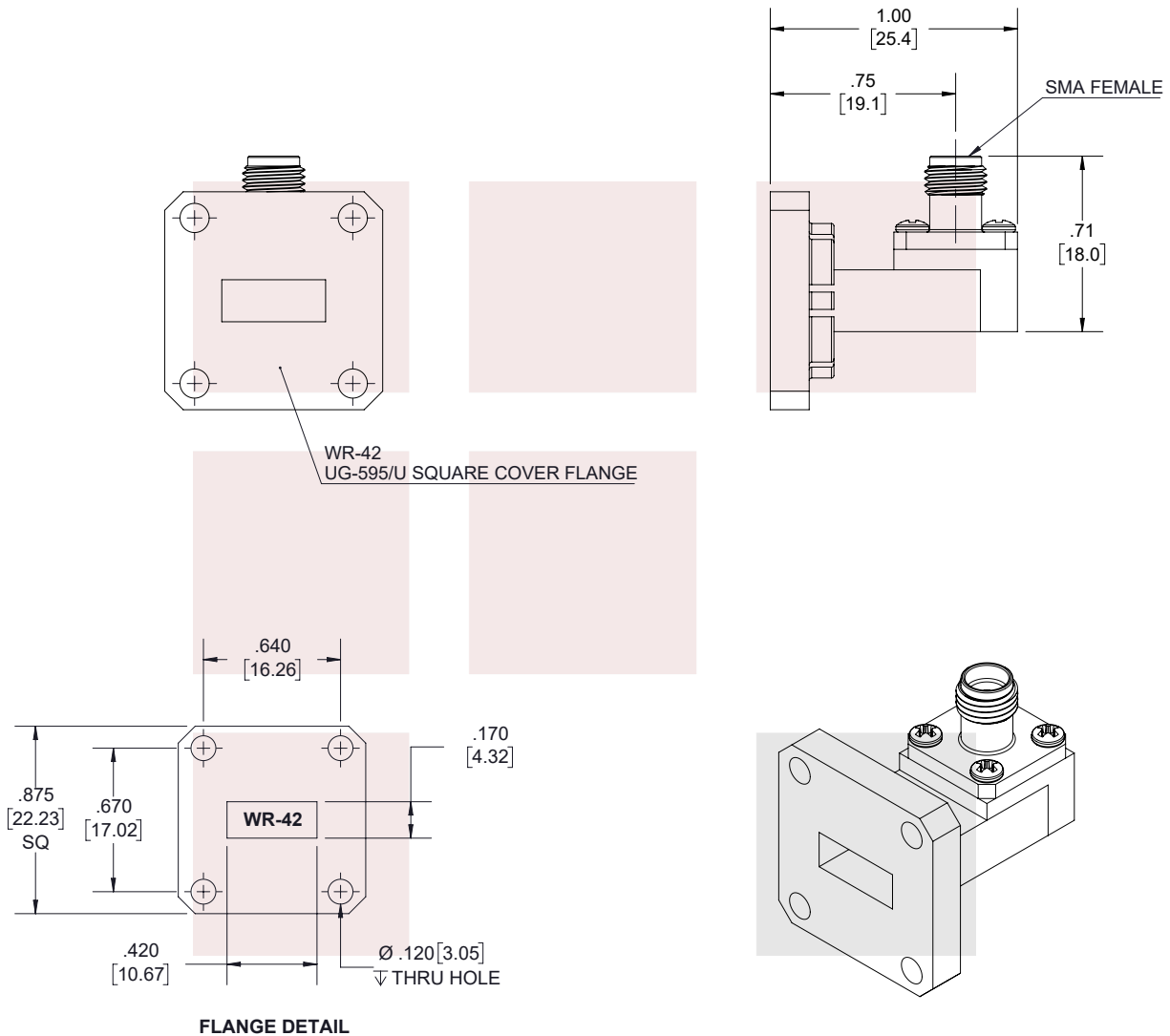
WR-42 to SMA Female Waveguide to Coax Adapter UG-595/U Square Cover Standard with 18 GHz to 26.5 GHz K Band in Copper, Paint from Fairview Microwave is in-stock and available to ship same-day. All of our RF/microwave products are available off-the-shelf from our ISO 9001:2008 certified facilities in Lewisville, Texas. Fairview Microwave is RF on-demand.

For additional information on this product, please click the following link: [WR-42 to SMA Female Waveguide to Coax Adapter UG-595/U Square Cover Standard with 18 GHz to 26.5 GHz K Band in Copper, Paint FMWCA1018](https://www.fairviewmicrowave.com/wr-42-sma-female-waveguide-coax-adapter-ug595-square-26.5-ghz-fmwca1018-p.aspx)

URL: <https://www.fairviewmicrowave.com/wr-42-sma-female-waveguide-coax-adapter-ug595-square-26.5-ghz-fmwca1018-p.aspx>

The information contained in this document is accurate to the best of our knowledge and representative of the part described herein. It may be necessary to make modifications to the part and/or the documentation of the part, in order to implement improvements. Fairview Microwave reserves the right to make such changes as required. Unless otherwise stated, all specifications are nominal. Fairview Microwave does not make any representation or warranty regarding the suitability of the part described herein for any particular purpose, and Fairview Microwave does not assume any liability arising out of the use of any part or documentation.

REVISIONS			
REV.	DESCRIPTION	DATE	APPROVED
A	PCR FMWCA1018	3/8/2021	S.PONG



THESE COMMODITIES, TECHNOLOGY OR SOFTWARE WERE EXPORTED FROM THE UNITED STATES IN ACCORDANCE WITH THE EXPORT ADMINISTRATION REGULATIONS. DIVERSION CONTRARY TO U.S. LAW PROHIBITED.

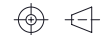
TITLE  
WR-42 to SMA Female Waveguide to Coax Adapter  
UG-595/U Square Cover Standard with 18 GHz to  
26.5 GHz K Band in Copper, Paint

UNLESS OTHERWISE SPECIFIED LEADING DIMENSIONS ARE INCHES  
DIMENSIONS IN [ ] ARE MILLIMETERS

TOLERANCES: CABLE LENGTH (L) TOLERANCES:

.X = ±.2 [5.08]	FRACTIONS	L ≤ 12 [305] = +1 [25] / -0
.XX = ±.02 [.51]	± 1/32	12 [305] < L ≤ 60 [1524] = +2 [51] / -0
.XXX = ±.005 [.13]	ANGLES ± 1°	60 [1524] < L ≤ 120 [3048] = +4 [102] / -0
		120 [3048] < L ≤ 300 [7620] = +6 [152] / -0
		300 [7620] < L = +5%L / -0

THIRD-ANGLE PROJECTION



THE INFORMATION AND DESIGN IN THIS DOCUMENT IS THE PROPERTY OF FAIRVIEW MICROWAVE CORPORATION. ALL RIGHTS RESERVED.

SHEET 1 OF 1

ALL DIMENSIONS SHOWN ARE FOR REFERENCE ONLY.

SCALE N/A

SIZE A	CAGE CODE 3FKR5	DRAWN BY K.DANG	ITEM NO. FMWCA1018	REV A
-----------	--------------------	--------------------	-----------------------	----------

T-Rev.D