

Standard Gain Horn Cage Style Antenna Mount, Waveguide Size WR159, IEC R58

The Fairview Microwave FMWAN159-MNT antenna mount is a compact and versatile solution designed to accommodate a gain horn antenna with specific dimensions. With a length of 4.33 inches and a height of 2.76 inches, this mount provides a sturdy and secure platform for the antenna. Weighing only 0.88 pounds, this antenna holder is lightweight and easy to handle, making it convenient for various applications. This antenna mount is specifically stocked to be readily available for same business day shipment.

The FMWAN159-MNT antenna mount from Fairview Microwave is compatible with the IEC R58 standard and supports gain horn antennas with a waveguide size of WR159. The aluminum body of this mount offers lightweight construction, while still maintaining robustness for test and measurement applications. With chromate conversion for a sleek inside finish and coated with anticorrosion gray paint, our antenna mount ensures protection against environmental factors.

Fairview Microwave has one of the largest in-stock selections of gain horn antenna mounts for international and domestic orders. Make your online purchase right now to take advantage of our same business day shipping. For further information on similar antenna accessories, our expert technical support and knowledgeable sales team can help you get the perfect gain horn antenna mount for your requirements.

Mechanical Specifications

Body Material	Aluminum
Body Finish	Chromate conversion
Length	4.330709 in [110 mm]
Width	4.330709 in [110 mm]
Height	2.755906 in [70 mm]
Weight	1.73 lbs [784.71 g]

Compliance Certifications (see [product page](#) for current document)

Standard Gain Horn Cage Style Antenna Mount, Waveguide Size WR159, IEC R58 from Fairview Microwave is in-stock and available to ship same-day. All of our RF/microwave products are available off-the-shelf from our ISO 9001:2008 certified facilities in Lewisville, Texas. Fairview Microwave is RF on-demand.

For additional information on this product, please click the following link: [Standard Gain Horn Cage Style Antenna Mount, Waveguide Size WR159, IEC R58 FMWAN159-MNT](#)

URL: <https://www.fairviewmicrowave.com/standard-gain-horn-cage-style-antenna-mount-waveguide-size-wr159-iec-r58-fmwan159-mnt-p.aspx>

The information contained in this document is accurate to the best of our knowledge and representative of the part described herein. It may be necessary to make modifications to the part and/or the documentation of the part, in order to implement improvements. Fairview Microwave reserves the right to make such changes as required. Unless otherwise stated, all specifications are nominal. Fairview Microwave does not make any representation or warranty regarding the suitability of the part described herein for any particular purpose, and Fairview Microwave does not assume any liability arising out of the use of any part or documentation.



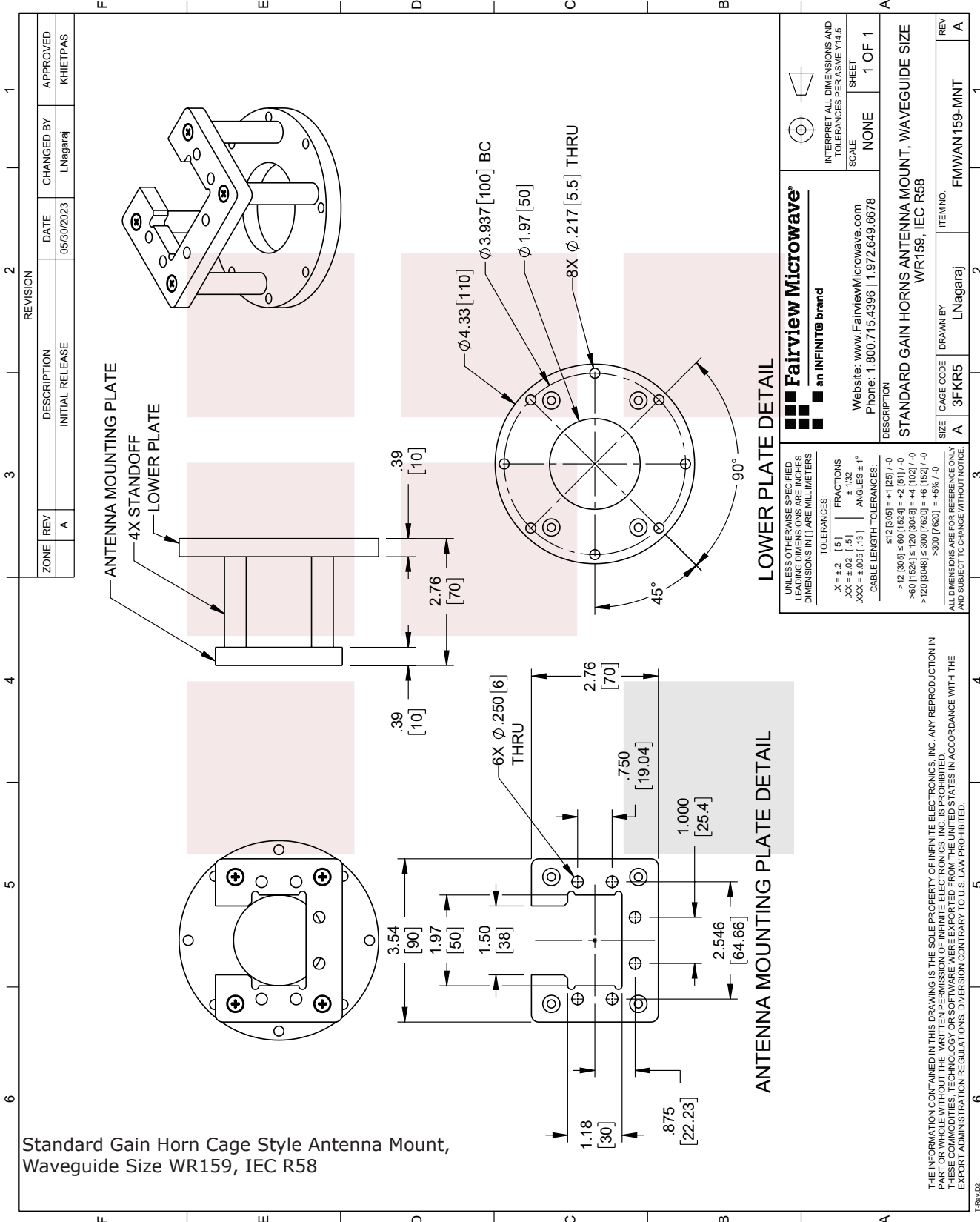
Features:

- Supports WR159 waveguide size
- Supports flange type: UG-1730/U, UG-1731/U, UDR 58, CPR 159, RDR 58, PDR 58, UG-1354/U, UG-1355/U
- All Aluminum material
- Chromate conversion - inside finish
- Anti corrosion grey paint - outside finish
- Easy mount option and Seamless fit

Applications:

- Gain Horn or Waveguide Mounting
- Antenna Measurements
- Laboratory use
- Microwave Testing
- Radome Testing
- EMC measurement
- Satellite Antenna Testing

Fairview Microwave
301 Leora Ln., Suite 100
Lewisville, TX 75056
Tel: 1-800-715-4396 / (972) 649-6678
Fax: (972) 649-6689
www.fairviewmicrowave.com
sales@fairviewmicrowave.com



REVISION		DATE	CHANGED BY	APPROVED
ZONE	REV			
	A	05/30/2023	L.Nagaraj	KHETIPAS
DESCRIPTION				
INITIAL RELEASE				

<p>Fairview Microwave an INFINIT[®] brand</p>		<p>INTERPRET ALL DIMENSIONS AND TOLERANCES PER ASME Y14.5</p>
Website: www.FairviewMicrowave.com Phone: 1.800.715.4396 1.972.649.6678		SCALE: NONE SHEET: 1 OF 1
DESCRIPTION: STANDARD GAIN HORN ANTENNA MOUNT, WAVEGUIDE SIZE WR159, IEC R58		
SIZE	CAGE CODE	ITEM NO.
A	3FKR5	FMWAN159-MNT

UNLESS OTHERWISE SPECIFIED, DIMENSIONS AND TOLERANCES ARE IN INCHES. DIMENSIONS IN LARGE MILLIMETERS.

TOLERANCES:

X = ±.2 [5] FRACTIONS
 .XX = ±.02 [.5] ±.152
 .XXX = ±.005 [.13] ANGLES ± 1°

CABLE LENGTH TOLERANCES:

≤ 12 [305] = ±.125 [-0]
 > 12 [305] ≤ 60 [1524] = ±.2 [5] [-0]
 > 60 [1524] ≤ 120 [3048] = ±.4 [102] [-0]
 > 120 [3048] ≤ 300 [7620] = ±.6 [152] [-0]
 > 300 [7620] = ±.8% [-0]

ALL DIMENSIONS ARE FOR REFERENCE ONLY AND SUBJECT TO CHANGE WITHOUT NOTICE.

THE INFORMATION CONTAINED IN THIS DRAWING IS THE SOLE PROPERTY OF INFINITE ELECTRONICS, INC. ANY REPRODUCTION IN WHOLE OR IN PART WITHOUT THE WRITTEN PERMISSION OF INFINITE ELECTRONICS, INC. IS PROHIBITED. THESE COMMODITY TECHNOLOGY OR SOFTWARE WERE EXPORTED FROM THE UNITED STATES IN ACCORDANCE WITH THE EXPORT ADMINISTRATION REGULATIONS. DIVERSION CONTRARY TO U.S. LAW PROHIBITED.