

## Standard Gain Horn L-style Antenna Mount, Waveguide Size WR34, IEC R260



### FMWAN034-LMT

#### Features

- Supports WR34 waveguide size
- Supports flange type: UBR 260, PBR 260, CBR 260
- All Aluminum material
- Chromate conversion - inside finish
- Anti corrosion grey paint - outside finish
- Easy mount option and Seamless fit
- L-style mount for tripods

#### Applications

- Gain Horn or Waveguide Mounting
- Antenna Measurements
- Laboratory use
- Microwave Testing
- Radome Testing
- EMC measurement
- Satellite Antenna Testing

#### Description

The Fairview Microwave FMWAN034-LMT antenna mount is a compact L-style mount and versatile solution designed to accommodate a gain horn antenna with specific dimensions. This antenna holder is lightweight and easy to handle, making it convenient for various applications. This antenna mount is specifically stocked to be readily available for same business day shipment.

The FMWAN034-LMT antenna mount from Fairview Microwave is compatible with the IEC R260 standard and supports gain horn antennas with a waveguide size of WR34. The aluminum body of this mount offers lightweight construction, while still maintaining robustness for test and measurement applications. With chromate conversion for a sleek inside finish and coated with anticorrosion gray paint, our antenna mount ensures protection against environmental factors.

Fairview Microwave has one of the largest in-stock selections of gain horn antenna mounts for international and domestic orders. Make your online purchase right now to take advantage of our same business day shipping. For further information on similar antenna accessories, our expert technical support and knowledgeable sales team can help you get the perfect gain horn antenna mount for your requirements.

#### Mechanical Specifications

Body Material	Aluminum
Body Finish	Chromate conversion
Length	3.1 in [78.74 mm]
Width	2.43 in [61.72 mm]
Height	3.9 in [99.06 mm]
Weight	0.5 lbs [226.8 g]

## Standard Gain Horn L-style Antenna Mount, Waveguide Size WR34, IEC R260

### FMWAN034-LMT



---

#### Compliance Certifications (see [product page](#) for current document)

Standard Gain Horn L-style Antenna Mount, Waveguide Size WR34, IEC R260 from Fairview Microwave is in-stock and available to ship same-day. All of our RF/microwave products are available off-the-shelf from our ISO 9001:2008 certified facilities in Lewisville, Texas. Fairview Microwave is RF on-demand.

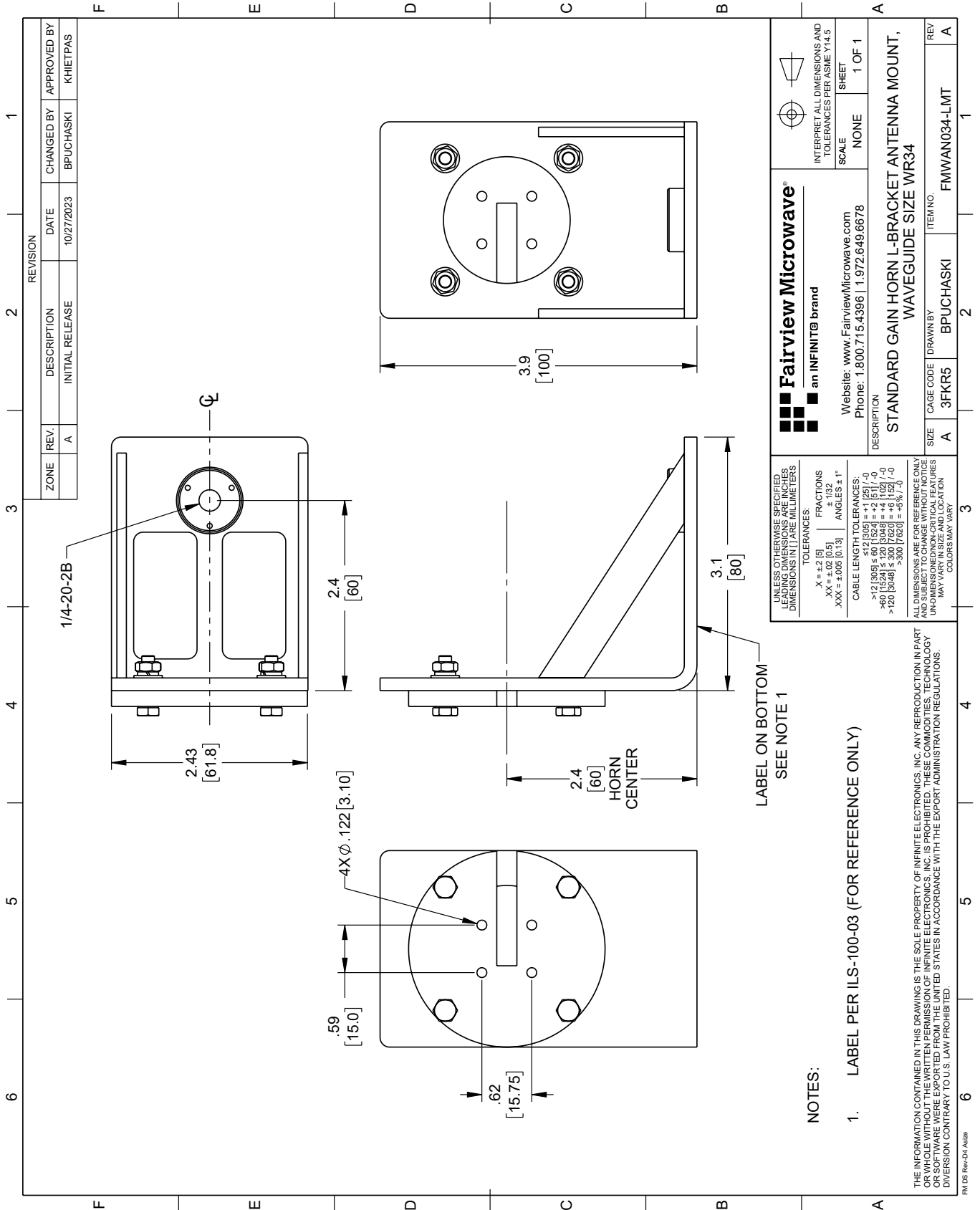
For additional information on this product, please click the following link: [Standard Gain Horn L-style Antenna Mount, Waveguide Size WR34, IEC R260 FMWAN034-LMT](#)

URL: <https://www.fairviewmicrowave.com/standard-gain-horn-l-style-antenna-mount-waveguide-size-wr34-iec-r260-fm-wan034-lmt-p.aspx>

The information contained within this document is accurate to the best of our knowledge and representative of the part described herein. It may be necessary to make modifications to the part and/or the documentation of the part in order to implement improvements. Fairview Microwave reserves the right to make such changes as required. Unless otherwise stated, all specifications are nominal. Fairview Microwave does not make any representation or warranty regarding the suitability of the part described herein for any particular purpose, and Fairview Microwave does not assume liability arising out of the use of any part or document.

# FMWAN034-LMT CAD Drawing

Standard Gain Horn L-style Antenna Mount, Waveguide Size WR34, IEC R260



**Fairview Microwave**  
an INFINIT® brand

Website: [www.FairviewMicrowave.com](http://www.FairviewMicrowave.com)  
Phone: 1.800.715.4396 | 1.972.649.6678

INTERPRET ALL DIMENSIONS AND TOLERANCES PER ASME Y14.5

SCALE: NONE  
SHEET: 1 OF 1

DESCRIPTION: STANDARD GAIN HORN L-BRACKET ANTENNA MOUNT, WAVEGUIDE SIZE WR34

ITEM NO.: FMWAN034-LMT

SIZE: A  
CAGE CODE: 3FKR5  
DRAWN BY: BPUCHASKI

THE INFORMATION CONTAINED IN THIS DRAWING IS THE SOLE PROPERTY OF INFINITE ELECTRONICS, INC. ANY REPRODUCTION IN PART OR WHOLE WITHOUT THE WRITTEN PERMISSION OF INFINITE ELECTRONICS, INC. IS PROHIBITED. THESE COMMODITIES, TECHNOLOGY OR SOFTWARE WERE EXPORTED FROM THE UNITED STATES IN ACCORDANCE WITH THE EXPORT ADMINISTRATION REGULATIONS. DIVISION CONTRARY TO U.S. LAW PROHIBITED.

PM DS Rev-D4 Alt2b