

WR-6 45 Degree Waveguide Left-hand Twist Using a UG-387/U-Mod Flange and a 110 GHz to 170 GHz Frequency Range

Fairview's Microwave FMW6TW0001 is a 45 degree, Left Hand, WR-8 waveguide twist that operates from 110 GHz to 170 GHz. This waveguide twist offers a typical 0.35 dB insertion loss and a typical 1.15 VSWR. The input of this waveguide twist has a UG-387/U-M Flange. FMW6TW0001 is part of over 40,000 RF, microwave and millimeter wave components. Our WR-6 waveguide twist will ship worldwide the same day it is purchased along with our other RF components.

Electrical Specifications

Description	Min	Typ	Max	Units
Frequency Range	110		170	GHz
VSWR		1.15:1		
Insertion Loss		0.35		dB

Electrical Specification Notes:
VSWR measurement is the representation of the load used for testing

Mechanical Specifications

Waveguide Size WR-6
Section Length 1.25 in [31.75 mm]

Description	Flange 1	Waveguide	Flange 2
Interface	UG-387/U-Mod	WR-6	UG-387/U-Mod
Material	Oxygen Free Hard Copper	Oxygen Free Hard Copper	Oxygen Free Hard Copper
Plating	Gold	Gold	Gold
Color	Gold	Gold	Gold

Compliance Certifications (see [product page](#) for current document)

Plotted and Other Data

Notes:
• Notes, Plotted Data



Features:

- WR-6 Waveguide
- 110 to 170 GHz Frequency Range
- UG-387/U-Mod Flange
- 45° Left Hand (Clockwise) Twist
- 1.15:1 Typical VSWR

Applications:

- Instrumentation
- Precision measurements
- Prototyping and characterization

Fairview Microwave
301 Leora Ln., Suite 100
Lewisville, TX 75056
Tel: 1-800-715-4396 / (972) 649-6678
Fax: (972) 649-6689
www.fairviewmicrowave.com
sales@fairviewmicrowave.com

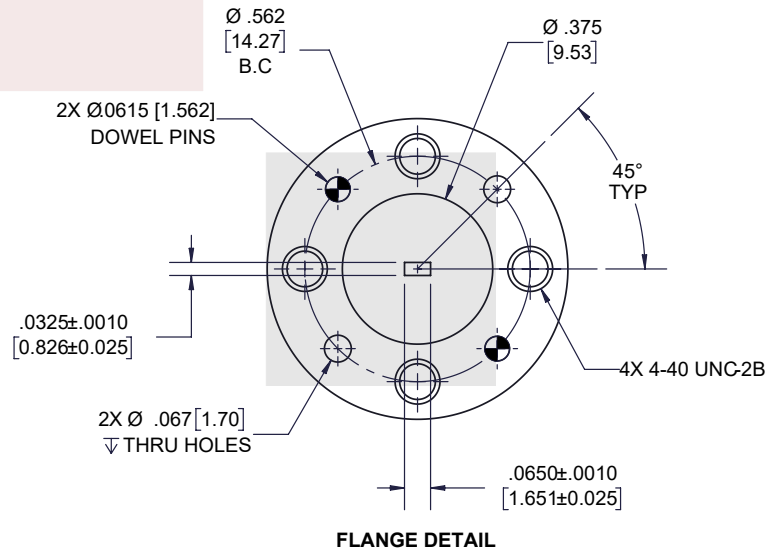
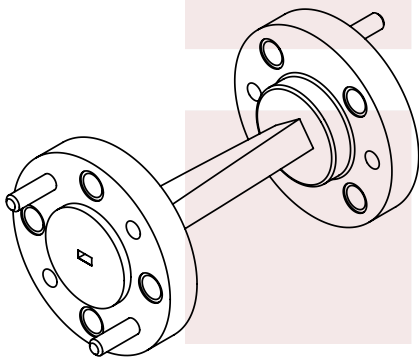
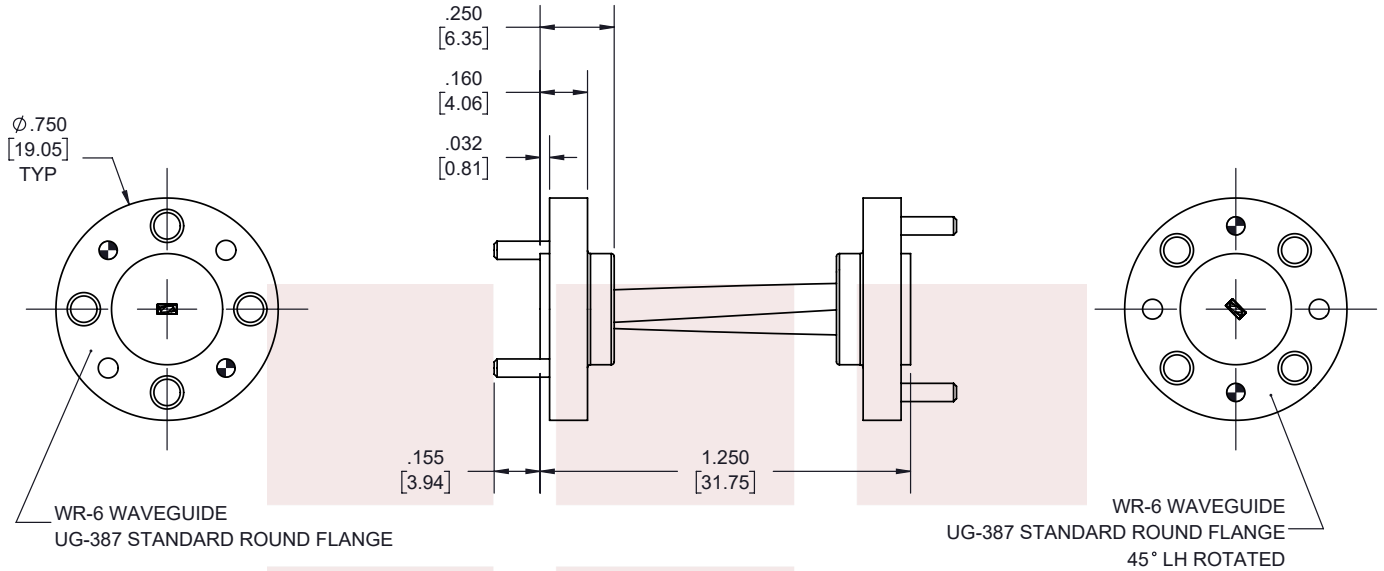
WR-6 45 Degree Waveguide Left-hand Twist Using a UG-387/U-Mod Flange and a 110 GHz to 170 GHz Frequency Range from Fairview Microwave is in-stock and available to ship same-day. All of our RF/microwave products are available off-the-shelf from our ISO 9001:2008 certified facilities in Allen, Texas. Fairview Microwave is RF on-demand.

For additional information on this product, please click the following link: [WR-6 45 Degree Waveguide Left-hand Twist Using a UG-387/U-Mod Flange and a 110 GHz to 170 GHz Frequency Range FMW6TW0001](#)

URL: <https://www.fairviewmicrowave.com/wr-6-45-waveguide-twist-ug387mod-110-170-ghz-fmw6tw0001-p.aspx>

The information contained in this document is accurate to the best of our knowledge and representative of the part described herein. It may be necessary to make modifications to the part and/or the documentation of the part, in order to implement improvements. Fairview Microwave reserves the right to make such changes as required. Unless otherwise stated, all specifications are nominal. Fairview Microwave does not make any representation or warranty regarding the suitability of the part described herein for any particular purpose, and Fairview Microwave does not assume any liability arising out of the use of any part or documentation.





STANDARD TOLERANCES

.X ±0.2
.XX ±0.01
.XXX ±0.005

*STANDARD TOLERANCES APPLY ONLY TO DIMENSIONS IN INCHES

NOTES:
1. UNLESS OTHERWISE SPECIFIED ALL DIMENSIONS ARE NOMINAL.
2. ALL SPECIFICATIONS ARE SUBJECT TO CHANGE WITHOUT NOTICE AT ANY TIME.
3. DIMENSIONS ARE IN INCHES [mm].

TITLE
WR-6 45 Degree Waveguide Left-hand Twist Using a UG-387/U-Mod Flange and a 110 GHz to 170 GHz Frequency Range

DWG NO FMW6TW0001		CAGE CODE 3FKR5			
CAD FILE	08/05/19	SHEET	1 OF 1	SCALE	N/A
		SIZE	A		7361