

WR-42 Waveguide H-Bend Using UG-595/U Flange with a 18 GHz to 26.5 GHz Frequency Range

Fairview Microwave's FMW42B100 is an H-Plane, 90 degree, WR-42 waveguide bend that operates from 18 GHz to 26.5 GHz. This waveguide bend offers a maximum VSWR of 1.10 and typical insertion loss of 0.15 dB. The input of this waveguide section has a UG-595/U Flange. FMW42B100 is part of over 40,000 RF, microwave and millimeter wave components. Our WR-42 waveguide bend will ship worldwide the same day it is purchased along with our other RF components.



Electrical Specifications*

Description	Min	Typ	Max	Units
Frequency Range	18		26.5	GHz
VSWR			1.1:1	
Insertion Loss		0.15		dB

* Values at 25°C, sea level

Mechanical Specifications

Waveguide Size	WR-42
Flange 1	
Flange Type	Square Cover
Flange Designation	UG-595/U
Material	Copper
Plating	Gold
Waveguide	
Interface	WR-42
Material	Copper
Plating	Gold
Flange 2	
Flange Type	Square Cover
Flange Designation	UG-595/U
Material	Copper
Plating	Gold
Size	
Weight	0.044 lbs [19.96 g]

Compliance Certifications (see [product page](#) for current document)

Plotted and Other Data

Notes:

- Values at 25 °C, sea level

Features:

- 90° Bend
- H-Plane
- WR-42 Waveguide
- UG-595/U Flange
- 18 GHz to 26.5 GHz Frequency Range
- Comprehensive waveguide offering also includes Straight Sections, H-Bends, Waveguide to Coax Adapters, Filters, Terminations, and more.

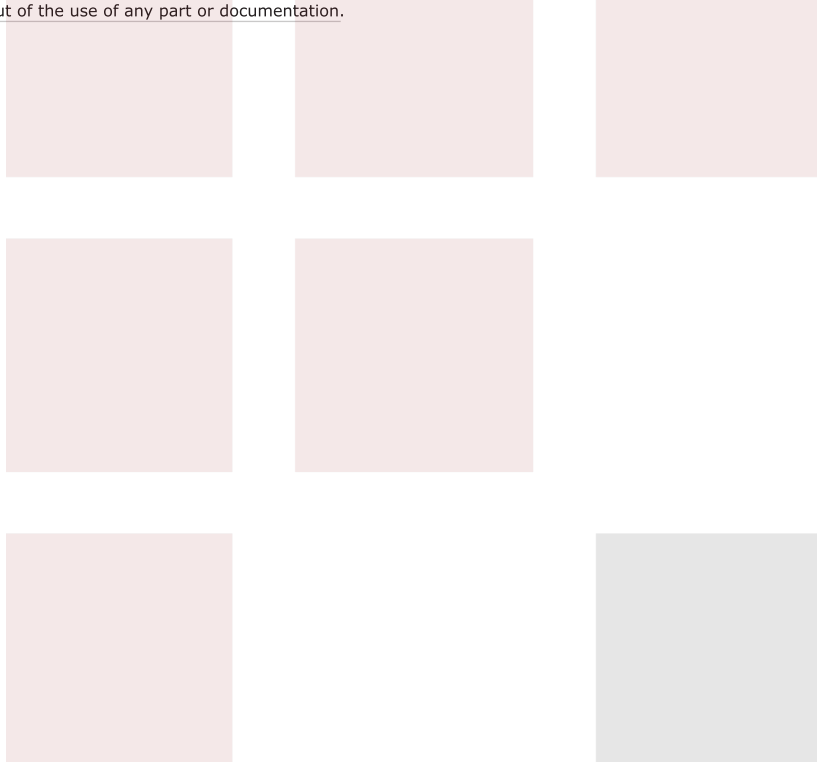
Fairview Microwave
 301 Leora Ln., Suite 100
 Lewisville, TX 75056
 Tel: 1-800-715-4396 / (972) 649-6678
 Fax: (972) 649-6689
www.fairviewmicrowave.com
sales@fairviewmicrowave.com

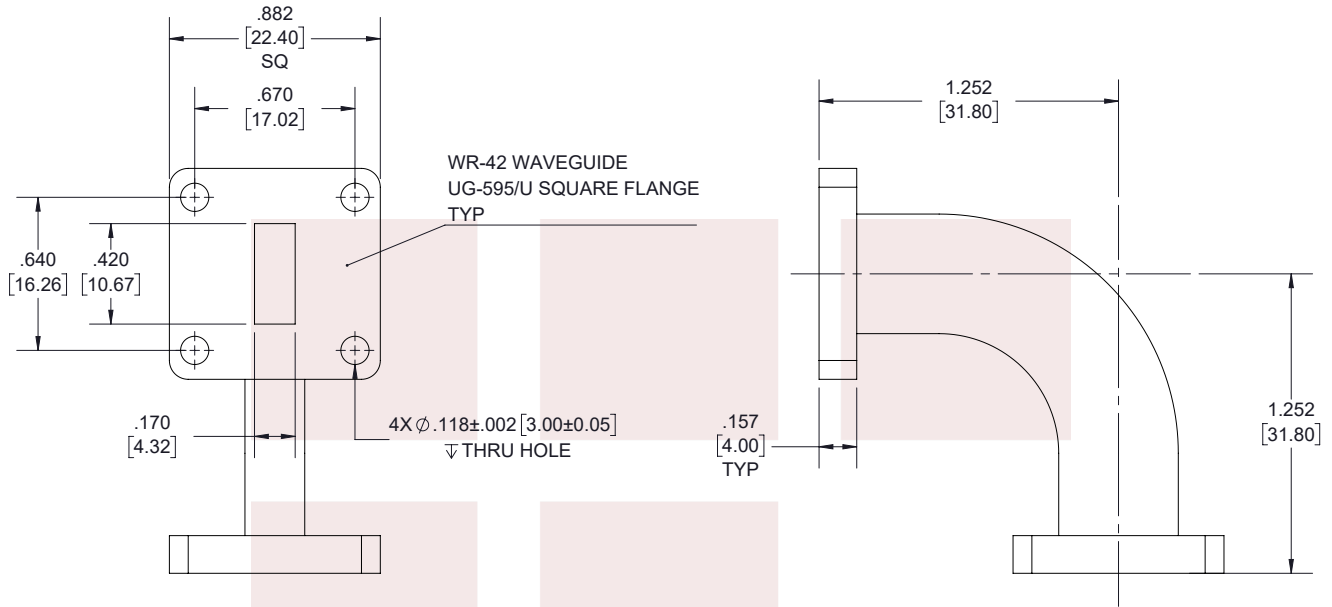
WR-42 Waveguide H-Bend Using UG-595/U Flange with a 18 GHz to 26.5 GHz Frequency Range from Fairview Microwave is in-stock and available to ship same-day. All of our RF/microwave products are available off-the-shelf from our ISO 9001:2008 certified facilities in Lewisville, Texas. Fairview Microwave is RF on-demand.

For additional information on this product, please click the following link: [WR-42 Waveguide H-Bend Using UG-595/U Flange with a 18 GHz to 26.5 GHz Frequency Range FMW42B100](#)

URL: <https://www.fairviewmicrowave.com/wr-42-waveguide-h-bend-ug-595-u-flange-18-26.5-ghz-fmw42b100-p.aspx>

The information contained in this document is accurate to the best of our knowledge and representative of the part described herein. It may be necessary to make modifications to the part and/or the documentation of the part, in order to implement improvements. Fairview Microwave reserves the right to make such changes as required. Unless otherwise stated, all specifications are nominal. Fairview Microwave does not make any representation or warranty regarding the suitability of the part described herein for any particular purpose, and Fairview Microwave does not assume any liability arising out of the use of any part or documentation.

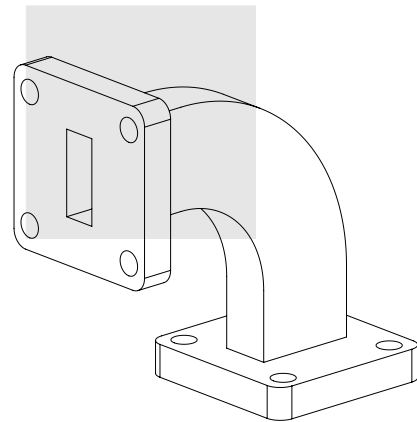




STANDARD TOLERANCES

.X ±0.2
.XX ±0.01
.XXX ±0.005

*STANDARD TOLERANCES APPLY ONLY TO DIMENSIONS IN INCHES



<p>Fairview Microwave an INFINIT[®] brand</p>		<p>NOTES: 1. UNLESS OTHERWISE SPECIFIED ALL DIMENSIONS ARE NOMINAL. 2. ALL SPECIFICATIONS ARE SUBJECT TO CHANGE WITHOUT NOTICE AT ANY TIME. 3. DIMENSIONS ARE IN INCHES [mm].</p>						
<p>TITLE</p> <p>WR-42 Waveguide H-Bend Using UG-595/U Flange with a 18 GHz to 26.5 GHz Frequency Range</p>		<p>DWG NO</p> <p>FMW42B100</p>		<p>CAGE CODE</p> <p>3FKR5</p>				
CAD FILE	07/05/19	SHEET	1 OF 1	SCALE	N/A	SIZE	A	7361