

WR-28 Waveguide Continuously Variable Attenuator with Dial 0 to 30 dB Operating from 26.5 GHz to 40 GHz, UG-599/U Square Cover Flange

Fairview Microwave's Continuously Variable Waveguide Attenuators are offered for the frequency range of 18 to 110 GHz in different waveguide bands. The attenuation value of the Continuously Variable attenuators are from 0 to 30 dB with full waveguide operational bandwidth. The Continuously Variable attenuators are equipped with a micrometer, which enables rapid re-setting. With calibrated charts, attenuators can be used as direct reading attenuator for bench top test set use. The level setting attenuators are typically used in the test setups and prototype assemblies where certain attenuation is required.



Features:

- 30 dB Attenuation Level
- Rotary Dial for Continuous Adjustments
- Frequency Range: 26.5 GHz to 40 GHz
- Typical VSWR 1.15:1
- Max Power Rating: 5 Watts (CW)

Electrical Specifications*

Description	Min	Typ	Max	Units
Frequency Range	26.5		40	GHz
Typical Attenuation Value	0		30	dB
Insertion Loss		0.3		dB
Input Power (CW)			5	Watts
VSWR		1.15:1		

Values at 25°C, sea level

Mechanical Specifications

Flange 1

Interface UG-599/U
 Material Brass
 Plating Gold

Waveguide

Interface WR-28
 Material Copper
 Plating Gold

Flange 2

Interface UG-599/U
 Material Brass
 Plating Gold

Size

Length 2.75 in [69.85 mm]
 Width 1.375 in [34.93 mm]
 Height 2.572 in [65.33 mm]
 Weight 0.22 lbs [99.79 g]

Compliance Certifications (see [product page](#) for current document)

Plotted and Other Data

- Notes:
- Values at 25 °C, sea level

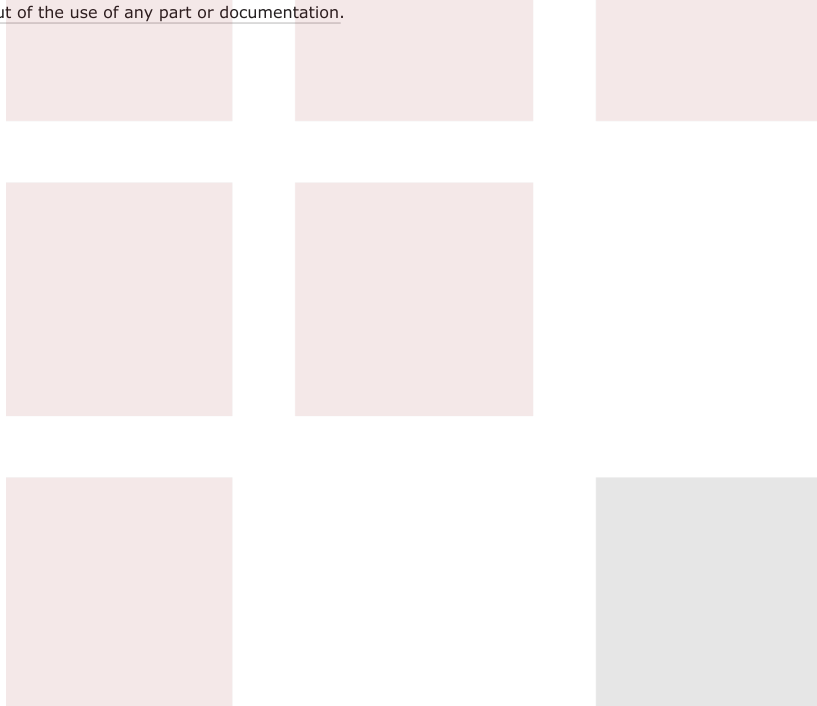
Fairview Microwave
 301 Leora Ln., Suite 100
 Lewisville, TX 75056
 Tel: 1-800-715-4396 / (972) 649-6678
 Fax: (972) 649-6689
www.fairviewmicrowave.com
sales@fairviewmicrowave.com

WR-28 Waveguide Continuously Variable Attenuator with Dial 0 to 30 dB Operating from 26.5 GHz to 40 GHz, UG-599/U Square Cover Flange from Fairview Microwave is in-stock and available to ship same-day. All of our RF/microwave products are available off-the-shelf from our ISO 9001:2008 certified facilities in Lewisville, Texas. Fairview Microwave is RF on-demand.

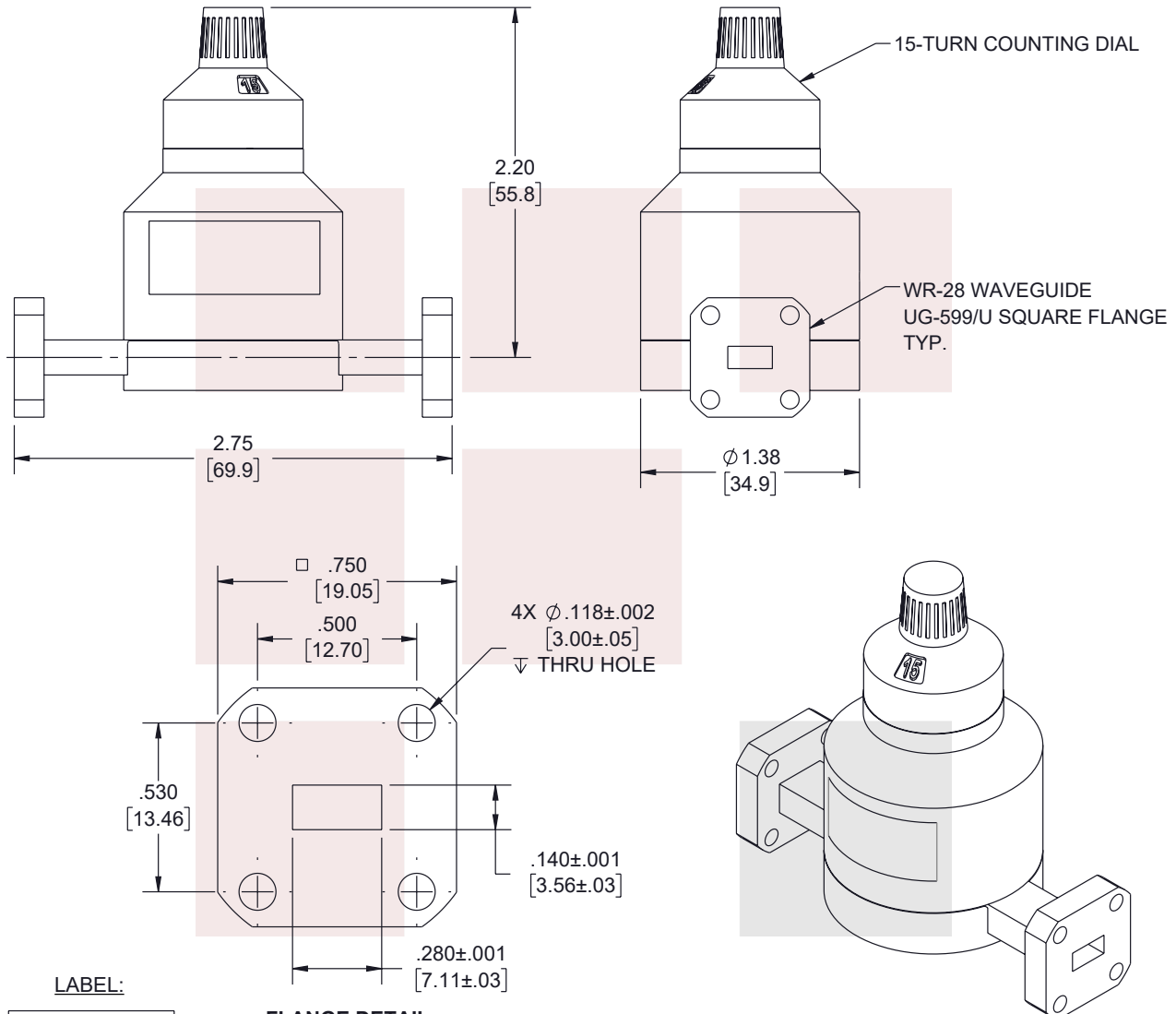
For additional information on this product, please click the following link: [WR-28 Waveguide Continuously Variable Attenuator with Dial 0 to 30 dB Operating from 26.5 GHz to 40 GHz, UG-599/U Square Cover Flange FMW28AT001-30](#)

URL: <https://www.fairviewmicrowave.com/wr-28-waveguide-continuously-variable-attenuator-30-db-ug599-square-fm-w28at001-30-p.aspx>

The information contained in this document is accurate to the best of our knowledge and representative of the part described herein. It may be necessary to make modifications to the part and/or the documentation of the part, in order to implement improvements. Fairview Microwave reserves the right to make such changes as required. Unless otherwise stated, all specifications are nominal. Fairview Microwave does not make any representation or warranty regarding the suitability of the part described herein for any particular purpose, and Fairview Microwave does not assume any liability arising out of the use of any part or documentation.



REVISIONS			
REV.	DESCRIPTION	DATE	APPROVED
A	INITIAL RELEASE	10/19/22	SPONG



THESE COMMODITIES, TECHNOLOGY OR SOFTWARE WERE EXPORTED FROM THE UNITED STATES IN ACCORDANCE WITH THE EXPORT ADMINISTRATION REGULATIONS. DIVERSION CONTRARY TO U.S. LAW PROHIBITED.

<p>Fairview Microwave an INFINIT® brand</p>	UNLESS OTHERWISE SPECIFIED LEADING DIMENSIONS ARE INCHES DIMENSIONS IN [] ARE MILLIMETERS		THIRD-ANGLE PROJECTION 	
	TOLERANCES: .X = ±.2 [5.08] FRACTIONS ± 1/32 .XX = ±.02 [.51] ANGLES ± 1° .XXX = ±.005 [.13]		CABLE LENGTH (L) TOLERANCES: L ≤ 12 [305] = +1 [25] / -0 12 [305] < L ≤ 60 [1524] = +2 [51] / -0 60 [1524] < L ≤ 120 [3048] = +4 [102] / -0 120 [3048] < L ≤ 300 [7620] = +6 [152] / -0 300 [7620] < L = +5%L / -0	
TITLE WR-28 Waveguide Continuously Variable Attenuator with Dial 0 to 30 dB Operating from 26.5 GHz to 40 GHz, UG-599/U Square Cover Flange				
ALL DIMENSIONS SHOWN ARE FOR REFERENCE ONLY.			SCALE N/A	
SIZE A	CAGE CODE 3FKR5	DRAWN BY HBAKKE	ITEM NO. FMW28AT001-30	REV A

T-Rev.D