

WR-22 Waveguide Continuously Variable Attenuator
with Dial 0 to 30 dB Operating from 33 GHz to
50 GHz, UG-383/U Round Cover Flange



FMW22AT003-30

Features

- 30 dB Attenuation Level
- Rotary Dial for Continuous Adjustments
- Frequency Range: 33 GHz to 50 GHz
- Maximum VSWR 1.25:1
- Max Power Rating: 0.5 Watt (CW)

Description

Fairview Microwave's Continuously Variable Waveguide Attenuators are offered for the frequency range of 33 to 50 GHz in different waveguide bands. The attenuation value of the Continuously Variable attenuators are from 0 to 30 dB with full waveguide operational bandwidth. The Continuously Variable attenuators are equipped with a micrometer, which enables rapid re-setting. With calibrated charts, attenuators can be used as direct reading attenuator for bench top test set use. The level setting attenuators are typically used in the test setups and prototype assemblies where certain attenuation is required.

Configuration

Design	Continuously Variable Attenuator
Waveguide	WR-22
Flange	UG-383/U
Step Type	Dial
Body Material and Plating	Brass, Gold

Electrical Specifications Values at 25°C, sea level

Description	Minimum	Typical	Maximum	Units
Frequency Range	33		50	GHz
Typical Attenuation Value	0		30	dB
Insertion Loss		0.5		dB
Input Power (CW)			0.5	Watts
VSWR			1.25:1	

Mechanical Specifications

Description	Flange 1	Waveguide	Flange 2
Interface	UG-383/U	WR-22	UG-383/U
Material	Brass	Brass	Brass
Plating	Gold	Gold	Gold

Temperature

Operating Range	-40 to +70 deg C
Storage Range	-55 to +85 deg C

Size

Length	3.228 in [81.99 mm]
Width	1.126 in [28.6 mm]
Height	2.701 in [68.61 mm]
Weight	0.033 lbs [14.97 g]

WR-22 Waveguide Continuously Variable Attenuator with Dial 0 to 30 dB Operating from 33 GHz to 50 GHz, UG-383/U Round Cover Flange



FMW22AT003-30

Compliance Certifications (see [product page](#) for current document)

Plotted and Other Data

Notes:

- Values at 25 °C, sea level

WR-22 Waveguide Continuously Variable Attenuator with Dial 0 to 30 dB Operating from 33 GHz to 50 GHz, UG-383/U Round Cover Flange from Fairview Microwave is in-stock and available to ship same-day. All of our RF/microwave products are available off-the-shelf from our ISO 9001:2008 certified facilities in Lewisville, Texas. Fairview Microwave is RF on-demand.

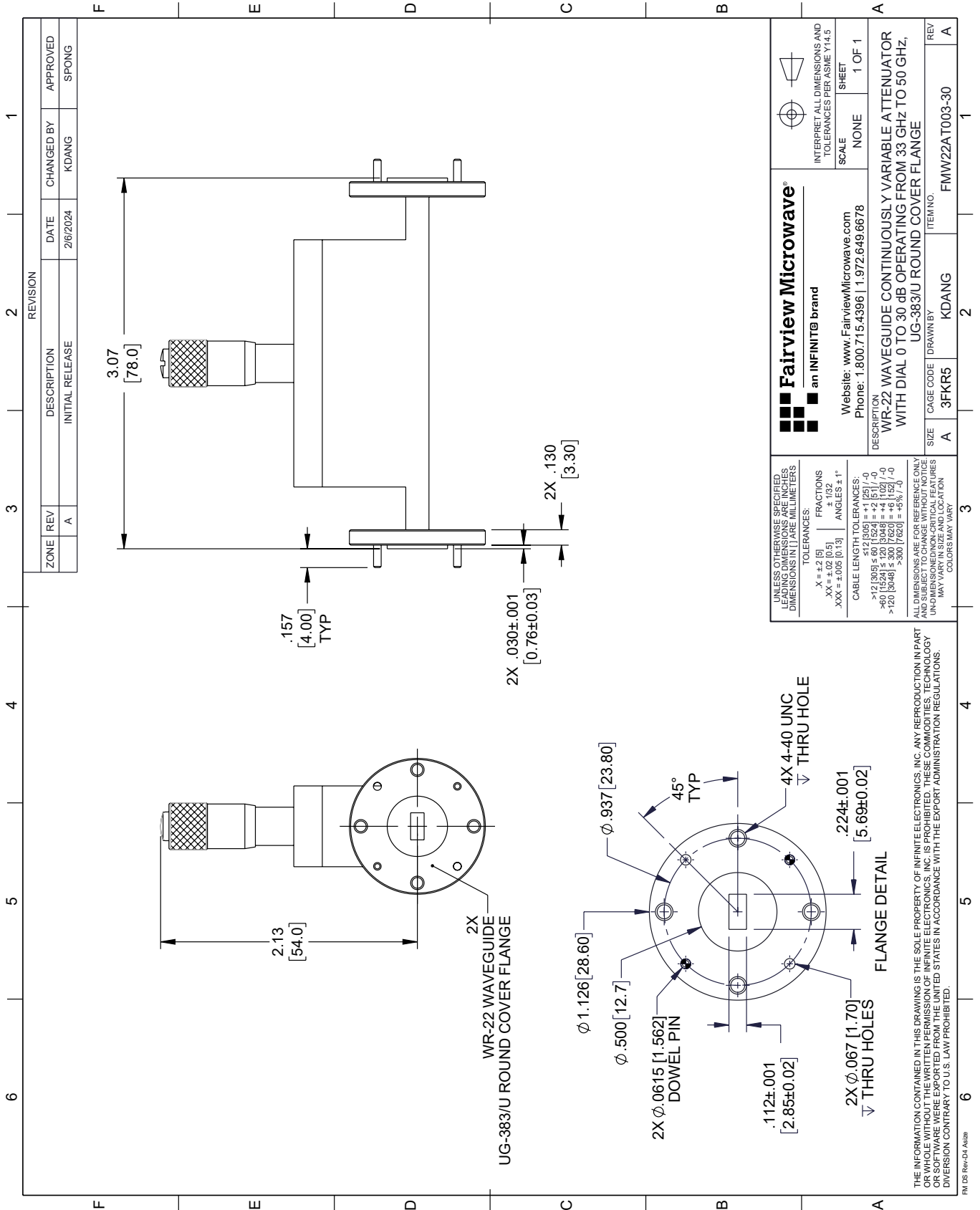
For additional information on this product, please click the following link: [WR-22 Waveguide Continuously Variable Attenuator with Dial 0 to 30 dB Operating from 33 GHz to 50 GHz, UG-383/U Round Cover Flange FMW22AT003-30](#)

URL: <https://www.fairviewmicrowave.com/wr-22-waveguide-continuously-variable-attenuator-30-db-ug383-round-fm-w22at003-30-p.aspx>

The information contained within this document is accurate to the best of our knowledge and representative of the part described herein. It may be necessary to make modifications to the part and/or the documentation of the part in order to implement improvements. Fairview Microwave reserves the right to make such changes as required. Unless otherwise stated, all specifications are nominal. Fairview Microwave does not make any representation or warranty regarding the suitability of the part described herein for any particular purpose, and Fairview Microwave does not assume liability arising out of the use of any part or document.

FMW22AT003-30 CAD Drawing

WR-22 Waveguide Continuously Variable Attenuator with Dial 0 to 30 dB
 Operating from 33 GHz to 50 GHz, UG-383/U Round Cover Flange



ZONE	REV	DESCRIPTION	DATE	CHANGED BY	APPROVED
	A	INITIAL RELEASE	2/6/2024	KDANG	SPONG

REVISION	DATE	CHANGED BY	APPROVED
1		KDANG	SPONG

Fairview Microwave®
 an INFINIT® brand

Website: www.FairviewMicrowave.com
 Phone: 1.800.715.4396 | 1.972.649.6678

DESCRIPTION: WR-22 WAVEGUIDE CONTINUOUSLY VARIABLE ATTENUATOR WITH DIAL 0 TO 30 dB OPERATING FROM 33 GHz TO 50 GHz, UG-383/U ROUND COVER FLANGE

SCALE: NONE
 SHEET: 1 OF 1

INTERPRET ALL DIMENSIONS AND TOLERANCES PER ASME Y14.5

SIZE	A	3FKR5	KDANG	FMW22AT003-30
CAGE CODE				
ITEM NO.				

UNLESS OTHERWISE SPECIFIED, LEADING DIMENSIONS ARE IN INCHES, DIMENSIONS IN [] ARE MILLIMETERS.

TOLERANCES:
 .X = ±.2 [5]
 .XX = ±.02 [0.5]
 .XXX = ±.005 [0.13]

FRACTIONS: ± 1/32
 ANGLES: ± 1°

CABLE LENGTH TOLERANCES:
 >12 [305] ≤ 60 [1524] = ±.125 [-0
 >60 [1524] ≤ 120 [3048] = ±.102 [-0
 >120 [3048] ≤ 300 [7620] = ±.5% [-0
 >300 [7620] = ±.5% [-0

ALL DIMENSIONS ARE FOR REFERENCE ONLY. UNLESS OTHERWISE SPECIFIED, DIMENSIONS ARE IN INCHES AND LOCATION MAY VARY IN SIZE AND LOCATION. COLORS MAY VARY.

THE INFORMATION CONTAINED IN THIS DRAWING IS THE SOLE PROPERTY OF INFINITE ELECTRONICS, INC. ANY REPRODUCTION IN PART OR WHOLE WITHOUT THE WRITTEN PERMISSION OF INFINITE ELECTRONICS, INC. IS PROHIBITED. THESE COMMODITIES, TECHNOLOGY OR SOFTWARE WERE EXPORTED FROM THE UNITED STATES IN ACCORDANCE WITH THE EXPORT ADMINISTRATION REGULATIONS. DIVISION CONTRARY TO U.S. LAW PROHIBITED.

PM DS Rev-D4 Alt2