

## WR-229 Waveguide Termination 5 Watts with a 3.22 GHz to 4.9 GHz Frequency Range, Aluminum with CPR-229F Flange

The FMW229TR1001 is a WR-229 waveguide termination/load that operates in the frequency range of 3.22 GHz to 4.9 GHz. This WR-229 waveguide termination has a Max VSWR of 1.03:1. This waveguide termination design is made of painted aluminum and incorporates a CPR-229F flange. In addition to waveguide termination product line, Fairview Microwave also offers a wide range of waveguide products which are available in stock and ready for same-day shipment.

### Electrical Specifications

Description	Min	Typ	Max	Units
Frequency Range	3.22		4.9	GHz
VSWR			1.03:1	
Input Power (CW)			5	Watts

### Mechanical Specifications

Size	
Length	9.84 in [249.94 mm]
Width/Dia.	2.75 in [69.85 mm]
Height	3.87 in [98.3 mm]
Weight	0.5 lbs [226.8 g]

Description	Flange	Waveguide
Designation		WR-229
Type	CPR-229F	
Material	Aluminum	Aluminum
Plating	Chromate	Chromate
Finish		Grey paint

### Environmental Specifications

Temperature	
Operating Range	-40 to +70 deg C

**Compliance Certifications** (see [product page](#) for current document)

### Plotted and Other Data

Notes:



### Features:

- WR-229 Waveguide
- Operating Frequency Range from 3.22 GHz to 4.9 GHz
- CPR-229F Flange
- 1.03:1 Max VSWR
- 5 Watts Average Power Handling

### Applications:

- Radar Systems
- Military and Space
- Wireless Radio Systems
- Telecom Infrastructure
- Communication Systems
- R&D Labs
- Microwave Radio Systems

Fairview Microwave  
 301 Leora Ln., Suite 100  
 Lewisville, TX 75056  
 Tel: 1-800-715-4396 / (972) 649-6678  
 Fax: (972) 649-6689  
[www.fairviewmicrowave.com](http://www.fairviewmicrowave.com)  
[sales@fairviewmicrowave.com](mailto:sales@fairviewmicrowave.com)

WR-229 Waveguide Termination 5 Watts with a 3.22 GHz to 4.9 GHz Frequency Range, Aluminum with CPR-229F Flange from Fairview Microwave is in-stock and available to ship same-day. All of our RF/microwave products are available off-the-shelf from our ISO 9001:2008 certified facilities in Lewisville, Texas. Fairview Microwave is RF on-demand.

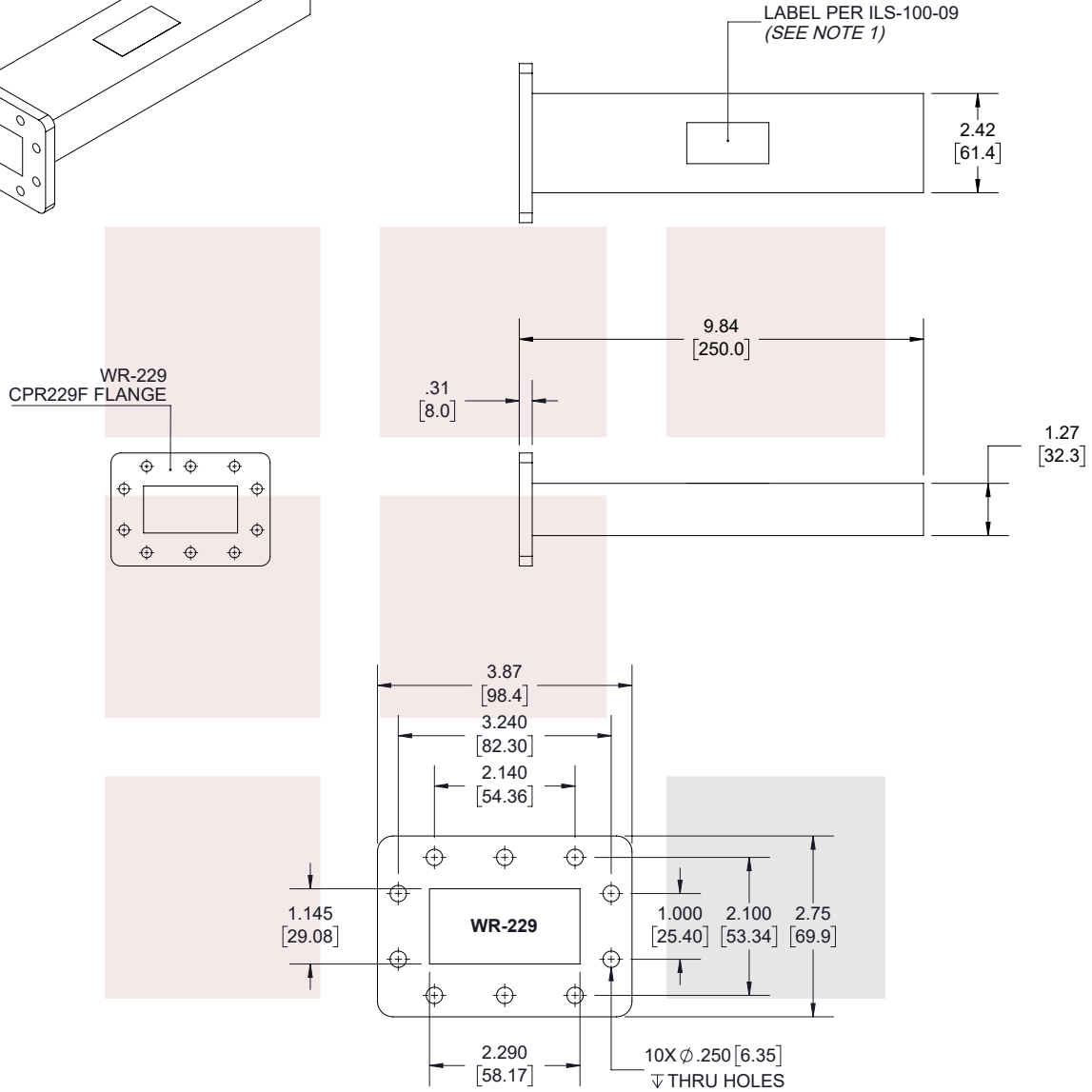
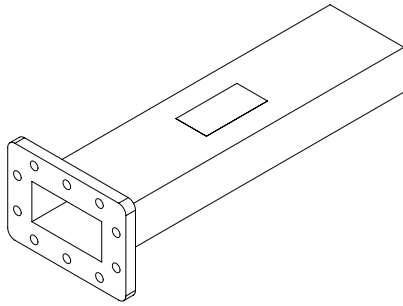
For additional information on this product, please click the following link: [WR-229 Waveguide Termination 5 Watts with a 3.22 GHz to 4.9 GHz Frequency Range, Aluminum with CPR-229F Flange FMW229TR1001](#)

URL: <https://www.fairviewmicrowave.com/wr-229-waveguide-termination-5-watts-instrumentation-grade-3.22-4.9-ghz-fmw229tr1001-p.aspx>

The information contained in this document is accurate to the best of our knowledge and representative of the part described herein. It may be necessary to make modifications to the part and/or the documentation of the part, in order to implement improvements. Fairview Microwave reserves the right to make such changes as required. Unless otherwise stated, all specifications are nominal. Fairview Microwave does not make any representation or warranty regarding the suitability of the part described herein for any particular purpose, and Fairview Microwave does not assume any liability arising out of the use of any part or documentation.



REVISIONS			
REV.	DESCRIPTION	DATE	APPROVED
A	INITIAL RELEASE	3/24/2021	S.PONG



**FLANGE DETAIL**

**NOTES:**

- LABEL PER ILS-100-09. FOR INTERNAL USE ONLY. LABEL LOCATION FOR REFERENCE ONLY.

THESE COMMODITIES, TECHNOLOGY OR SOFTWARE WERE EXPORTED FROM THE UNITED STATES IN ACCORDANCE WITH THE EXPORT ADMINISTRATION REGULATIONS. DIVERSION CONTRARY TO U.S. LAW PROHIBITED.

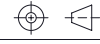
TITLE  
WR-229 Waveguide Termination 5 Watts with a 3.22 GHz to 4.9 GHz Frequency Range, Aluminum with CPR-229F Flange

UNLESS OTHERWISE SPECIFIED LEADING DIMENSIONS ARE INCHES  
DIMENSIONS IN [ ] ARE MILLIMETERS

TOLERANCES: CABLE LENGTH (L) TOLERANCES:

.X = ±.2 [5.08]	FRACTIONS	L ≤ 12 [305] = +1 [25] / -0
.XX = ±.02 [.51]	± 1/32	12 [305] < L ≤ 60 [1524] = +2 [51] / -0
.XXX = ±.005 [.13]	ANGLES ± 1°	60 [1524] < L ≤ 120 [3048] = +4 [102] / -0
		120 [3048] < L ≤ 300 [7620] = +6 [152] / -0
		300 [7620] < L = +5%L / -0

THIRD-ANGLE PROJECTION



THE INFORMATION AND DESIGN IN THIS DOCUMENT IS THE PROPERTY OF FAIRVIEW MICROWAVE CORPORATION. ALL RIGHTS RESERVED.

SHEET 1 OF 1

ALL DIMENSIONS SHOWN ARE FOR REFERENCE ONLY.

SCALE N/A

SIZE A	CAGE CODE 3FKR5	DRAWN BY K.DANG	ITEM NO. FMW229TR1001	REV A
-----------	--------------------	--------------------	--------------------------	----------

T-Rev.D