

WR-187 Waveguide Termination
5 Watts with a 3.94 GHz to 5.99 GHz Frequency
Range, Aluminum with CPR-187F Flange



FMW187TR1002

Features

- WR-187 Waveguide
- Operating Frequency Range from 3.94 GHz to 5.99 GHz
- CPR-187F Flange
- 1.03:1 Max VSWR
- 5 Watts Average Power Handling

Applications

- Radar Systems
- Military and Space
- Wireless Radio Systems
- Telecom Infrastructure
- Communication Systems
- R&D Labs
- Microwave Radio Systems

Description

The FMW187TR1002 is a WR-187 waveguide termination/load that operates in the frequency range of 3.94 GHz to 5.99 GHz. This WR-187 waveguide termination has a Max VSWR of 1.03:1. This waveguide termination design is made of painted aluminum and incorporates a CPR-187F flange. In addition to waveguide termination product line, Fairview Microwave also offers a wide range of waveguide products which are available in stock and ready for same-day shipment.

Electrical Specifications

Description	Minimum	Typical	Maximum	Units
Frequency Range	3.94		5.99	GHz
VSWR			1.03:1	
Input Power (CW)			5	Watts

Mechanical Specifications

Size

Length	8.66 in [219.96 mm]
Width/Dia.	2.5 in [63.5 mm]
Height	3.5 in [88.9 mm]
Weight	0.31 lbs [140.61 g]

Description	Flange	Waveguide
Designation		WR-187
Type	CPR-187F	
Material	Aluminum	Aluminum
Plating	Chromate	Chromate
Finish		Grey paint

Environmental Specifications

Temperature

Operating Range	-40 to +70 deg C
-----------------	------------------

WR-187 Waveguide Termination
5 Watts with a 3.94 GHz to 5.99 GHz Frequency
Range, Aluminum with CPR-187F Flange



FMW187TR1002

Compliance Certifications (see [product page](#) for current document)

Plotted and Other Data

WR-187 Waveguide Termination 5 Watts with a 3.94 GHz to 5.99 GHz Frequency Range, Aluminum with CPR-187F Flange from Fairview Microwave is in-stock and available to ship same-day. All of our RF/microwave products are available off-the-shelf from our ISO 9001:2008 certified facilities in Lewisville, Texas. Fairview Microwave is RF on-demand.

For additional information on this product, please click the following link: [WR-187 Waveguide Termination 5 Watts with a 3.94 GHz to 5.99 GHz Frequency Range, Aluminum with CPR-187F Flange FMW187TR1002](#)

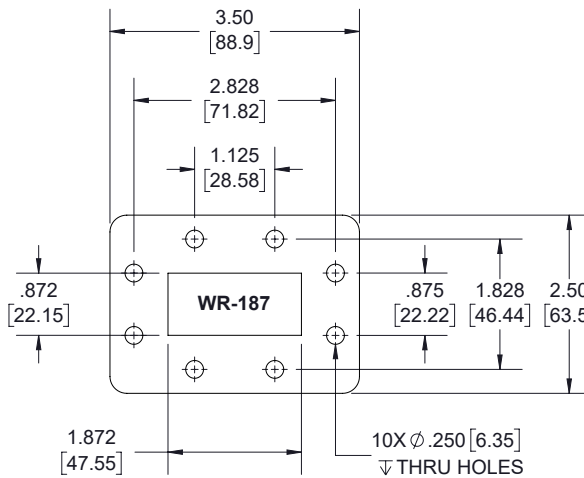
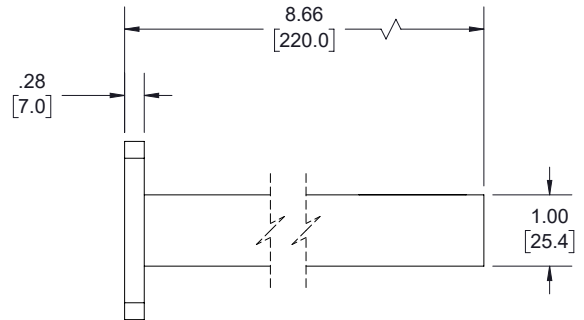
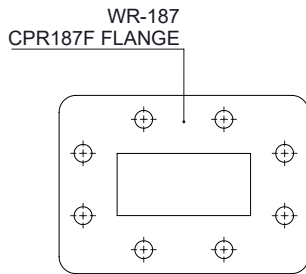
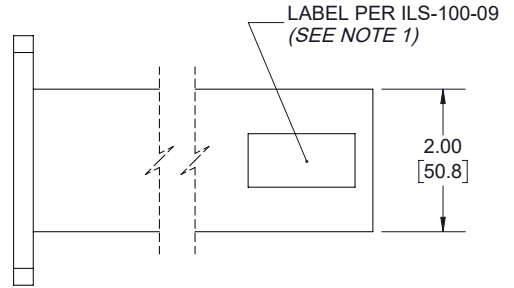
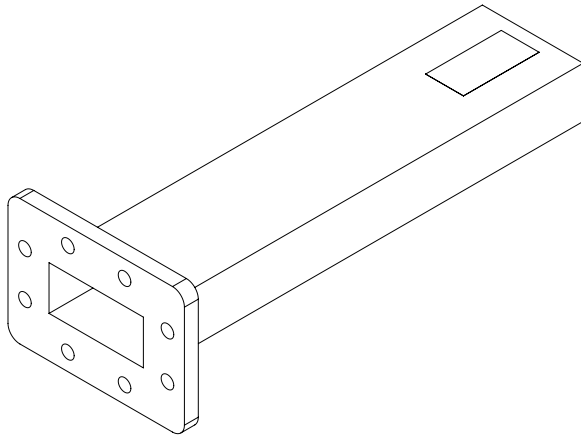
URL: <https://www.fairviewmicrowave.com/wr-187-waveguide-termination-5-watts-instrumentation-grade-3.94-5.99-ghz-fmw187tr1002-p.aspx>

The information contained within this document is accurate to the best of our knowledge and representative of the part described herein. It may be necessary to make modifications to the part and/or the documentation of the part in order to implement improvements. Fairview Microwave reserves the right to make such changes as required. Unless otherwise stated, all specifications are nominal. Fairview Microwave does not make any representation or warranty regarding the suitability of the part described herein for any particular purpose, and Fairview Microwave does not assume liability arising out of the use of any part or document.

FMW187TR1002 CAD Drawing

WR-187 Waveguide Termination 5 Watts with a 3.94 GHz to 5.99 GHz Frequency Range, Aluminum with CPR-187F Flange

REVISIONS			
REV.	DESCRIPTION	DATE	APPROVED
A	INITIAL RELEASE	3/24/2021	S.PONG



NOTES:

- LABEL PER ILS-100-09. FOR INTERNAL USE ONLY. LABEL LOCATION FOR REFERENCE ONLY.

THESE COMMODITIES, TECHNOLOGY OR SOFTWARE WERE EXPORTED FROM THE UNITED STATES IN ACCORDANCE WITH THE EXPORT ADMINISTRATION REGULATIONS. DIVERSION CONTRARY TO U.S. LAW PROHIBITED.

FLANGE DETAIL



TITLE

UNLESS OTHERWISE SPECIFIED LEADING DIMENSIONS ARE INCHES
DIMENSIONS IN [] ARE MILLIMETERS

TOLERANCES: CABLE LENGTH (L) TOLERANCES:

.X = ±.2 [5.08]	FRACTIONS ± 1/32	L ≤ 12 [305] = +1 [25] / -0
.XX = ±.02 [.51]	ANGLES ± 1°	12 [305] < L ≤ 60 [1524] = +2 [51] / -0
.XXX = ±.005 [.13]		60 [1524] < L ≤ 120 [3048] = +4 [102] / -0
		120 [3048] < L ≤ 300 [7620] = +6 [152] / -0
		300 [7620] < L = +5%L / -0

THIRD-ANGLE PROJECTION



THE INFORMATION AND DESIGN IN THIS DOCUMENT IS THE PROPERTY OF FAIRVIEW MICROWAVE CORPORATION. ALL RIGHTS RESERVED.

SHEET 1 OF 1

SCALE N/A

ALL DIMENSIONS SHOWN ARE FOR REFERENCE ONLY.

SIZE A	CAGE CODE 3FKR5	DRAWN BY K.DANG	ITEM NO. FMW187TR1002	REV A
-----------	--------------------	--------------------	--------------------------	----------

T-Rev.D