

WR-159 Waveguide Termination 50 Watts with a 4.8 GHz to 5.2 GHz Frequency Range, Brass with CPR-159F Flange

The FMW159TR1001 is a WR-159 waveguide termination/load that operates in the frequency range of 4.8 GHz to 5.2 GHz. This WR-159 waveguide termination has a Max VSWR of 1.2:1. This waveguide termination design is made of painted brass and incorporates a CPR-159F flange. In addition to waveguide termination product line, Fairview Microwave also offers a wide range of waveguide products which are available in stock and ready for same-day shipment.

Electrical Specifications

Description	Min	Typ	Max	Units
Frequency Range	4.8		5.2	GHz
VSWR			1.2:1	
Input Power (CW)			50	Watts

Mechanical Specifications

Size	
Length	3.94 in [100.08 mm]
Width/Dia.	2.44 in [61.98 mm]
Height	3.35 in [85.09 mm]
Weight	0.75 lbs [340.19 g]

Description	Flange	Waveguide
Designation		WR-159
Type	CPR-159F	
Material	Brass	Brass
Plating	Passivated	Passivated
Finish		Grey paint

Environmental Specifications

Temperature	
Operating Range	-40 to +70 deg C

Compliance Certifications (see [product page](#) for current document)

Plotted and Other Data

Notes:



Features:

- WR-159 Waveguide
- Operating Frequency Range from 4.8 GHz to 5.2 GHz
- CPR-159F Flange
- 1.2:1 Max 50 Watts Average Power Handling

Applications:

- Radar Systems
- Military and Space
- Wireless Radio Systems
- Telecom Infrastructure
- Communication Systems
- R&D Labs
- Microwave Radio Systems

Fairview Microwave
301 Leora Ln., Suite 100
Lewisville, TX 75056
Tel: 1-800-715-4396 / (972) 649-6678
Fax: (972) 649-6689
www.fairviewmicrowave.com
sales@fairviewmicrowave.com

WR-159 Waveguide Termination 50 Watts with a 4.8 GHz to 5.2 GHz Frequency Range, Brass with CPR-159F Flange from Fairview Microwave is in-stock and available to ship same-day. All of our RF/microwave products are available off-the-shelf from our ISO 9001:2008 certified facilities in Lewisville, Texas. Fairview Microwave is RF on-demand.

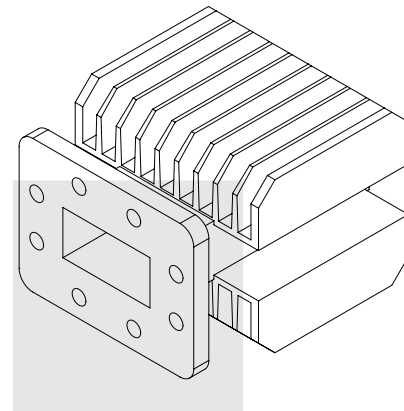
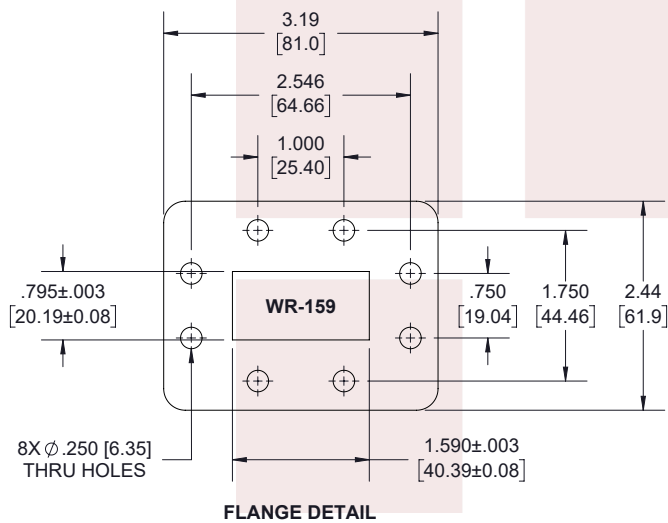
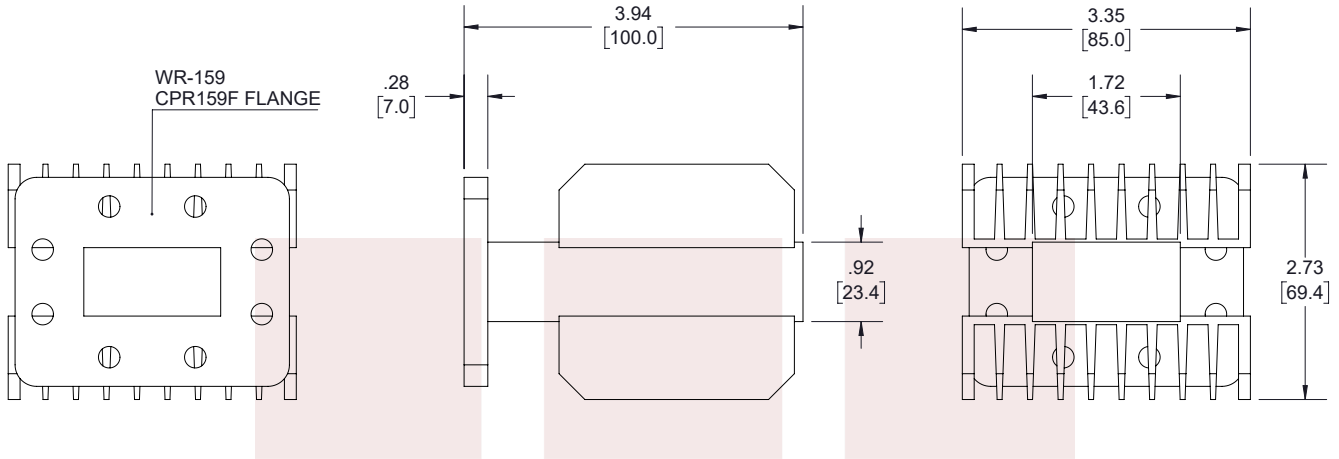
For additional information on this product, please click the following link: [WR-159 Waveguide Termination 50 Watts with a 4.8 GHz to 5.2 GHz Frequency Range, Brass with CPR-159F Flange FMW159TR1001](#)

URL: <https://www.fairviewmicrowave.com/wr-159-waveguide-termination-50-watts-instrumentation-grade-4.8-5.2-ghz-fmw159tr1001-p.aspx>

The information contained in this document is accurate to the best of our knowledge and representative of the part described herein. It may be necessary to make modifications to the part and/or the documentation of the part, in order to implement improvements. Fairview Microwave reserves the right to make such changes as required. Unless otherwise stated, all specifications are nominal. Fairview Microwave does not make any representation or warranty regarding the suitability of the part described herein for any particular purpose, and Fairview Microwave does not assume any liability arising out of the use of any part or documentation.



REVISIONS			
REV.	DESCRIPTION	DATE	APPROVED
A	INITIAL RELEASE	3/23/2021	S.PONG



NOTES:

- LABEL PER ILS-100-09. FOR INTERNAL USE ONLY. LABEL LOCATION FOR REFERENCE ONLY.

THESE COMMODITIES, TECHNOLOGY OR SOFTWARE WERE EXPORTED FROM THE UNITED STATES IN ACCORDANCE WITH THE EXPORT ADMINISTRATION REGULATIONS. DIVERSION CONTRARY TO U.S. LAW PROHIBITED.

<p>Fairview Microwave an INFINIT[®] brand</p>	UNLESS OTHERWISE SPECIFIED LEADING DIMENSIONS ARE INCHES DIMENSIONS IN [] ARE MILLIMETERS		THIRD-ANGLE PROJECTION 		
	TOLERANCES:		CABLE LENGTH (L) TOLERANCES:		
.X = ±.2 [5.08] FRACTIONS ± 1/32 .XX = ±.02 [.51] ANGLES ± 1° .XXX = ±.005 [.13]		L ≤ 12 [305] = +1 [25] / -0 12 [305] < L ≤ 60 [1524] = +2 [51] / -0 60 [1524] < L ≤ 120 [3048] = +4 [102] / -0 120 [3048] < L ≤ 300 [7620] = +6 [152] / -0 300 [7620] < L = +5% / -0		THE INFORMATION AND DESIGN IN THIS DOCUMENT IS THE PROPERTY OF FAIRVIEW MICROWAVE CORPORATION. ALL RIGHTS RESERVED.	
ALL DIMENSIONS SHOWN ARE FOR REFERENCE ONLY.			SHEET 1 OF 1		
TITLE WR-159 Waveguide Termination 50 Watts with a 4.8 GHz to 5.2 GHz Frequency Range, Brass with CPR-159F Flange			SCALE N/A		
SIZE A	CAGE CODE 3FKR5	DRAWN BY K.DANG	ITEM NO. FMW159TR1001	REV A	

T-Rev.D