

WR-112 Waveguide Gasket For UG Square Grooved Flanges, Conductive Silicone Elastomer



FMW112GG01

Features

- WR-112
- Conductive
- Silicone Rubber
- For UG Grooved Flanges

Applications

- Satellite Communications
- Radar Systems
- Test and Laboratory Setups

Description

This conductive gasket is designed to connect two waveguide flanges using stainless steel screws and washers. The FMW112GG01 gasket is specifically made for WR-112 UG Square Grooved waveguide flanges. The gasket itself is made of Conductive Silicone Rubber, providing a durable and flexible seal.

Fairview Microwave has waveguide gaskets (both conductive and non-conductive), screws and other accessories that you need for your waveguides. Often people can forget to order items like screws or waveguide supports. Fairview Microwave has a full line of waveguide accessories available for same day shipment so that you do not have to wait for weeks to get your system working.

Mechanical Specifications

Body Material	Conductive Silicone Rubber
Length	1.57 in [39.88 mm]
Width	1.57 in [39.88 mm]
Height	0.1 in [2.54 mm]
Weight	3.5 lbs [1.59 kg]

Environmental Specifications

Temperature Operating Range	-40 to 70 deg C
---------------------------------------	-----------------

Compliance Certifications (see [product page](#) for current document)

WR-112 Waveguide Gasket For UG Square Grooved Flanges, Conductive Silicone Elastomer from Fairview Microwave is in-stock and available to ship same-day. All of our RF/microwave products are available off-the-shelf from our ISO 9001:2008 certified facilities in Lewisville, Texas. Fairview Microwave is RF on-demand.

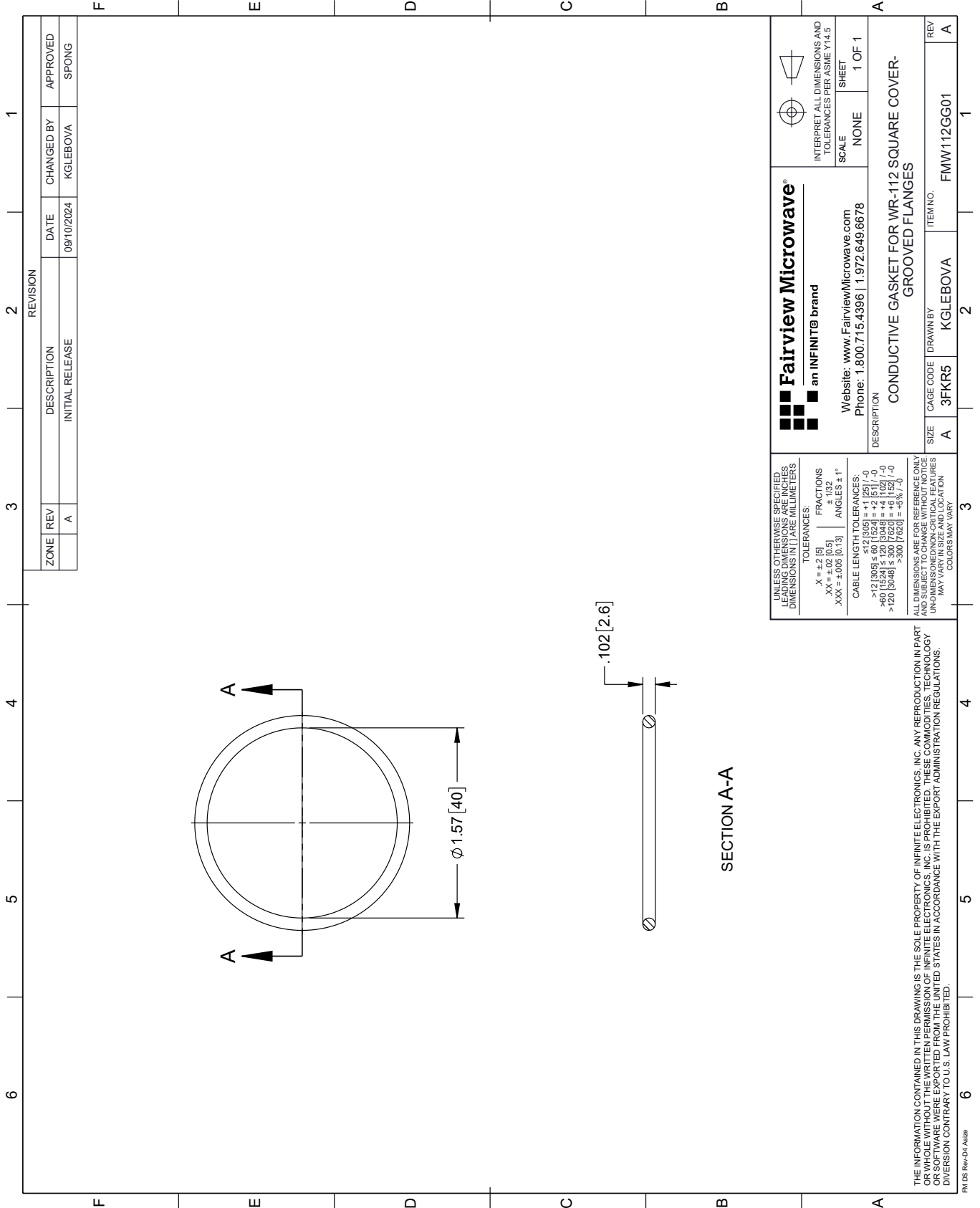
For additional information on this product, please click the following link: [WR-112 Waveguide Gasket For UG Square Grooved Flanges, Conductive Silicone Elastomer FMW112GG01](#)

URL: <https://www.fairviewmicrowave.com/wr-112-waveguide-gasket-for-cpr-grooved-flanges-conductive-silicone-elastomer-fmw112gg01-p.aspx>

The information contained within this document is accurate to the best of our knowledge and representative of the part described herein. It may be necessary to make modifications to the part and/or the documentation of the part in order to implement improvements. Fairview Microwave reserves the right to make such changes as required. Unless otherwise stated, all specifications are nominal. Fairview Microwave does not make any representation or warranty regarding the suitability of the part described herein for any particular purpose, and Fairview Microwave does not assume liability arising out of the use of any part or document.

FMW112GG01 CAD Drawing

WR-112 Waveguide Gasket For UG Square Grooved Flanges, Conductive Silicone Elastomer



REVISION		DATE	CHANGED BY	APPROVED
ZONE	REV			
	A	09/10/2024	KGLEBOVA	SPONG
DESCRIPTION				
INITIAL RELEASE				

Fairview Microwave®
an INFINIT® brand

Website: www.FairviewMicrowave.com
Phone: 1.800.715.4396 | 1.972.649.6678

UNLESS OTHERWISE SPECIFIED:
LEADING DIMENSIONS ARE IN INCHES
DIMENSIONS IN [] ARE MILLIMETERS

TOLERANCES:
.X = ±.2 [5] FRACTIONS ± 1/32
.XX = ±.02 [0.5] ANGLES ± 1°
.XXX = ±.005 [0.13]

CABLE LENGTH TOLERANCES:
>12 [305] ≤ 60 [1524] = ±.1 [25] / -0
>60 [1524] ≤ 120 [3048] = ±.4 [102] / -0
>120 [3048] ≤ 300 [7620] = ±.8 [20] / -0

ALL DIMENSIONS ARE FOR REFERENCE ONLY
UNLESS OTHERWISE SPECIFIED
DIMENSIONS/NON-CRITICAL FEATURES
MAY VARY IN SIZE AND LOCATION
COLORS MAY VARY

INTERPRET ALL DIMENSIONS AND TOLERANCES PER ASME Y14.5

SCALE: NONE
SHEET: 1 OF 1

DESCRIPTION: CONDUCTIVE GASKET FOR WR-112 SQUARE COVER-GROOVED FLANGES

SIZE	CAGE CODE	DRAWN BY	ITEM NO.
A	3FKR5	KGLEBOVA	FMW112GG01

REV: A

THE INFORMATION CONTAINED IN THIS DRAWING IS THE SOLE PROPERTY OF INFINITE ELECTRONICS, INC. ANY REPRODUCTION IN PART OR WHOLE WITHOUT THE WRITTEN PERMISSION OF INFINITE ELECTRONICS, INC. IS PROHIBITED. THESE COMMODITIES, TECHNOLOGY OR SOFTWARE WERE EXPORTED FROM THE UNITED STATES IN ACCORDANCE WITH THE EXPORT ADMINISTRATION REGULATIONS. DIVERSION CONTRARY TO U.S. LAW PROHIBITED.

FM DS Rev-D4 Alt2b