

WR-10 Waveguide Continuously Variable Attenuator with Dial 0 to 30 dB Operating from 75 GHz to 110 GHz, UG-387/U-Mod Round Cover Flange

Electrical Specifications*

Description	Min	Typ	Max	Units
Frequency Range	75		110	GHz
Impedance		50		Ohms
Typical Attenuation Value	0		30	dB
Insertion Loss			1	dB
Input Power			0.5	Watts

Values at 25°C, sea level

Mechanical Specifications

Flange 1

Interface	UG-387/U-Mod
Material	Copper
Plating	Gold
Color	GLD

Waveguide

Interface	WR-10
Material	Copper
Plating	Gold
Color	GLD

Flange 2

Interface	UG-387/U-Mod
Material	Copper
Plating	Gold
Color	GLD

Size

Length	2.5 in [63.5 mm]
Width	0.75 in [19.05 mm]
Height	2.18 in [55.37 mm]
Weight	0.2345 lbs [106.37 g]

Compliance Certifications (see [product page](#) for current document)

Plotted and Other Data

Notes:

- Values at 25 °C, sea level



Features:

- Design: Continuously Variable Attenuator
- Waveguide: WR-10
- Flange: UG-387/U-Mod
- Body Material and Plating: Copper, Gold

Fairview Microwave
 301 Leora Ln., Suite 100
 Lewisville, TX 75056
 Tel: 1-800-715-4396 / (972) 649-6678
 Fax: (972) 649-6689
www.fairviewmicrowave.com
sales@fairviewmicrowave.com

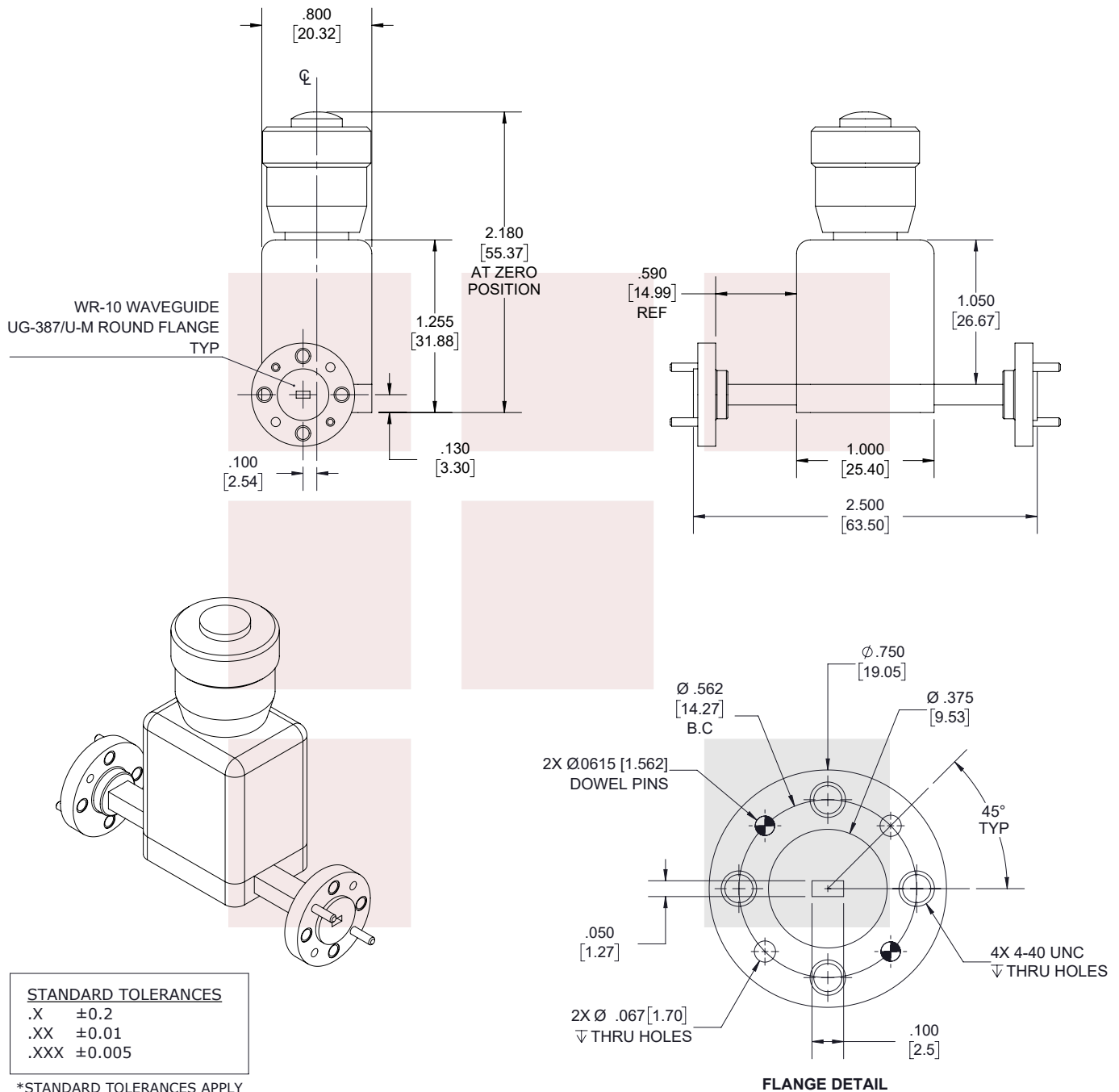
WR-10 Waveguide Continuously Variable Attenuator with Dial 0 to 30 dB Operating from 75 GHz to 110 GHz, UG-387/U-Mod Round Cover Flange from Fairview Microwave is in-stock and available to ship same-day. All of our RF/microwave products are available off-the-shelf from our ISO 9001:2008 certified facilities in Lewisville, Texas. Fairview Microwave is RF on-demand.

For additional information on this product, please click the following link: [WR-10 Waveguide Continuously Variable Attenuator with Dial 0 to 30 dB Operating from 75 GHz to 110 GHz, UG-387/U-Mod Round Cover Flange FMW10AT002-30](#)

URL: <https://www.fairviewmicrowave.com/wr-10-waveguide-continuously-variable-attenuator-30-db-ug387-mod-round-fmw10at002-30-p.aspx>


The information contained in this document is accurate to the best of our knowledge and representative of the part described herein. It may be necessary to make modifications to the part and/or the documentation of the part, in order to implement improvements. Fairview Microwave reserves the right to make such changes as required. Unless otherwise stated, all specifications are nominal. Fairview Microwave does not make any representation or warranty regarding the suitability of the part described herein for any particular purpose, and Fairview Microwave does not assume any liability arising out of the use of any part or documentation.





STANDARD TOLERANCES	
.X	±0.2
.XX	±0.01
.XXX	±0.005

*STANDARD TOLERANCES APPLY ONLY TO DIMENSIONS IN INCHES

 Fairview Microwave an INFINIT [®] brand	NOTES: 1. UNLESS OTHERWISE SPECIFIED ALL DIMENSIONS ARE NOMINAL. 2. ALL SPECIFICATIONS ARE SUBJECT TO CHANGE WITHOUT NOTICE AT ANY TIME. 3. DIMENSIONS ARE IN INCHES [mm].							
	DWG NO FMW10AT002-30			CAGE CODE 3FKR5				
TITLE WR-10 Waveguide Continuously Variable Attenuator with Dial 0 to 30 dB Operating from 75 GHz to 110 GHz, UG-387/U-Mod Round Cover Flange								
CAD FILE	10/15/19	SHEET	1 OF 1	SCALE	N/A	SIZE	A	7361