

RF Load 1 Watts to 40 GHz SMP Female Push-On VSWR 1.20

RF termination (also called RF load or dummy load) FMTR1115 from Fairview Microwave operates from DC to 40 GHz and handles up to 1 Watt (CW). This SMP termination (or load) is a 50 Ohm impedance and has a Female gender. FMTR1115 50 Ohm SMP load termination offers 1.2:1 max VSWR.

RF terminations / loads are critical passive components in many RF, microwave and millimeter wave systems where signal reflection from unused ports can reduce the signal integrity can potentially damage the device. By terminating an unused port with a matched load (dummy load), the incident energy will be absorbed with minimal reflection. These radio frequency termination components are commonly used to terminate devices such as couplers, circulators, and switches. Loads / terminations are also widely used in measurement systems to ensure accurate results. Fairview Microwave offers a large selection of in-stock RF, microwave and millimeter wave terminations up to 65 GHz with great performance over the entire operating range and with power handling capabilities up to 800 Watts (CW).

Electrical Specifications

Description	Min	Typ	Max	Units
Frequency Range	DC		40	GHz
Impedance		50		Ohms
VSWR			1.2:1	
Input Power (CW)			1	Watt

Mechanical Specifications

Size
Length 0.52 in [13.21 mm]

Configuration
Connector Push-On SMP Female
Durability 100 Cycles

Material Specifications

Description	Material	Plating
Connector 1 Contact	Beryllium Copper	Gold
Outer Conductor	Beryllium Copper	Gold
Body	Beryllium Copper	Gold

Mechanical Specification Notes:
Interface: MIL-STD-348B

Environmental Specifications

Temperature
Operating Range -40 to +105 deg C
Humidity MIL-STD-202, Method 106



Features:

- 50 Ohm RF Load
- DC to 40 GHz Frequency Range
- VSWR 1.20:1 Max
- Max Power 1 Watt (CW)
- SMP Female Coaxial Interface

Applications:

- Wireless
- SatCom
- Radar Systems
- Test and Measurement
- Commercial and Military Communication

Fairview Microwave
301 Leora Ln., Suite 100
Lewisville, TX 75056
Tel: 1-800-715-4396 / (972) 649-6678
Fax: (972) 649-6689
www.fairviewmicrowave.com
sales@fairviewmicrowave.com

Thermal Shock
Salt Spray

MIL-STD-202, Method 107, Condition B
MIL-STD-202, Method 101, Condition B

Compliance Certifications (see [product page](#) for current document)

Plotted and Other Data

Notes:

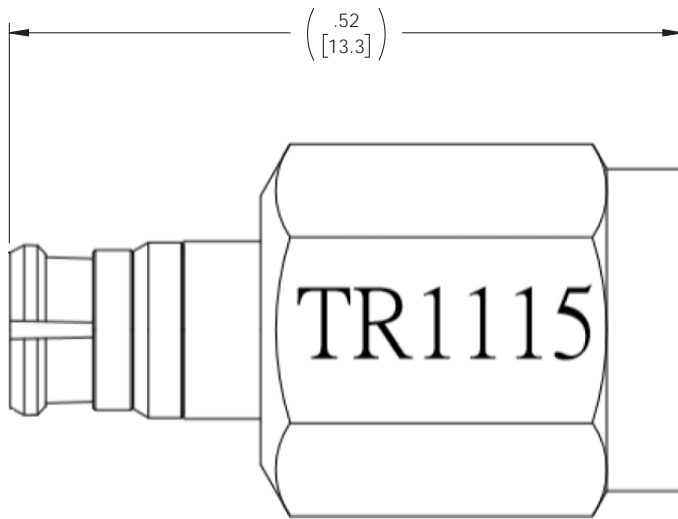
RF Load 1 Watts to 40 GHz SMP Female Push-On VSWR 1.20 from Fairview Microwave is in-stock and available to ship same-day. All of our RF/microwave products are available off-the-shelf from our ISO 9001:2008 certified facilities in Lewisville, Texas. Fairview Microwave is RF on-demand.

For additional information on this product, please click the following link: [RF Load 1 Watts to 40 GHz SMP Female Push-On VSWR 1.20 FMTR1115](#)


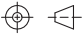
URL: <https://www.fairviewmicrowave.com/rf-load-1-watts-40-ghz-smp-female-fmtr1115-p.aspx>

The information contained in this document is accurate to the best of our knowledge and representative of the part described herein. It may be necessary to make modifications to the part and/or the documentation of the part, in order to implement improvements. Fairview Microwave reserves the right to make such changes as required. Unless otherwise stated, all specifications are nominal. Fairview Microwave does not make any representation or warranty regarding the suitability of the part described herein for any particular purpose, and Fairview Microwave does not assume any liability arising out of the use of any part or documentation.

REVISIONS			
REV.	DESCRIPTION	DATE	APPROVED
A	INITIAL RELEASE	01/06/2021	SPONG



THESE COMMODITIES, TECHNOLOGY OR SOFTWARE WERE EXPORTED FROM THE UNITED STATES IN ACCORDANCE WITH THE EXPORT ADMINISTRATION REGULATIONS. DIVERSION CONTRARY TO U.S. LAW PROHIBITED.

 Fairview Microwave an INFINIT [®] brand	UNLESS OTHERWISE SPECIFIED LEADING DIMENSIONS ARE INCHES DIMENSIONS IN [] ARE MILLIMETERS		THIRD-ANGLE PROJECTION 		
	TOLERANCES:		CABLE LENGTH (L), TOLERANCES:		
.X = ± 2 [5.08] FRACTIONS ± 1/32 .XX = ± .02 [.51] ± 1/32 .XXX = ± .005 [.13] ANGLES ± 1°		L ≤ 12 [305] = +1 [25] / -0 12 [305] < L ≤ 60 [1524] = +2 [51] / -0 60 [1524] < L ≤ 120 [3048] = +4 [102] / -0 120 [3048] < L ≤ 300 [7620] = +6 [152] / -0 300 [7620] < L = +5%L / -0		THE INFORMATION AND DESIGN IN THIS DOCUMENT IS THE PROPERTY OF FAIRVIEW MICROWAVE CORPORATION. ALL RIGHTS RESERVED.	
TITLE RF Load 1 Watts to 40 GHz SMP Female Push-On VSWR 1.20		ALL DIMENSIONS SHOWN ARE FOR REFERENCE ONLY.		SHEET 1 OF 1 SCALE N/A	
SIZE A	CAGE CODE 3FKR5	DRAWN BY DFRISIELLO	ITEM NO. FMTR1115	REV A	

T-Rev.D