

**RF Load 1 Watts To 18 GHz Mini SMP Female**

RF termination (also called RF load or dummy load) FMTR1044 from Fairview operates from DC to 18 GHz and handles up to 1 Watt (CW). This Mini SMP termination (or load) is a 50 Ohm impedance and has a Female gender. Fairview 50 Ohm Mini SMP load termination offers 1.2:1 max VSWR. RF terminations / loads are critical passive components in many RF, microwave and millimeter wave systems where signal reflection from unused ports can reduce the signal integrity can potentially damage the device. By terminating an unused port with a matched load (dummy load), the incident energy will be absorbed with minimal reflection. These radio frequency termination components are commonly used to terminate devices such as couplers, circulators, and switches. Loads / terminations are also widely used in measurement systems to ensure accurate results. Fairview offers a large selection of in-stock RF, microwave and millimeter wave terminations up to 65 GHz with great performance over the entire operating range and with power handling capabilities up to 800 Watts (CW).



**Features:**

- 50 Ohm RF Load
- DC to 18 GHz Frequency Range
- VSWR 1.2: 1 Max
- Max Power 1 Watt (CW)
- Mini SMP Female Coaxial Interface

**Applications:**

- Wireless
- SatCom
- Radar Systems
- Test and Measurement
- Commercial and Military Communication

**Electrical Specifications**

Description	Min	Typ	Max	Units
Frequency Range	DC		18	GHz
Impedance		50		Ohms
VSWR			1.2:1	
Input Power (CW)			1	Watts
Input Power (Peak) 1 μsec PW, 1% DC			100	Watts

**Mechanical Specifications**

**Configuration**

Connector Mini SMP Female  
 Connector Specification MIL STD-348A

**Material Specifications**

Description	Material	Plating
Connector 1 Contact	Beryllium Copper	Gold
Insulation	PTFE	
Body	Stainless Steel	Gold

**Environmental Specifications**

**Temperature**

Operating Range -40 to +85 deg C  
 Storage Range -40 to +85 deg C

Fairview Microwave  
 1130 Junction Dr. #100  
 Allen, TX 75013  
 Tel: 1-800-715-4396 / (972) 649-6678  
 Fax: (972) 649-6689  
[www.fairviewmicrowave.com](http://www.fairviewmicrowave.com)  
[sales@fairviewmicrowave.com](mailto:sales@fairviewmicrowave.com)

**Compliance Certifications** (see [product page](#) for current document)

**Plotted and Other Data**

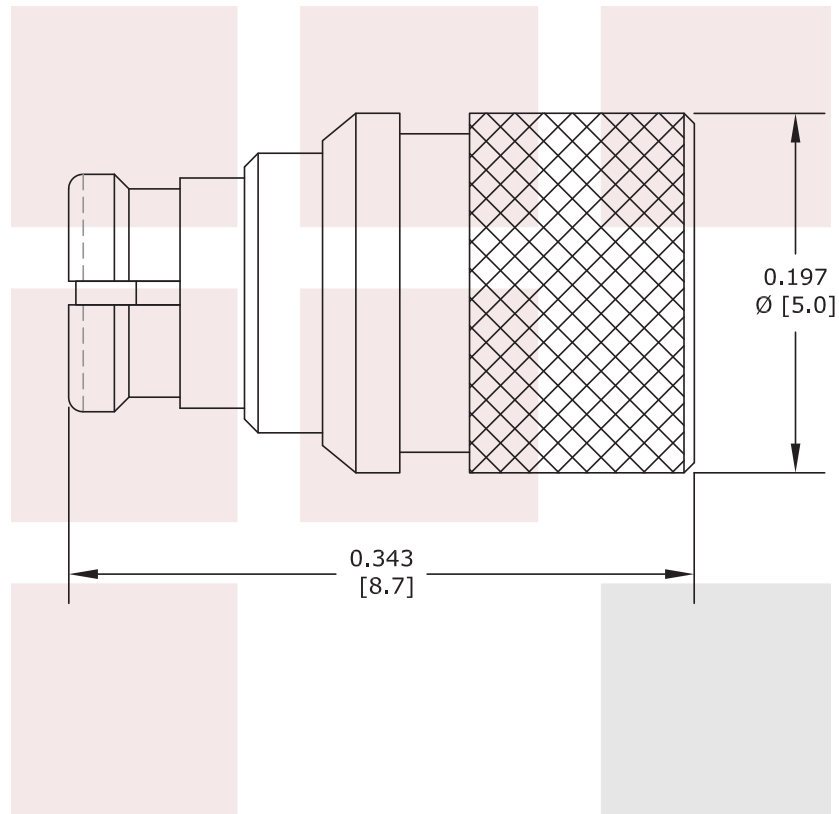
Notes:

RF Load 1 Watts To 18 GHz Mini SMP Female from Fairview Microwave is in-stock and available to ship same-day. All of our RF/microwave products are available off-the-shelf from our ISO 9001:2008 certified facilities in Allen, Texas. Fairview Microwave is RF on-demand.

For additional information on this product, please click the following link: [RF Load 1 Watts To 18 GHz Mini SMP Female FMTR1044](#)

URL: <https://www.fairviewmicrowave.com/rf-load-1-watts-18-ghz-mini-smp-female-fmtr1044-p.aspx>

The information contained in this document is accurate to the best of our knowledge and representative of the part described herein. It may be necessary to make modifications to the part and/or the documentation of the part, in order to implement improvements. Fairview Microwave reserves the right to make such changes as required. Unless otherwise stated, all specifications are nominal. Fairview Microwave does not make any representation or warranty regarding the suitability of the part described herein for any particular purpose, and Fairview Microwave does not assume any liability arising out of the use of any part or documentation.



STANDARD TOLERANCES	
.X	±0.2
.XX	±0.1
.XXX	±0.05

\*STANDARD TOLERANCES APPLY ONLY TO DIMENSIONS IN INCHES

<b>FAIRVIEW MICROWAVE INC.</b> ALLEN, TX 75013 WWW.FAIRVIEWMICROWAVE.COM		NOTES: 1. UNLESS OTHERWISE SPECIFIED ALL DIMENSIONS ARE NOMINAL. 2. ALL SPECIFICATIONS ARE SUBJECT TO CHANGE WITHOUT NOTICE AT ANY TIME. 3. DIMENSIONS ARE IN INCHES [mm].			
TITLE RF Load 1 Watts To 18 GHz Mini SMP Female		DWG NO FMTR1044		CAGE CODE 3FKR5	
CAD FILE	061417	SHEET	SCALE	N/A	SIZE A 2233