

**Coax Cable Stripper for RG59, RG6, RG7, RG11 with built-in 7/16 wrench**

**Configuration**

Tool Type	Coax Cable Stripper
Cable Type	RG59, RG6, RG7, RG11

**Mechanical Specifications**

**Size**

Length	8.5 in [215.9 mm]
Width	3.78 in [96 mm]
Height	1.02 in [25.91 mm]
Weight	0.058 lbs [26.31 g]

**Compliance Certifications** (see [product page](#) for current document)

**Notes:**

- Values at 25 °C, sea level

Coax Cable Stripper for RG59, RG6, RG7, RG11 with built-in 7/16 wrench from Fairview Microwave is in-stock and available to ship same-day. All of our RF/microwave products are available off-the-shelf from our ISO 9001:2008 certified facilities in Lewisville, Texas. Fairview Microwave is RF on-demand.

For additional information on this product, please click the following link: [Coax Cable Stripper for RG59, RG6, RG7, RG11 with built-in 7/16 wrench FMTL5216](#)

URL: <https://www.fairviewmicrowave.com/coax-cable-stripper-rg59-rg6-rg7-rg11-fmtl5216-p.aspx>

The information contained in this document is accurate to the best of our knowledge and representative of the part described herein. It may be necessary to make modifications to the part and/or the documentation of the part, in order to implement improvements. Fairview Microwave reserves the right to make such changes as required. Unless otherwise stated, all specifications are nominal. Fairview Microwave does not make any representation or warranty regarding the suitability of the part described herein for any particular purpose, and Fairview Microwave does not assume any liability arising out of the use of any part or documentation.



**Features:**

- Stripper for 1/4" (6mm) length
- Strips coaxial cables RG59, RG6, RG7, RG11 and 18 and 24 AWG
- Equipped with 7/16" wrench for working with F connectors
- Compact size fits in your pocket and easy storage

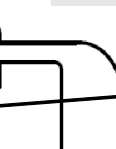
Fairview Microwave  
301 Leora Ln., Suite 100  
Lewisville, TX 75056  
Tel: 1-800-715-4396 / (972) 649-6678  
Fax: (972) 649-6689  
[www.fairviewmicrowave.com](http://www.fairviewmicrowave.com)  
[sales@fairviewmicrowave.com](mailto:sales@fairviewmicrowave.com)

ZONE	REV	DESCRIPTION	DATE	CHANGED BY	APPROVED
	A	INITIAL RELEASE	03/24/2023	HBAKKE	AGANWANI

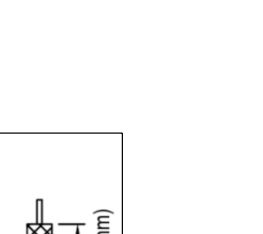
  

**FUNCTIONS:**

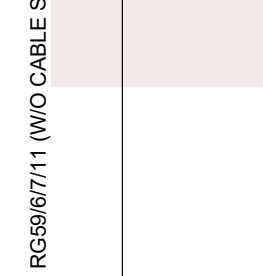
- STRIPS COAXIAL CABLES RG59/67/11 AND 18 & 24 AWG.
- USES BLACK VELCRO FOR FOLDING BACK THE BRAIDED SHIELD OF CABLE.
- DESIGNED WITH INTERCHANGEABLE CASSETTE & STRIPPING LENGTH 6.35mm (0.25").
- EQUIPPED WITH 7/16" WRENCH FOR USE WITH F CONNECTORS.

<b>CABLE TYPE:</b>	<b>STRIPPING LENGTH (D):</b>
RG59/67/11 (W/O CABLE STOP)	2-blade model 

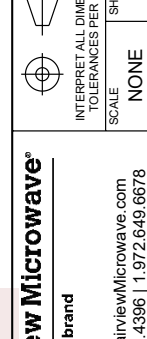


WRENCH  
11.20  
7/16




REVERSIBLE CASSETTE



BLACK VELCRO



BRAIDED SHIELD

UNLESS OTHERWISE SPECIFIED, LEADING DIMENSIONS ARE IN INCHES AND DIMENSIONS IN [ ] ARE IN MILLIMETERS.

**TOLERANCES:**

.X ± .2	[ .5 ]	FRACTIONS
.XX ± .02	[ .5 ]	± 1/32
.XXX ± .005	[ .13 ]	ANGLES ± 1°

**CABLE LENGTH TOLERANCES:**

512 (20.5)	± .125 / -0
>12 (30.5) ≤ 60 (1524)	± .2 (5.1) / -0
>60 (1524) ≤ 120 (3048)	± .4 (10.2) / -0
>120 (3048) ≤ 300 (7620)	± .6 (15.2) / -0
>300 (7620)	± .8 (20.3) / -0

ALL DIMENSIONS ARE FOR REFERENCE ONLY AND SUBJECT TO CHANGE WITHOUT NOTICE.