

**Type N M/F In/Out Bulkhead Coaxial RF Surge Protector, 125MHz - 1GHz, DC Block, 500W, 50kA, Blocking Cap and Gas Tube**

RF surge protector (also known as lightning arrester) FMSP1031 from Fairview Microwave utilizing a proprietary surge protection technology protects critical hardware from lightening events while maintaining the RF performance. This RF surge protector component is manufactured in a coaxial in-line design with wide operating frequency range. Optional weather proofing kit and copper cleaning kit are available for purchase separately. All Fairview Microwave RF surge protector products are available in stock with same day shipping.



**Electrical Specifications**

Surge Protector Type  
 DC Handling

Blocking Cap and Gas Tube  
 DC Block

Description	Min	Typ	Max	Units
Frequency Range	125		1,000	MHz
Impedance		50		Ohms
VSWR			1.1:1	
Return Loss			26	dB
Insertion Loss			0.1	dB
Input Power, CW			500	Watts
500W @ 125 to 220MHz				
250W @ 220 to 700MHz				
125W @ 700 to 1000MHz				
Surge Current			50	kA
IEC 61000-4-5 8/20µs WAVEFORM				
Turn On Voltage		1,200 ±20 %		Volts
Throughput Energy			800	µJ
@ 3kA 8/20µs waveform				

**Features:**

- Surge current of 50kA
- Max Power 500W
- Frequency range from 125 MHz to 1000 MHz
- N Male to N Female connectors
- VSWR 1.1:1
- Multi-strike capability
- CE & RoHS compliant

**Applications:**

- HF, UHF and VHF radios
- Ham radios
- Remote industrial monitoring

**Mechanical Specifications**

**Configuration**

Input Connector N Male  
 Output Connector N Female

**Environmental Specifications**

**Temperature**

Operating Range -50 to 50 deg C  
 Storage Range -55 to +85 deg C

**Compliance Certifications** (see [product page](#) for current document)

**Plotted and Other Data**

Notes:

Fairview Microwave  
 301 Leora Ln., Suite 100  
 Lewisville, TX 75056  
 Tel: 1-800-715-4396 / (972) 649-6678  
 Fax: (972) 649-6689  
[www.fairviewmicrowave.com](http://www.fairviewmicrowave.com)  
[sales@fairviewmicrowave.com](mailto:sales@fairviewmicrowave.com)

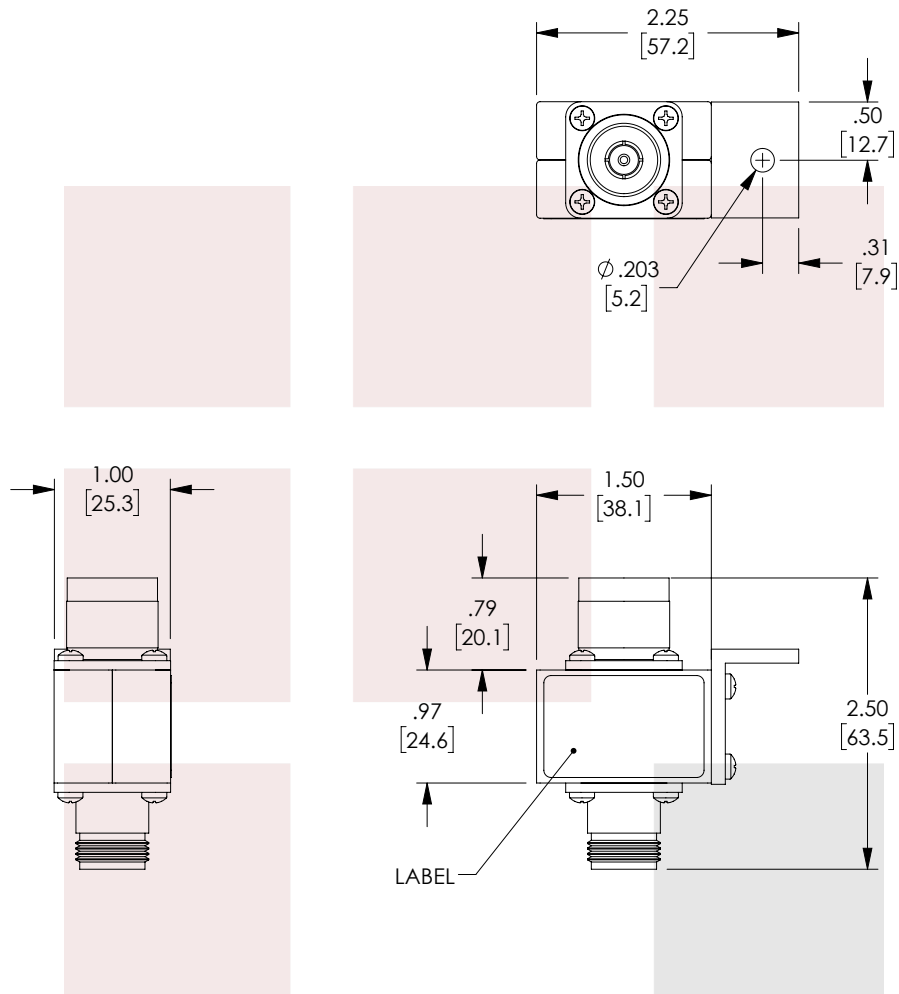
Type N M/F In/Out Bulkhead Coaxial RF Surge Protector, 125MHz - 1GHz, DC Block, 500W, 50kA, Blocking Cap and Gas Tube from Fairview Microwave is in-stock and available to ship same-day. All of our RF/microwave products are available off-the-shelf from our ISO 9001:2008 certified facilities in Allen, Texas. Fairview Microwave is RF on-demand.

For additional information on this product, please click the following link: [Type N M/F In/Out Bulkhead Coaxial RF Surge Protector, 125MHz - 1GHz, DC Block, 500W, 50kA, Blocking Cap and Gas Tube FMSP1031](#)

URL: <https://www.fairviewmicrowave.com/type-n-surge-protector-1ghz-blocking-cap-gas-tube-fmsp1031-p.aspx>

The information contained in this document is accurate to the best of our knowledge and representative of the part described herein. It may be necessary to make modifications to the part and/or the documentation of the part, in order to implement improvements. Fairview Microwave reserves the right to make such changes as required. Unless otherwise stated, all specifications are nominal. Fairview Microwave does not make any representation or warranty regarding the suitability of the part described herein for any particular purpose, and Fairview Microwave does not assume any liability arising out of the use of any part or documentation.





**STANDARD TOLERANCES**

.X ±0.2  
 .XX ±0.01  
 .XXX ±0.005

\*STANDARD TOLERANCES APPLY ONLY TO DIMENSIONS IN INCHES

**NOTES:**

HARDWARE INCLUDED.

**REGULATORY COMPLIANCE:**

CE2011/65/EU(RoHS DIRECTIVE)

		<p>NOTES:          1. UNLESS OTHERWISE SPECIFIED ALL DIMENSIONS ARE NOMINAL.          2. ALL SPECIFICATIONS ARE SUBJECT TO CHANGE WITHOUT NOTICE AT ANY TIME.          3. DIMENSIONS ARE IN INCHES [mm].</p>			
<p>TITLE          Type N M/F In/Out Bulkhead Coaxial RF Surge Protector, 125MHz - 1GHz, DC Block, 500W, 50kA, Blocking Cap and Gas Tube</p>		<p>DWG NO  <b>FMSP1031</b></p>		<p>CAGE CODE  <b>3FKR5</b></p>	
<p>CAD FILE          3/15/18</p>	<p>SHEET          1 OF 1</p>	<p>SCALE          N/A</p>	<p>SIZE          A</p>	<p>XXXX</p>	