

7/16 F/F In/Out Bulkhead Coaxial RF Surge Protector, 698MHz - 2.7GHz, DC Pass, 1000W, IP67, 20kA, Filter, Low PIM -155 dBc

RF surge protector (also known as lightning arrester) FMSP1004 from Fairview Microwave utilizing a patented spiral inductor design enables an almost instantaneous response to a lightning surge to protect critical hardware while maintaining the RF performance. This RF surge protector component is manufactured in a coaxial in-line design with wide operating frequency range. All Fairview Microwave RF surge protector products are available in stock with same day shipping.



Electrical Specifications

Description	Min	Typ	Max	Units	Surge Protector Type	Surge Filter Type
					DC Handling	DC Pass
Frequency Range	0.698		2.7	GHz		
Impedance		50		Ohms		
VSWR			1.2:1			
Return Loss			20	dB		
Insertion Loss			0.1	dB		
Passive Intermodulation			-155	dBc		
Input Power, CW @ 920 MHz			1	kWatts		
Surge Current IEC 61000-4-5 8/20µs WAVEFORM			20	kA		
Throughput Energy FOR 2kA IEC 61000-4-5 8/20µs WAVEFORM			25,000	mJ		

Mechanical Specifications

Configuration	
Input Connector	7/16 DIN Female
Output Connector	7/16 DIN Female

Environmental Specifications

Temperature	
Operating Range	-50 to 85 deg C
Ingress Protection (IP) Rating	IP 67

Compliance Certifications (see [product page](#) for current document)

Plotted and Other Data

Notes:

Features:

- Surge current of 20kA
- Max Power 1000W
- Frequency range from 698 MHz to 2.7 GHz
- Waterproof IP67 rated
- 7/16 DIN female connectors
- DC Pass
- Low PIM
- VSWR <1.2:1
- Low insertion loss
- CE & RoHS compliant

Applications:

- Cellular communication systems
- Public safety systems
- Emergency response systems
- Industrial

Fairview Microwave
301 Leora Ln., Suite 100
Lewisville, TX 75056
Tel: 1-800-715-4396 / (972) 649-6678
Fax: (972) 649-6689
www.fairviewmicrowave.com
sales@fairviewmicrowave.com

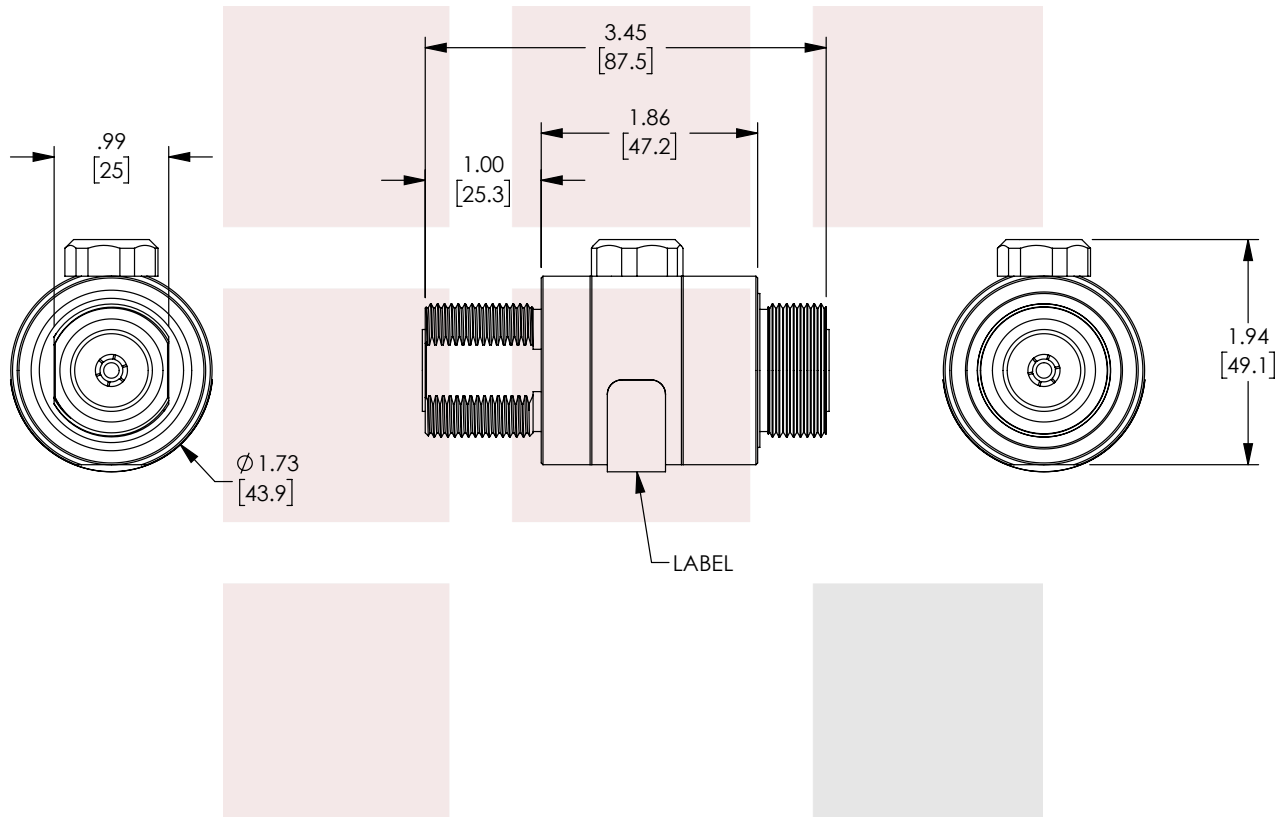
7/16 F/F In/Out Bulkhead Coaxial RF Surge Protector, 698MHz - 2.7GHz, DC Pass, 1000W, IP67, 20kA, Filter, Low PIM -155 dBc from Fairview Microwave is in-stock and available to ship same-day. All of our RF/microwave products are available off-the-shelf from our ISO 9001:2008 certified facilities in Allen, Texas. Fairview Microwave is RF on-demand.

For additional information on this product, please click the following link: [7/16 F/F In/Out Bulkhead Coaxial RF Surge Protector, 698MHz - 2.7GHz, DC Pass, 1000W, IP67, 20kA, Filter, Low PIM -155 dBc FMSP1004](#)

URL: <https://www.fairviewmicrowave.com/7-16-din-surge-protector-2.7ghz-filter-fmsp1004-p.aspx>

The information contained in this document is accurate to the best of our knowledge and representative of the part described herein. It may be necessary to make modifications to the part and/or the documentation of the part, in order to implement improvements. Fairview Microwave reserves the right to make such changes as required. Unless otherwise stated, all specifications are nominal. Fairview Microwave does not make any representation or warranty regarding the suitability of the part described herein for any particular purpose, and Fairview Microwave does not assume any liability arising out of the use of any part or documentation.





NOTES:

HARDWARE INCLUDED.

REGULATORY COMPLIANCE:

CE2011/65/EU(RoHS DIRECTIVE)

STANDARD TOLERANCES

.X ± 0.2
 .XX ± 0.01
 .XXX ± 0.005

*STANDARD TOLERANCES APPLY ONLY TO DIMENSIONS IN INCHES

		NOTES: 1. UNLESS OTHERWISE SPECIFIED ALL DIMENSIONS ARE NOMINAL. 2. ALL SPECIFICATIONS ARE SUBJECT TO CHANGE WITHOUT NOTICE AT ANY TIME. 3. DIMENSIONS ARE IN INCHES [mm].						
TITLE 7/16 F/F In/Out Bulkhead Coaxial RF Surge Protector, 698MHz - 2.7GHz, DC Pass, 1000W, IP67, 20kA, Filter, Low PIM -155 dBc		DWG NO FMSP1004			CAGE CODE 3FKR5			
CAD FILE	2/28/18	SHEET	1 OF 1	SCALE	N/A	SIZE	A	NADF