

## 2.4mm Male Short Calibration Kit Component for Precision Up to 50 GHz

2.4mm male short calibration kit component, part number FMSC3011, from Fairview Microwave is in-stock and ships same day. This 2.4mm precision short circuit can be used for calibration of most vector network analyzers (VNA), cable analyzers or site analyzers. Coefficients for this 2.4mm short calibrating component are provided in the datasheet. These can be entered into most VNAs to provide the necessary corrections, thereby allowing replacement of misplaced or damaged calibration components. Precision control of the impedance and electrical length allow for OSLT analyzer calibrations over the complete frequency range of the connector interface provided.

Fairview's 2.4mm short circuit calibration component FMSC3011 datasheet specifications and outline drawing are shown in this PDF below. Our extensive offering for RF, microwave and millimeter wave components allows designers to configure and customize their test solutions however they like. From calibration kit replacement to SOLT / OSLT VNA calibration, Fairview Microwave has the right calibration kit components to meet your needs and ship them same-day.



### Features:

- Controlled Impedance
- Published Calibration Coefficients
- Replaces Damaged Calibrating Kit Components
- Controlled Electrical Length
- Precision Interfaces
- In Stock and Ready to Ship

### Electrical Specifications

Description	Min	Typ	Max	Units
Frequency Range	DC		50	GHz
Impedance		50		Ohms
Phase Accuracy			±2	deg
Offset Loss		2.806		GOhm/s
Electrical Delay		16.929		ps
Inductance				
L0		0		10 <sup>-12</sup> H
L1		0		10 <sup>-24</sup> H/Hz
L2		0		10 <sup>-33</sup> H/Hz <sup>2</sup>
L3		0		10 <sup>-42</sup> H/Hz <sup>3</sup>

### Applications:

- SOLT or OSLT Calibration
- VNA Calibration
- Device Characterization
- De-embedding
- Replacement Calibration Kits

### Mechanical Specifications

Pin Depth	0 to 0.002 in
<b>Connector 1</b>	
Connector Type	2.4mm Male
Body Material and Plating	Beryllium Copper, Gold
<b>Connector 2</b>	

### Environmental Specifications

**Compliance Certifications** (see [product page](#) for current document)

### Plotted and Other Data

- Notes:
- Values at +25 °C, sea level

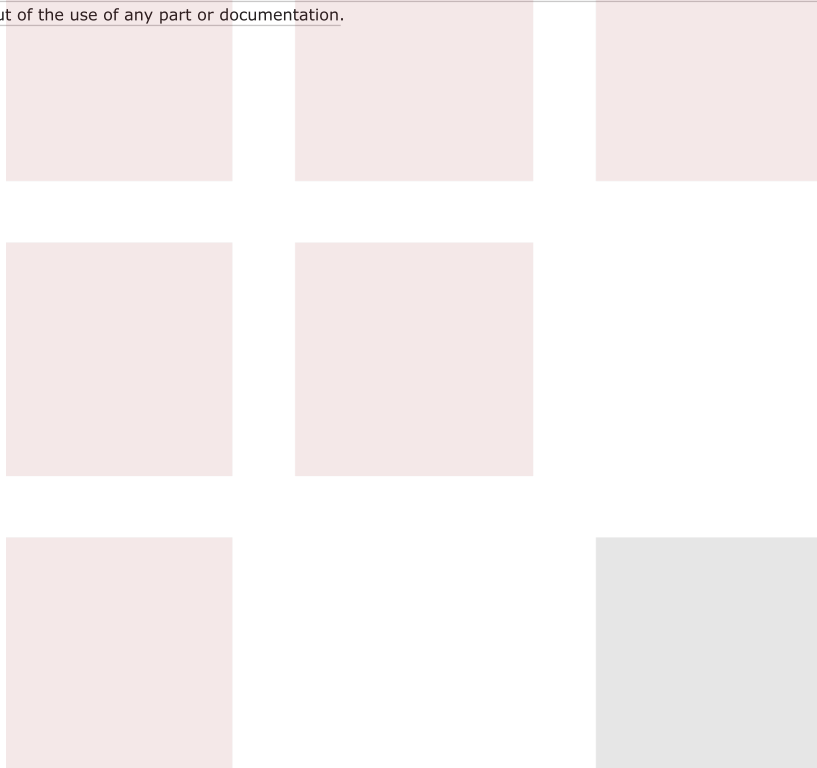
Fairview Microwave  
 301 Leora Ln., Suite 100  
 Lewisville, TX 75056  
 Tel: 1-800-715-4396 / (972) 649-6678  
 Fax: (972) 649-6689  
[www.fairviewmicrowave.com](http://www.fairviewmicrowave.com)  
[sales@fairviewmicrowave.com](mailto:sales@fairviewmicrowave.com)

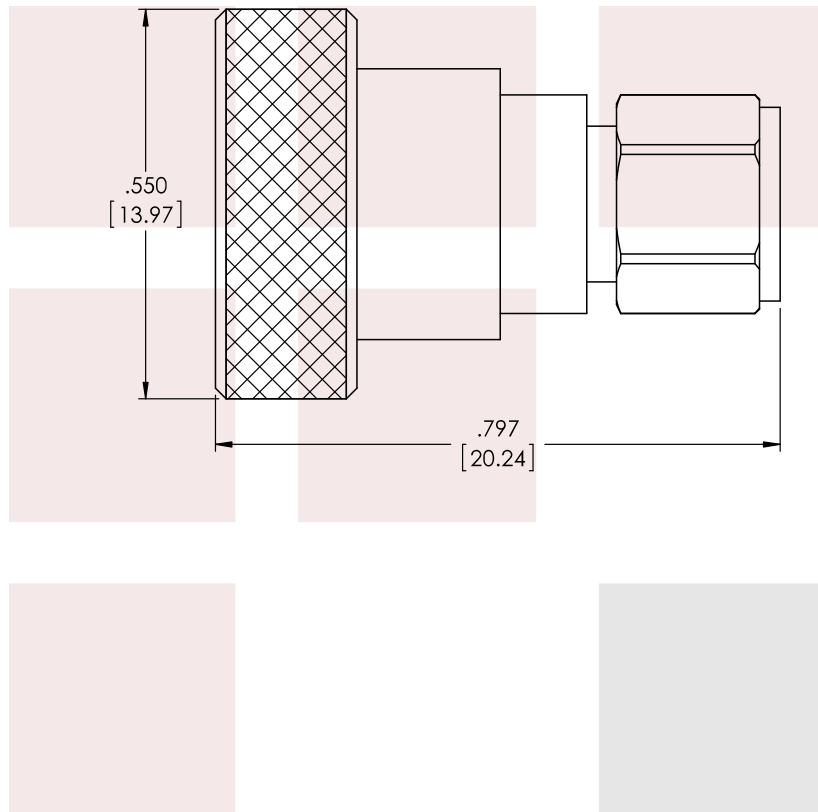
2.4mm Male Short Calibration Kit Component for Precision Up to 50 GHz from Fairview Microwave is in-stock and available to ship same-day. All of our RF/microwave products are available off-the-shelf from our ISO 9001:2008 certified facilities in Allen, Texas. Fairview Microwave is RF on-demand.

For additional information on this product, please click the following link: [2.4mm Male Short Calibration Kit Component for Precision Up to 50 GHz FMSC3011](#)

URL: <https://www.fairviewmicrowave.com/2.4mm-male-calibration-kit-component-short-50-ghz-fm3011-p.aspx>

The information contained in this document is accurate to the best of our knowledge and representative of the part described herein. It may be necessary to make modifications to the part and/or the documentation of the part, in order to implement improvements. Fairview Microwave reserves the right to make such changes as required. Unless otherwise stated, all specifications are nominal. Fairview Microwave does not make any representation or warranty regarding the suitability of the part described herein for any particular purpose, and Fairview Microwave does not assume any liability arising out of the use of any part or documentation.





**STANDARD TOLERANCES**

- .X ±0.2
- .XX ±0.01
- .XXX ±0.005

\*STANDARD TOLERANCES APPLY ONLY TO DIMENSIONS IN INCHES

**FAIRVIEW MICROWAVE INC.**

ALLEN, TX 75013 WWW.FAIRVIEWMICROWAVE.COM

**NOTES:**

1. UNLESS OTHERWISE SPECIFIED ALL DIMENSIONS ARE NOMINAL.
2. ALL SPECIFICATIONS ARE SUBJECT TO CHANGE WITHOUT NOTICE AT ANY TIME.
3. DIMENSIONS ARE IN INCHES [mm].

TITLE  
 2.4mm Male Short Calibration Kit Component for Precision Up to 50 GHz

DWG NO  
 FMSC3011

CAGE CODE  
 3FKR5

CAD FILE 02/06/18

SHEET

SCALE N/A

SIZE A

CN2245