

Non-Penetrating Peak Roof Mount 60-inch Mast and 34-inch Extra Pole, 2-pole Version, Galvanized Steel with Powder Coating

FMPRM2



Features

- Easy assembly instructions
- Contains peak roof mount and secondary arm
- 5 ft tall center mast
- Secondary arm of 2.75 ft
- Powder coated galvanized steel
- Operating windspeeds up to 50 KM/h (31 mph)
- Survival windspeeds up to 100 KM/h (62 mph)
- All assembly hardware included
- Optional rubber mat for max surface tension/protection
- Standard 16" x 8" cinder blocks (Not included)
- 150-degree max angle for roof pitch

Applications

- De-centralized wireless networks (FreedomFi, Helium, POLLEN, XNET, MetaBlox, etc.)
- Wireless or satellite antenna
- Scientific and weather instrumentations
- Security camera and instruments
- Solar panel

Description

Fairview Microwave's FMPRM2 non-penetrating antenna peak roof mount is available for different types of roof installations, and it is easy to transport. The 2-pole version communication antenna mount has peak roof top mount with 60 inch center mast(FMPRM1) and 34-inch extra arm(FMPRMARM). This NPM mount is used for peak roofs and is available with easy assembly instructions.

The FMPRM2 non-penetrating mount has operating windspeeds up to 50 Km/h or 31 MPH and survival windspeeds up to 100 Km/h or 62 MPH. This non-penetrating mount has a strong and rugged design made up of galvanized steel. The roof mount has a powder coating to withstand harsh climates and corrosion.

This FMPRM2 non-penetrating antenna peak roof mount is suitable for telecom installers, DIY installers, satellite dish installers, wireless internet providers, crypto enterprises, and commercial building owners. Ballast material (i.e., cinder blocks, concrete blocks, etc.) are used in these non-drill roof mounts to anchor them to the roof.

Fairview Microwave has one of the largest in-stock selection of non-penetrating antenna peak roof mount for international and domestic orders. Make your online purchase right now to take advantage of our same-day shipping. For further information on similar products, our expert technical support and knowledgeable sales team can help you get the perfect 2nd pole version non-penetrating mount for your requirements.

Note: Ballast data should be determined by a local professional engineer. Adequate ballast material must be determined and provided by others

Non-Penetrating Peak Roof Mount 60-inch Mast and 34-inch Extra Pole, 2-pole Version, Galvanized Steel with Powder Coating



FMPRM2

Configuration

Note:

- **Ballast data should be determined by a local professional engineer. Adequate ballast material must be determined and provided by others**
- Prior to installation, verify that the installation, roof material and supporting structures have been investigated and found capable to withstand load
- Place ballast material (i.e., cinder blocks, concrete blocks, etc.) evenly on both side with at least 4 on each side, total 8 blocks per mount approx. 300lbs over all base angles (Estimated Operational Ballast)
- All antenna installations MUST be grounded
- **Fairview Microwave RECOMMENDS THAT BALLAST MATERIAL ALWAYS BE PLACED PRIOR TO MOUNTING ANTENNAS AND THAT THE MOUNT BE SECURED TO PREVENT HAZARDS FROM OCCURRING UNDER EXTREME WIND LOADING CONDITION**
- Inspect all bolts and screws for optimal tightness (recommended torque 13-14 lbs-ft.) to ensure there is no loose gaps after installation
- Recommended to use self-tapping screws provided with mount to reduce the loading of the roof if working environment is allowed to drill
- Inspect the mount, antennas, and tightness of nuts at six-month maximum intervals

Operational	50 Km/h (31 mph)	Under recommended Load
Survival	100 Km/h (62 mph)	Under recommended Load

CONTACT A LOCAL PROFESSIONAL ENGINEER TO DETERMINE PROPER LOADING vs BALLAST WEIGHTS

Operational: It is workable under 50km/h wind speeds.

Survival: The products may be deformed but will not fly away.

Mechanical Specifications

Size

Length	59.84 in [151.99 cm]
Width	5.9 in [149.86 mm]
Height	7.28 in [184.91 mm]
Weight	57.3 lbs [25.99 kg]

Environmental Specifications

Temperature

Operating Range	-40 to +80 deg C
Wind Velocity	31 MPH [49.89KPH]
Plating	Powder Coat
Material	Galvanized Steel
Package Quantity	1

Non-Penetrating Peak Roof Mount 60-inch Mast and 34-inch Extra Pole, 2-pole Version, Galvanized Steel with Powder Coating

FMPRM2



Typical Radiation Pattern

Non-Penetrating Peak Roof Mount 60-inch Mast and 34-inch Extra Pole, 2-pole Version, Galvanized Steel with Powder Coating from Fairview Microwave is in-stock and available to ship same-day. All of our RF/microwave products are available off-the-shelf from our ISO 9001:2008 certified facilities in Lewisville, Texas. Fairview Microwave is RF on-demand.

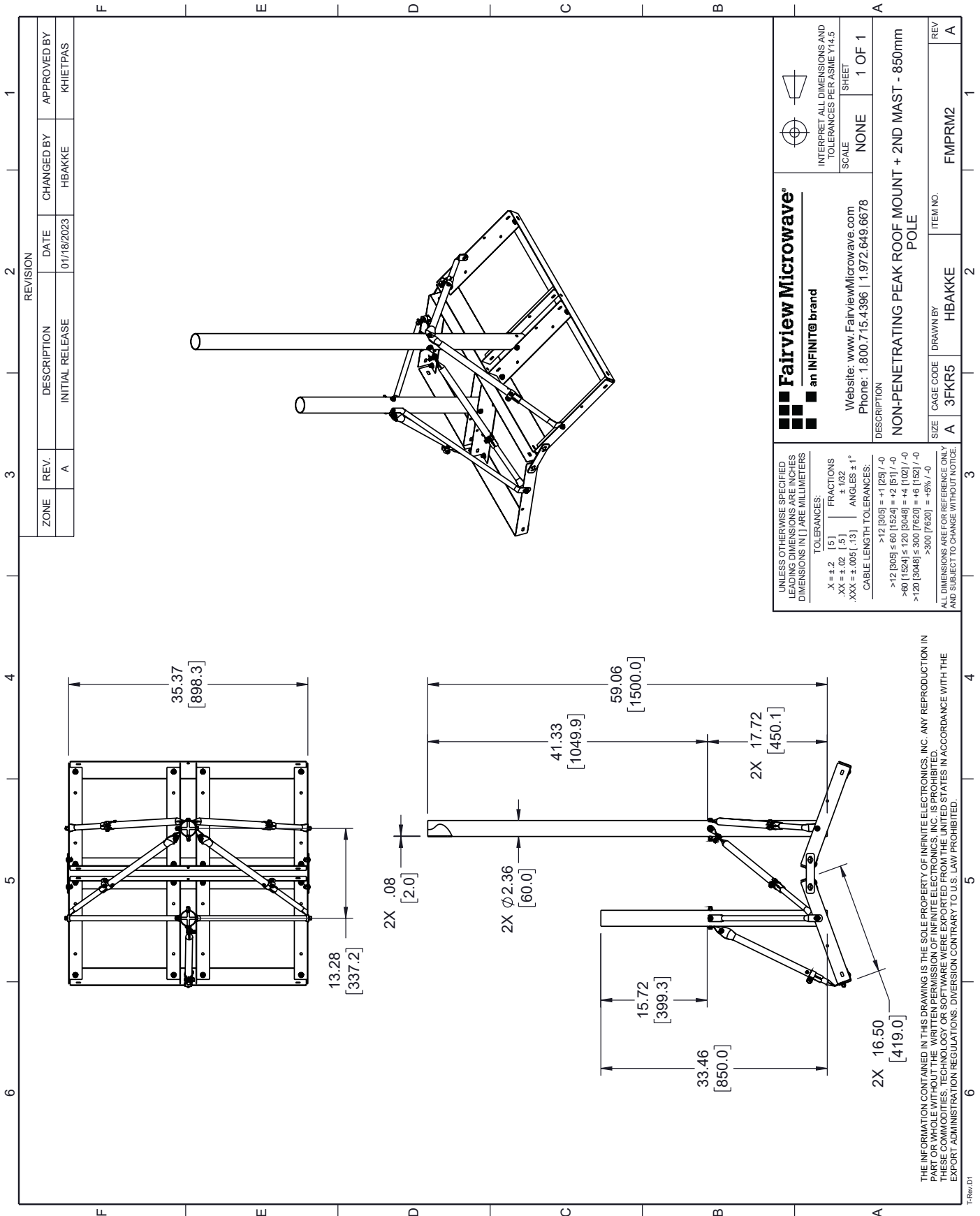
For additional information on this product, please click the following link: [Non-Penetrating Peak Roof Mount 60-inch Mast and 34-inch Extra Pole, 2-pole Version, Galvanized Steel with Powder Coating](https://www.fairviewmicrowave.com/non-penetrating-peak-roof-mount-60-inch-mast-and-34-inch-extra-pole-2-pole-version-galvanized-steel-with-powder-coating-fmprm2-p.aspx)

URL: <https://www.fairviewmicrowave.com/non-penetrating-peak-roof-mount-60-inch-mast-and-34-inch-extra-pole-2-pole-version-galvanized-steel-with-powder-coating-fmprm2-p.aspx>

The information contained within this document is accurate to the best of our knowledge and representative of the part described herein. It may be necessary to make modifications to the part and/or the documentation of the part in order to implement improvements. Fairview Microwave reserves the right to make such changes as required. Unless otherwise stated, all specifications are nominal. Fairview Microwave does not make any representation or warranty regarding the suitability of the part described herein for any particular purpose, and Fairview Microwave does not assume liability arising out of the use of any part or document.

CAD Drawing

Non-Penetrating Peak Roof Mount 60-inch Mast and 34-inch Extra Pole,
2-pole Version, Galvanized Steel with Powder Coating



ZONE	REV	DESCRIPTION	DATE	CHANGED BY	APPROVED BY
	A	INITIAL RELEASE	01/18/2023	HBAKKE	KHIETPAS

Fairview Microwave®
an INFINIT® brand

Website: www.FairviewMicrowave.com
Phone: 1.800.715.4396 | 1.972.649.6678

INTERPRET ALL DIMENSIONS AND TOLERANCES PER ASME Y14.5
SCALE: NONE SHEET: 1 OF 1

UNLESS OTHERWISE SPECIFIED, ALL DIMENSIONS ARE IN INCHES. DIMENSIONS IN [] ARE MILLIMETERS.

TOLERANCES:
X = ±.2 (5) FRACTIONS ±.132
.XX = ±.02 (.5) ±.132
-XXX = ±.005 (.13) ANGLES ±1°

CABLE LENGTH TOLERANCES:
>12 [305] = +1 [25] / -0
>60 [1524] ≤ 60 [1524] = +2 [51] / -0
>120 [3048] ≤ 120 [3048] = +4 [102] / -0
>300 [7620] ≤ 300 [7620] = +8 [203] / -0

ALL DIMENSIONS ARE FOR REFERENCE ONLY AND SUBJECT TO CHANGE WITHOUT NOTICE

DESCRIPTION: NON-PENETRATING PEAK ROOF MOUNT + 2ND MAST - 850mm POLE

SIZE	CAGE CODE	DRAWN BY	ITEM NO.
A	3FKR5	HBAKKE	FMPRM2

THE INFORMATION CONTAINED IN THIS DRAWING IS THE SOLE PROPERTY OF INFINITE ELECTRONICS, INC.. ANY REPRODUCTION IN PART OR WHOLE WITHOUT THE WRITTEN PERMISSION OF INFINITE ELECTRONICS, INC. IS PROHIBITED. THESE COMMODITIES, TECHNOLOGY OR SOFTWARE WERE EXPORTED FROM THE UNITED STATES IN ACCORDANCE WITH THE EXPORT ADMINISTRATION REGULATIONS. DIVERSION CONTRARY TO U.S. LAW PROHIBITED.

TRev_01