

Non-Penetrating Peak Roof Mount 60-inch Mast, 34-inch Extra Pole and 2 Rubber Mats, 2-pole Version, Galvanized Steel with Powder Coating

FMPRM2-KIT



Features

- Easy assembly instructions
- Contains peak roof mount, secondary arm and 2 mats
- 5 ft tall center mast
- Secondary arm of 2.75 ft
- Powder coated galvanized steel
- Operating windspeeds up to 50 KM/h (31 mph)
- Survival windspeeds up to 100 KM/h (62 mph)
- All assembly hardware included
- Included rubber mat for max surface tension/protection
- Standard 16" x 8" cinder blocks (Not included)
- 150-degree max angle for roof pitch

Applications

- De-centralized wireless networks (FreedomFi, Helium, POLLEN, XNET, MetaBlox, etc.)
- Scientific and weather instrumentations
- Wireless or satellite antenna
- Security camera and instruments
- Solar panel

Description

Fairview Microwave's FMPRM2-KIT is a non-penetrating antenna peak roof mount kit has 2-pole version non-penetrating peak roof mount (FMPRM2) which includes the 60-inch(FMPRM1) and 34-inch poles(FMPRMARM) and 2 rubber mats (FMNPMMAT) that helps in easy installation of satellite dishes and antennas. This kit is used for easy installation of the peak roof mount which is available without pre-assembly.

This kit comes with a rubber mat that provides the best surface tension and surface protection. The non-penetrating antenna peak roof mount included in this kit is portable and suitable for a range of roof applications. Ballast material (i.e., cinder blocks, concrete blocks, etc.) are used in these non-drill roof mounts to anchor them to the roof.

Fairview Microwave non-penetrating antenna peak roof mount kit is available in stock and ready to ship the same day. Different kits are available with easy buy options for 2-pole version non-penetrating antenna peak roof mount kit with detailed step-by-step installation documents. For further information on similar products, our expert technical support and knowledgeable sales team can help you get the perfect non-penetrating antenna peak roof mount kit as per your requirements.

Note: Ballast data should be determined by a local professional engineer. Adequate ballast material must be determined and provided by others

Non-Penetrating Peak Roof Mount 60-inch Mast,
34-inch Extra Pole and 2 Rubber Mats, 2-pole
Version, Galvanized Steel with Powder Coating



FMPRM2-KIT

Configuration

Note:

- **Ballast data should be determined by a local professional engineer. Adequate ballast material must be determined and provided by others**
- Prior to installation, verify that the installation, roof material and supporting structures have been investigated and found capable to withstand load
- Place ballast material (i.e., cinder blocks, concrete blocks, etc.) evenly on both side with at least 4 on each side, total 8 blocks per mount approx. 300lbs over all base angles (Estimated Operational Ballast)
- All antenna installations MUST be grounded
- **Fairview Microwave RECOMMENDS THAT BALLAST MATERIAL ALWAYS BE PLACED PRIOR TO MOUNTING ANTENNAS AND THAT THE MOUNT BE SECURED TO PREVENT HAZARDS FROM OCCURRING UNDER EXTREME WIND LOADING CONDITION**
- Inspect all bolts and screws for optimal tightness (recommended torque 13-14 lbs-ft.) to ensure there is no loose gaps after installation
- Recommended to use self-tapping screws provided with mount to reduce the loading of the roof if working environment is allowed to drill
- Inspect the mount, antennas, and tightness of nuts at six-month maximum intervals

Operational	50 Km/h (31 mph)	Under recommended Load
Survival	100 Km/h (62 mph)	Under recommended Load

CONTACT A LOCAL PROFESSIONAL ENGINEER TO DETERMINE PROPER LOADING vs BALLAST WEIGHTS

Operational: It is workable under 50km/h wind speeds.

Survival: The products may be deformed but will not fly away.

Mechanical Specifications

Size

Length	59.84 in [151.99 cm]
Width	11.8 in [299.72 mm]
Height	11.8 in [299.72 mm]
Weight	79.34 lbs [35.99 kg]

Environmental Specifications

Temperature

Operating Range	-40 to +80 deg C
Wind Velocity	31 MPH [49.89KPH]
Plating	Powder Coat
Material	Galvanized Steel
Package Quantity	1

Non-Penetrating Peak Roof Mount 60-inch Mast,
34-inch Extra Pole and 2 Rubber Mats, 2-pole
Version, Galvanized Steel with Powder Coating

FMPRM2-KIT



Typical Radiation Pattern

Non-Penetrating Peak Roof Mount 60-inch Mast, 34-inch Extra Pole and 2 Rubber Mats, 2-pole Version, Galvanized Steel with Powder Coating from Fairview Microwave is in-stock and available to ship same-day. All of our RF/microwave products are available off-the-shelf from our ISO 9001:2008 certified facilities in Lewisville, Texas. Fairview Microwave is RF on-demand.

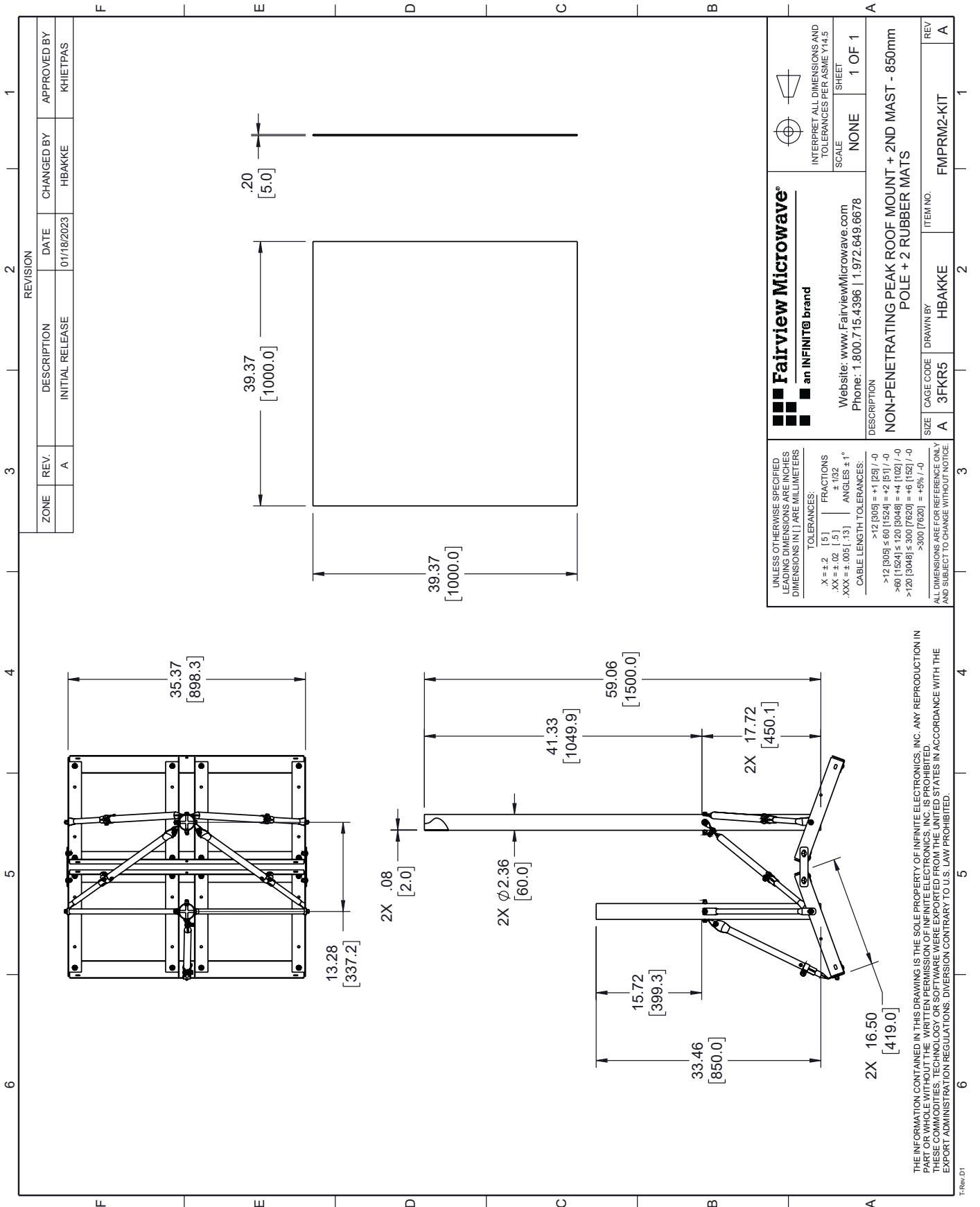
For additional information on this product, please click the following link: [Non-Penetrating Peak Roof Mount 60-inch Mast, 34-inch Extra Pole and 2 Rubber Mats, 2-pole Version, Galvanized Steel with Powder Coating](https://www.fairviewmicrowave.com/non-penetrating-peak-roof-mount-60-inch-mast-34-inch-extra-pole-and-2-rubber-mats-2-pole-version-galvanized-steel-with-powder-coating-fmprm2-kit-p.aspx)

URL: <https://www.fairviewmicrowave.com/non-penetrating-peak-roof-mount-60-inch-mast-34-inch-extra-pole-and-2-rubber-mats-2-pole-version-galvanized-steel-with-powder-coating-fmprm2-kit-p.aspx>

The information contained within this document is accurate to the best of our knowledge and representative of the part described herein. It may be necessary to make modifications to the part and/or the documentation of the part in order to implement improvements. Fairview Microwave reserves the right to make such changes as required. Unless otherwise stated, all specifications are nominal. Fairview Microwave does not make any representation or warranty regarding the suitability of the part described herein for any particular purpose, and Fairview Microwave does not assume liability arising out of the use of any part or document.

CAD Drawing

Non-Penetrating Peak Roof Mount 60-inch Mast, 34-inch Extra Pole and 2 Rubber Mats, 2-pole Version, Galvanized Steel with Powder Coating



THE INFORMATION CONTAINED IN THIS DRAWING IS THE SOLE PROPERTY OF INFINITE ELECTRONICS, INC. ANY REPRODUCTION IN PART OR WHOLE WITHOUT THE WRITTEN PERMISSION OF INFINITE ELECTRONICS, INC. IS PROHIBITED. THESE COMMODITIES, TECHNOLOGY OR SOFTWARE WERE EXPORTED FROM THE UNITED STATES IN ACCORDANCE WITH THE EXPORT ADMINISTRATION REGULATIONS. DIVERSION CONTRARY TO U.S. LAW PROHIBITED.

TRev.01