

High Power Limiter, SMA, 100W Peak Power, 20 ns Recovery, 19 dBm Flat Leakage, 500 MHz to 2 GHz
Electrical Specifications

Internal DC Return

Description	Min	Typ	Max	Unit
Frequency Range	0.5		2	GHz
Insertion Loss		0.5		dB
Input VSWR		1.4:1		
Output VSWR		1.4:1		
Leakage (CW)			+19	dBm
Recovery Time*		20		ns
Input Power (CW)			1	Watt
Input Power (Peak) @1us pulse, 0.1% Duty Cycle Derated to 20% @ +125°C			100	Watt
Limiting Threshold		+12		dBm

Electrical Specification Notes:

Values at 25°C, sea level. Specification @ +25°C and -10 dBm input power.

Mechanical Specifications
Size

Length	1.21 in [30.73 mm]
Width	0.31 in [7.87 mm]
Height	0.31 in [7.87 mm]
Weight	0.03 lbs [13.61 g]
Body Material and Plating	Passivated Stainless Steel

Configuration

Style	PIN-PIN High Power Limiter
Package Style	Connectorized Module
Impedance	50 Ohms
Connector 1	SMA Male
Connector 2	SMA Female

Environmental Specifications
Temperature

Operating Range	-55 to +90 deg C
Storage Range	-65 to +125 deg C

Shock	50 G's, 11 msec
Vibration	20G, 100 to 2000Hz

Compliance Certifications (see [product page](#) for current document)

Plotted and Other Data

Notes:

- Values at 25°C, sea level.



Fairview Microwave
 301 Leora Ln., Suite 100
 Lewisville, TX 75056
 Tel: 1-800-715-4396 / (972) 649-6678
 Fax: (972) 649-6689
www.fairviewmicrowave.com
sales@fairviewmicrowave.com

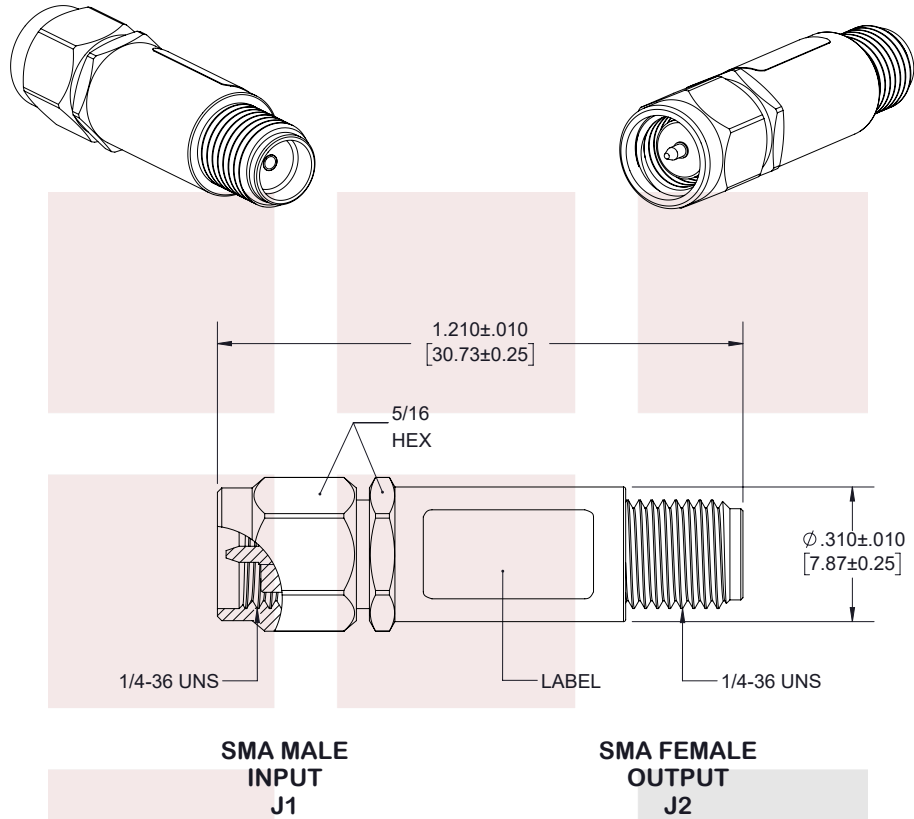
High Power Limiter, SMA, 100W Peak Power, 20 ns Recovery, 19 dBm Flat Leakage, 500 MHz to 2 GHz from Fairview Microwave is in-stock and available to ship same-day. All of our RF/microwave products are available off-the-shelf from our ISO 9001:2008 certified facilities in Lewisville, Texas. Fairview Microwave is RF on-demand.

For additional information on this product, please click the following link: [High Power Limiter, SMA, 100W Peak Power, 20 ns Recovery, 19 dBm Flat Leakage, 500 MHz to 2 GHz FMMT1018](#)

URL: <https://www.fairviewmicrowave.com/high-power-limiter-sma-100w-peak-power-20-ns-recovery-19-dbm-flat-leakage-500-mhz-to-2-ghz-fmmt1018-p.aspx>

The information contained in this document is accurate to the best of our knowledge and representative of the part described herein. It may be necessary to make modifications to the part and/or the documentation of the part, in order to implement improvements. Fairview Microwave reserves the right to make such changes as required. Unless otherwise stated, all specifications are nominal. Fairview Microwave does not make any representation or warranty regarding the suitability of the part described herein for any particular purpose, and Fairview Microwave does not assume any liability arising out of the use of any part or documentation.





LABEL



STANDARD TOLERANCES

- .X ±0.2
- .XX ±0.01
- .XXX ±0.005

*STANDARD TOLERANCES APPLY ONLY TO DIMENSIONS IN INCHES



NOTES:
 1. UNLESS OTHERWISE SPECIFIED ALL DIMENSIONS ARE NOMINAL.
 2. ALL SPECIFICATIONS ARE SUBJECT TO CHANGE WITHOUT NOTICE AT ANY TIME.
 3. DIMENSIONS ARE IN INCHES [mm].

TITLE High Power Limiter, SMA, 100W Peak Power, 20 ns Recovery, 19 dBm Flat Leakage, 500 MHz to 2 GHz	DWG NO FMMT1018		CAGE CODE 3FKR5			
	CAD FILE 04/17/18	SHEET 1 OF 1	SCALE N/A	SIZE A	7361	