

**Detector with SMA Female to SMA Female and Video Out Operating from 100 MHz to 18 GHz**

The FMMT1005 is a Finline Detector Designed to Operate from 0.1 GHz to 18 GHz. This Detector performs measurements more quickly and have a greater dynamic range than that obtainable from comparable power sensors. The Rugged Ultra Compact Package Design utilizes SMA Female connectors



**Electrical Specifications**

Description	Min	Typ	Max	Unit
Frequency Range	100 MHz		18 GHz	
VSWR			1.7:1	
Voltage Sensitivity		800		mV/mW

**Mechanical Specifications**

**Temperature**

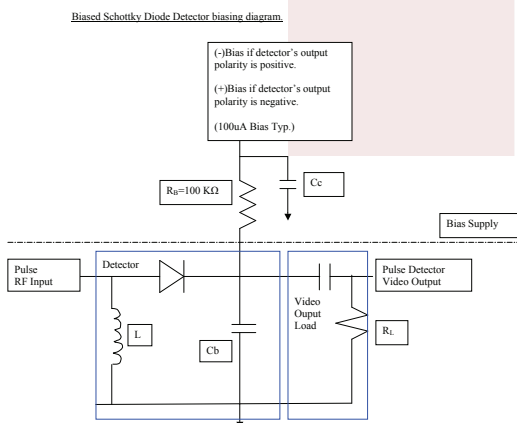
Operating Range 0 to +50 deg C  
 Storage Range -45 to +100 deg C

**Compliance Certifications** (see [product page](#) for current document)

**Plotted and Other Data**

Notes:  
 • Values at +25 °C, sea level

**Functional Block Diagram**



**Features:**

- High Speed Finline Detector
- 100 MHz to 18 GHz Frequency Range
- Voltage Sensitivity 800 mV/mW
- SMA Female Connectors

**Applications:**

- Electronic Warfare
- Test & Measurement
- System Monitoring
- AM Noise Measurements
- Military & Space
- Radar
- Pulsed RF Measurements in Ultra Broadband Applications
- Leveling Pulse Signal Sources
- Military Communications Systems

Fairview Microwave  
 301 Leora Ln., Suite 100  
 Lewisville, TX 75056  
 Tel: 1-800-715-4396 / (972) 649-6678  
 Fax: (972) 649-6689  
[www.fairviewmicrowave.com](http://www.fairviewmicrowave.com)  
[sales@fairviewmicrowave.com](mailto:sales@fairviewmicrowave.com)

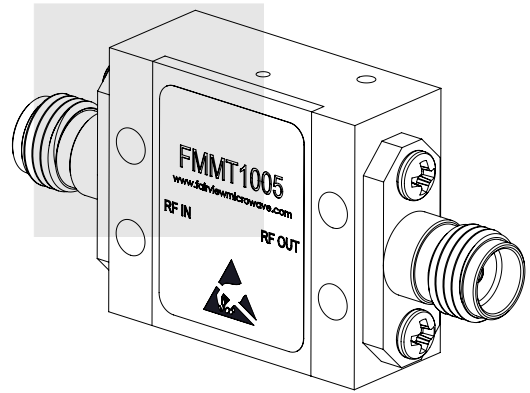
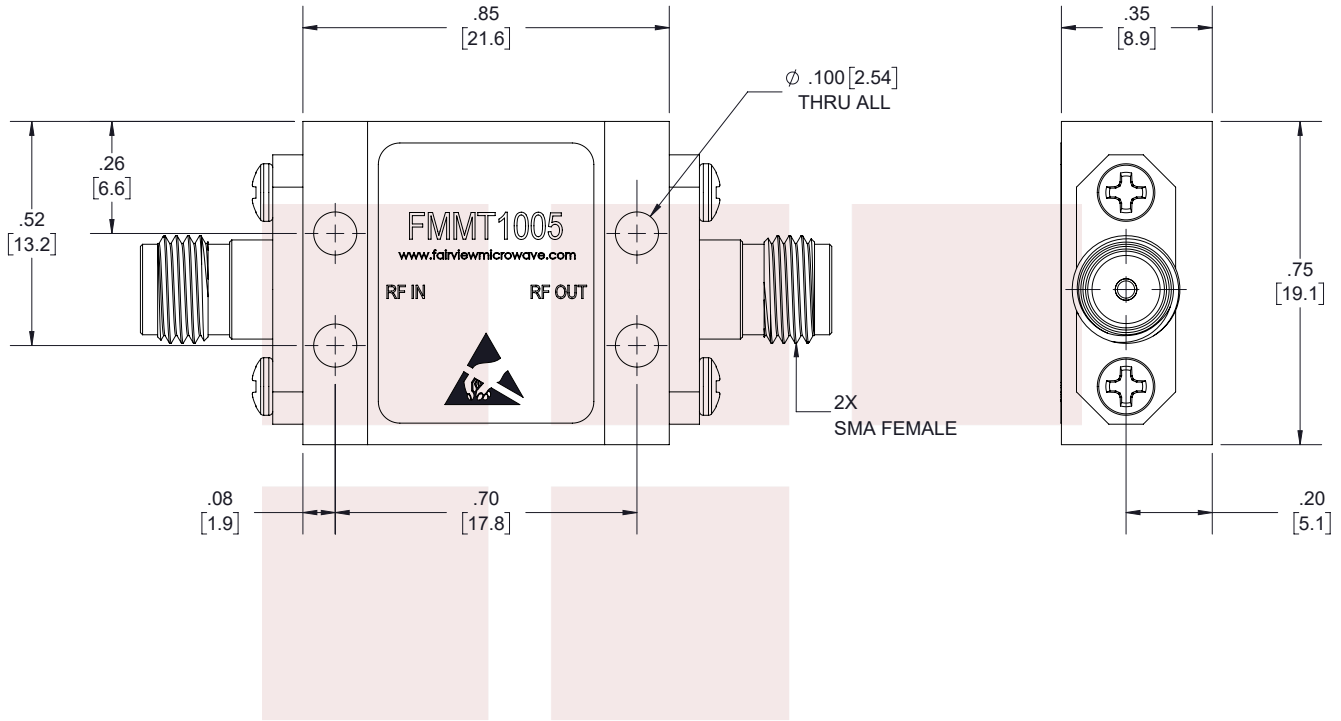
Detector with SMA Female to SMA Female and Video Out Operating from 100 MHz to 18 GHz from Fairview Microwave is in-stock and available to ship same-day. All of our RF/microwave products are available off-the-shelf from our ISO 9001:2008 certified facilities in Allen, Texas. Fairview Microwave is RF on-demand.

For additional information on this product, please click the following link: [Detector with SMA Female to SMA Female and Video Out Operating from 100 MHz to 18 GHz FMMT1005](#)

URL: <https://www.fairviewmicrowave.com/detector-sma-female-100-mhz-18-ghz-fmmt1005-p.aspx>

The information contained in this document is accurate to the best of our knowledge and representative of the part described herein. It may be necessary to make modifications to the part and/or the documentation of the part, in order to implement improvements. Fairview Microwave reserves the right to make such changes as required. Unless otherwise stated, all specifications are nominal. Fairview Microwave does not make any representation or warranty regarding the suitability of the part described herein for any particular purpose, and Fairview Microwave does not assume any liability arising out of the use of any part or documentation.





STANDARD TOLERANCES	
.X	±0.2
.XX	±0.01
.XXX	±0.005

\*STANDARD TOLERANCES APPLY ONLY TO DIMENSIONS IN INCHES

<b>FAIRVIEW MICROWAVE INC.</b> ALLEN, TX 75013 WWW.FAIRVIEWMICROWAVE.COM		NOTES: 1. UNLESS OTHERWISE SPECIFIED ALL DIMENSIONS ARE NOMINAL. 2. ALL SPECIFICATIONS ARE SUBJECT TO CHANGE WITHOUT NOTICE AT ANY TIME. 3. DIMENSIONS ARE IN INCHES [mm].			
TITLE Detector with SMA Female to SMA Female and Video Out Operating from 100 MHz to 18 GHz		DWG NO FMMT1005		CAGE CODE 3FKR5	
CAD FILE	030118	SHEET	1 OF 1	SCALE	N/A
		SIZE	A		7361