

High Power Limiter, SMA, 100W Peak Power, 20 ns Recovery, 16 dBm Flat Leakage, 6 GHz to 18 GHz
Electrical Specifications

Internal DC Return

| Description | Min | Typ | Max | Unit |
|--|-----|-----|-----|------|
| Frequency Range | 6 | | 18 | GHz |
| Insertion Loss | | 2.2 | | dB |
| Input VSWR | | | 2:1 | |
| Output VSWR | | | 2:1 | |
| Leakage (CW) | | | +16 | dBm |
| Recovery Time* | | 20 | | ns |
| Input Power (CW) | | | 1 | Watt |
| Input Power (Peak) @1us pulse, 0.1% Duty Cycle Derated to 20% @ +125°C | | | 100 | Watt |
| Limiting Threshold | | +12 | | dBm |

Electrical Specification Notes:
Values at 25°C, sea level. Specification @ +25°C and -10 dBm input power.

Mechanical Specifications
Size

| | |
|---------------------------|----------------------------|
| Length | 1.21 in [30.73 mm] |
| Width | 0.31 in [7.87 mm] |
| Height | 0.31 in [7.87 mm] |
| Weight | 0.03 lbs [13.61 g] |
| Body Material and Plating | Passivated Stainless Steel |

Configuration

| | |
|---------------|----------------------------|
| Style | PIN-PIN High Power Limiter |
| Package Style | Connectorized Module |
| Impedance | 50 Ohms |
| Connector 1 | SMA Male |
| Connector 2 | SMA Female |

Environmental Specifications
Temperature

| | |
|-----------------|-------------------|
| Operating Range | -55 to +90 deg C |
| Storage Range | -65 to +125 deg C |

| | |
|-----------|--------------------|
| Shock | 50 G's, 11 msec |
| Vibration | 20G, 100 to 2000Hz |

Compliance Certifications (see [product page](#) for current document)

Plotted and Other Data

Notes:

- Values at 25°C, sea level.



Fairview Microwave
301 Leora Ln., Suite 100
Lewisville, TX 75056
Tel: 1-800-715-4396 / (972) 649-6678
Fax: (972) 649-6689
www.fairviewmicrowave.com
sales@fairviewmicrowave.com

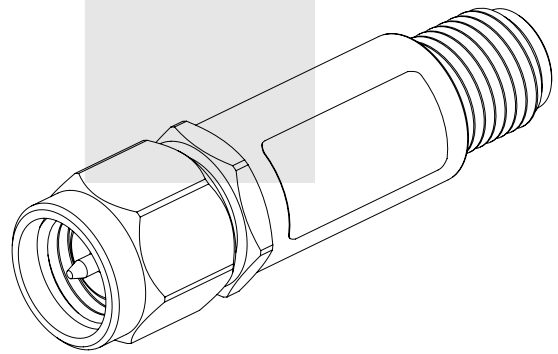
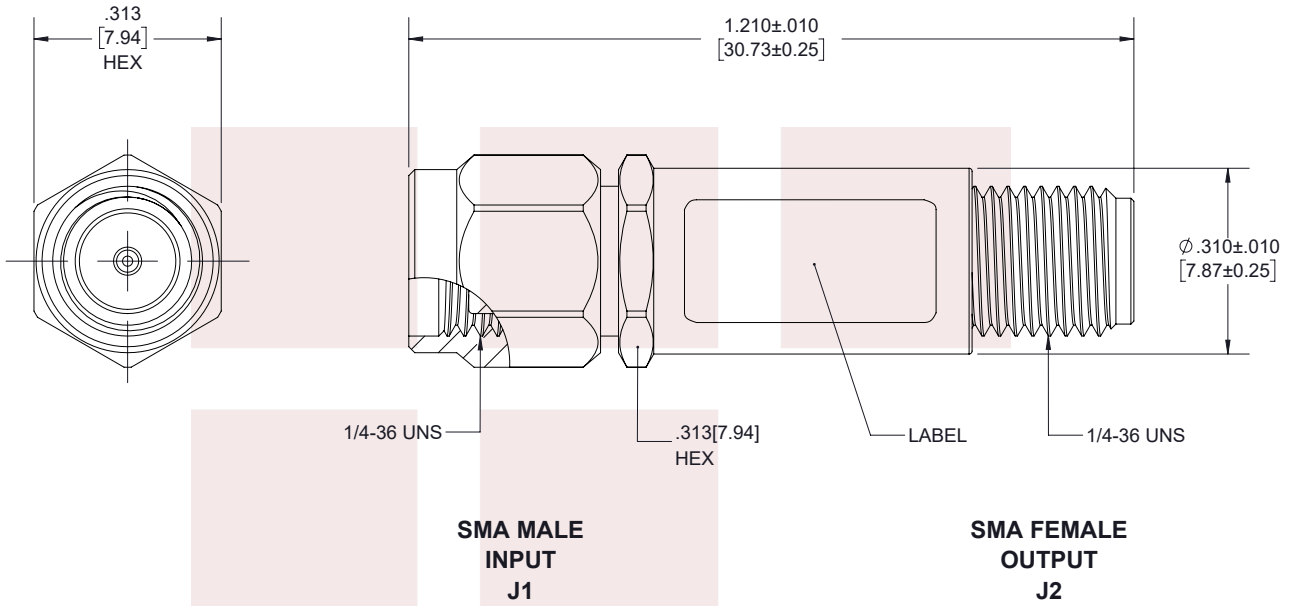
High Power Limiter, SMA, 100W Peak Power, 20 ns Recovery, 16 dBm Flat Leakage, 6 GHz to 18 GHz from Fairview Microwave is in-stock and available to ship same-day. All of our RF/microwave products are available off-the-shelf from our ISO 9001:2008 certified facilities in Lewisville, Texas. Fairview Microwave is RF on-demand.

For additional information on this product, please click the following link: [High Power Limiter, SMA, 100W Peak Power, 20 ns Recovery, 16 dBm Flat Leakage, 6 GHz to 18 GHz FMMT10024](#)

URL: <https://www.fairviewmicrowave.com/high-power-limiter-sma-100w-peak-power-20-ns-recovery-16-dbm-flat-leak-age-6-ghz-to-18-ghz-fmmt10024-p.aspx>

The information contained in this document is accurate to the best of our knowledge and representative of the part described herein. It may be necessary to make modifications to the part and/or the documentation of the part, in order to implement improvements. Fairview Microwave reserves the right to make such changes as required. Unless otherwise stated, all specifications are nominal. Fairview Microwave does not make any representation or warranty regarding the suitability of the part described herein for any particular purpose, and Fairview Microwave does not assume any liability arising out of the use of any part or documentation.





LABEL

| | | |
|---|----|----|
| <p>Fairview Microwave RF COMPONENTS ON DEMAND. <i>Done!</i> www.FAIRVIEWMICROWAVE.com FMMT10024</p> | J1 | J2 |
|---|----|----|

| STANDARD TOLERANCES | |
|---------------------|--------|
| .X | ±0.2 |
| .XX | ±0.01 |
| .XXX | ±0.005 |

*STANDARD TOLERANCES APPLY ONLY TO DIMENSIONS IN INCHES

| | | | | | |
|--|----------|---|--------|--|------|
| <p>Fairview Microwave RF COMPONENTS ON DEMAND. <i>Done!</i></p> | | <p>NOTES: 1. UNLESS OTHERWISE SPECIFIED ALL DIMENSIONS ARE NOMINAL. 2. ALL SPECIFICATIONS ARE SUBJECT TO CHANGE WITHOUT NOTICE AT ANY TIME. 3. DIMENSIONS ARE IN INCHES [mm].</p> | | | |
| <p>TITLE</p> <p>High Power Limiter, SMA, 100W Peak Power, 20 ns Recovery, 16 dBm Flat Leakage, 6 GHz to 18 GHz</p> | | <p>DWG NO</p> <p style="text-align: center;">FMMT10024</p> | | <p>CAGE CODE</p> <p style="text-align: center;">3FKR5</p> | |
| CAD FILE | 05/21/18 | SHEET | 1 OF 1 | SCALE | N/A |
| | | | | SIZE | A |
| | | | | | 7361 |