

High Power Limiter, Field Replaceable SMA, 100W Peak Power, 15 us Recovery, 18 dBm Flat Leakage, 500 MHz to 18 GHz

The FMLM2005 is an Signal Limiter that operates in the 500 MHz to 18 GHz frequency range. The Limiter has up to 5 Watts CW input power handling capability with a +18 dBm max leakage output power level and +50 dBm peak input power. Typical performance includes 2 dB max insertion loss, 1.8:1 typical input VSWR, and a fast response and short recovery time of 15 μsec. The excellent technical performance is achieved through the use of thin film stripline circuit construction. The low profile pin package supports field replaceable SMA connectors and can be drop mounted onto a PWB. The Limiter is designed for high reliability and meets MIL-STD-202F environmental test conditions for Humidity, Shock, Vibration, and Altitude.

Electrical Specifications

Description	Min	Typ	Max	Unit
Frequency Range	0.5		18	GHz
Insertion Loss			2	dB
Input VSWR		1.8:1		
Leakage (CW)			+18	dBm
Recovery Time		15		us
Input Power (CW)			5	Watt
Input Power (Peak) @10μs Pulse Width 5% Duty Cycle			100	Watt
Limiting Threshold	+14			dBm

Mechanical Specifications

Size	
Length	0.788 in [20.02 mm]
Width	0.63 in [16 mm]
Height	0.394 in [10.01 mm]
Weight	0.034 lbs [15.42 g]

Configuration

Style	Limiter
Package Style	Connectorized
Connector 1	SMA Female
Connector 2	SMA Female
Connector Option	Field Replaceable

Environmental Specifications

Temperature	
Operating Range	0 to +50 deg C
Storage Range	-45 to +100 deg C



Features:

- 5 Watt Input Power(CW)
- 500 MHz to 18 GHz Frequency Range
- 2 dB Insertion Loss max.
- VSWR 1.8: 1
- Leakage @ 1 Watt CW +18 dBm Max
- +50 dBm Peak Input Power
- Limiting Threshold +14 dBm
- Field Replaceable SMA Connectors
- Fast Response and Short Recovery Time 15 μs typical
- Compact and Rugged Thin Film Construction

Applications:

- Electronic Warfare
- Test & Measurement
- Military & Space
- Military Communication Systems
- Stabilizing generator outputs
- Reducing amplitude variations
- Protects low noise amplifiers and other devices from ESD or input power damage
- Receiver Protection
- Weapon systems

Fairview Microwave
301 Leora Ln., Suite 100
Lewisville, TX 75056
Tel: 1-800-715-4396 / (972) 649-6678
Fax: (972) 649-6689
www.fairviewmicrowave.com
sales@fairviewmicrowave.com

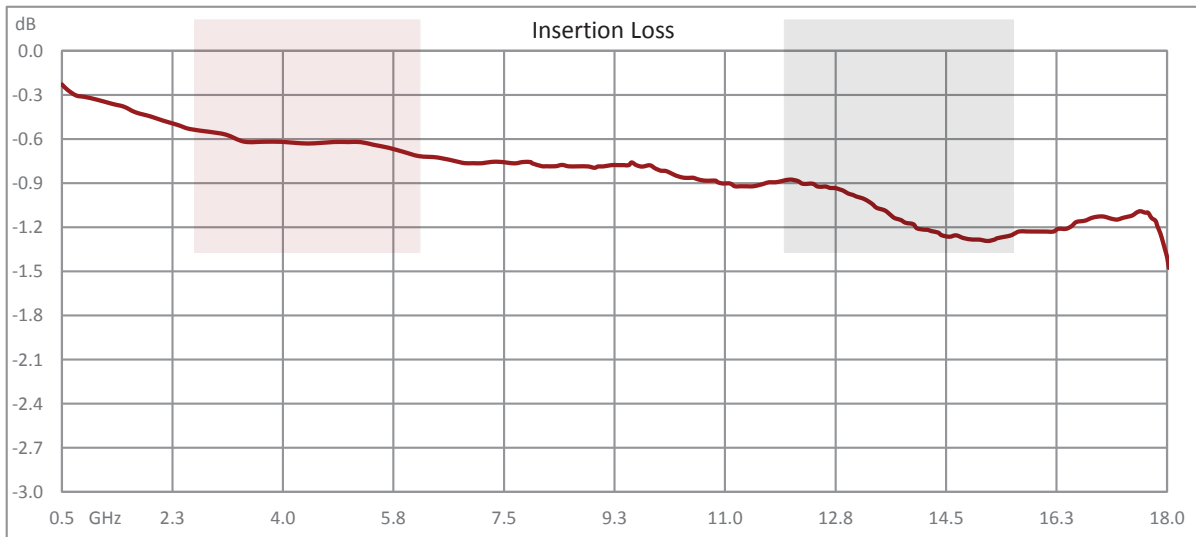
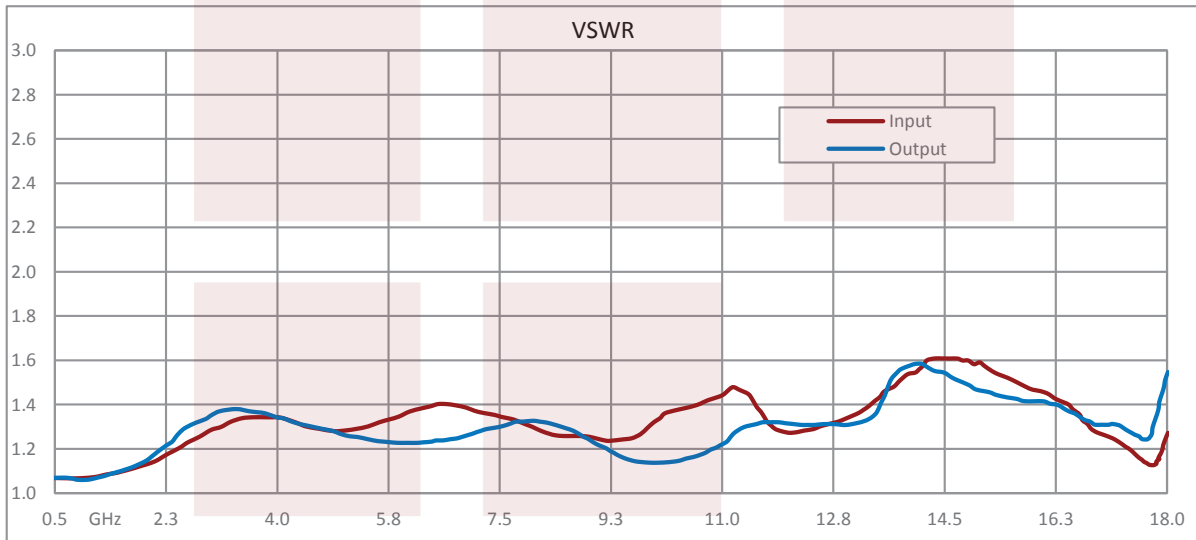
Humidity	MIL-STD-202F, Method 103B, Condition B
Shock	MIL-STD-202F, Method 213B, Condition B
Vibration	MIL-STD-202F, Method 204D, Condition B
Altitude	MIL-STD-202F, Method 105C, Condition B

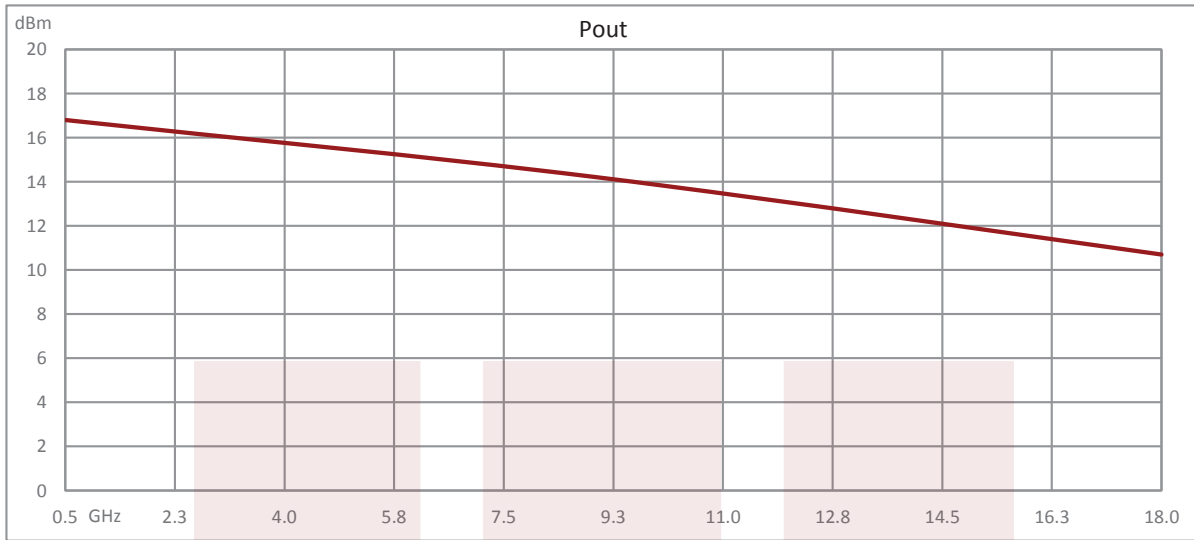
Compliance Certifications (see [product page](#) for current document)
DFARS Compliant 01/12/2017

Plotted and Other Data

Notes:

Typical Performance Data



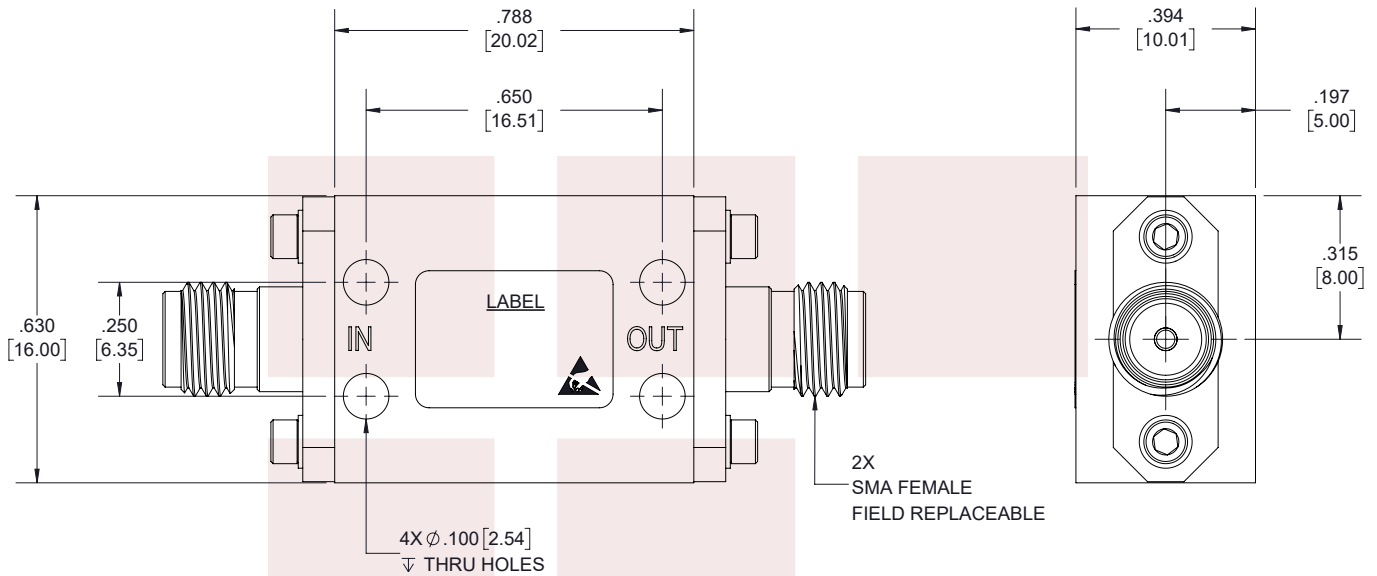


High Power Limiter, Field Replaceable SMA, 100W Peak Power, 15 us Recovery, 18 dBm Flat Leakage, 500 MHz to 18 GHz from Fairview Microwave is in-stock and available to ship same-day. All of our RF/microwave products are available off-the-shelf from our ISO 9001:2008 certified facilities in Lewisville, Texas. Fairview Microwave is RF on-demand.

For additional information on this product, please click the following link: [High Power Limiter, Field Replaceable SMA, 100W Peak Power, 15 us Recovery, 18 dBm Flat Leakage, 500 MHz to 18 GHz FMLM2005](#)

URL: <https://www.fairviewmicrowave.com/sma-limiter-pin-15-us-18-dbm-18-ghz-fmlm2005-p.aspx>

The information contained in this document is accurate to the best of our knowledge and representative of the part described herein. It may be necessary to make modifications to the part and/or the documentation of the part, in order to implement improvements. Fairview Microwave reserves the right to make such changes as required. Unless otherwise stated, all specifications are nominal. Fairview Microwave does not make any representation or warranty regarding the suitability of the part described herein for any particular purpose, and Fairview Microwave does not assume any liability arising out of the use of any part or documentation.



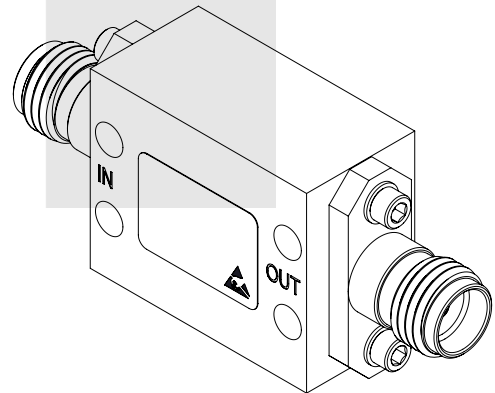
LABEL



STANDARD TOLERANCES

.X	±0.2
.XX	±0.01
.XXX	±0.005

*STANDARD TOLERANCES APPLY ONLY TO DIMENSIONS IN INCHES



<p>Fairview Microwave an INFINITI® brand</p>		<p>NOTES: 1. UNLESS OTHERWISE SPECIFIED ALL DIMENSIONS ARE NOMINAL. 2. ALL SPECIFICATIONS ARE SUBJECT TO CHANGE WITHOUT NOTICE AT ANY TIME. 3. DIMENSIONS ARE IN INCHES [mm].</p>						
<p>TITLE</p> <p>High Power Limiter, Field Replaceable SMA, 100W Peak Power, 15 us Recovery, 18 dBm Flat Leakage, 500 MHz to 18 GHz</p>		<p>DWG NO</p> <p>FMLM2005</p>		<p>CAGE CODE</p> <p>3FKR5</p>				
CAD FILE	05/09/18	SHEET	1 OF 1	SCALE	N/A	SIZE	A	7361