

2500 to 6000 MHz SMA Low Pass Harmonic Filter, 50W Pin, C Band, 0.3 dB Loss and > 20 dB Rejection

The FMHFL0001 is a broadband low pass RF filter that's designed to reduce harmonics at the output of transmitters operating at up through C-Band from 2500 to 6000 MHz. The filter package has a miniature form factor and lightweight that's ideal for applications that involve Amplifier Harmonic Filtering, Military Communications, Avionics, Point-to-Point Communications, Software Defined Radios (SDRs), RF filtering, and Test and Measurement. The filter provides rejection levels of greater than 20 dB from 8 GHz to 10 GHz and accepts input power levels up to 50 watts with typical passband insertion loss of 0.3 dB and low VSWR of 1.5:1. The rugged Mil-Grade assembly supports female SMA RF input/output connectors. The operating baseplate temperature range is -40°C to +85°C and the unit is guaranteed to withstand up to 95% relative humidity, altitude levels up to 30,000 ft, and random vibration and shock profiles (see chart below).

Electrical Specifications

Description	Min	Typ	Max	Units
Passband Frequency	2.5		6	GHz
Impedance		50		Ohms
Cutoff Frequency			6	GHz
Passband VSWR		1.5:1		
RF Input Power Passband		50		Watts

Specifications by Frequency

Description	F1	F2	F3
Passband Freq.	3.5 GHz	5 GHz	6 GHz
Rejection Freq.	8 GHz	10 GHz	16 GHz
Insertion Loss	0.3 dB	0.3 dB	0.75 dB
Rejection	20 dB	25 dB	40 dB



Features:

- Miniature Low Pass Harmonic Filter
- Frequency Range: 2500 MHz to 6000 MHz
- Broadband Design covers C-Band
- Rejection levels >20 dB from 8 GHz to 10 GHz
- Pin up to +50 Watts (Passband)
- Passband Insertion Loss: 0.3 dB typ
- VSWR: 1.5:1
- Small Form Factor Rugged Mil-Grade Package
- 50 Ohm Design
- Female SMA RF Connectors
- -40°C to +85°C Operating Temperature
- EAR99 Export Compliance

Applications:

- Amplifier Harmonic Filtering
- Military Communications
- Avionics
- Point-to-Point Communications
- Software Defined Radios (SDRs)
- RF Filtering
- Test & Measurement

Fairview Microwave
 301 Leora Ln., Suite 100
 Lewisville, TX 75056
 Tel: 1-800-715-4396 / (972) 649-6678
 Fax: (972) 649-6689
www.fairviewmicrowave.com
sales@fairviewmicrowave.com

Absolute Maximum Rating

Parameter	Rating	Unit
Max RF Input Power $Z_L = 50 \Omega$	50	V
Max RF Input Power $Z_L = 10:1$ VSWR	50.0	A
Max Operating Temperature (baseplate)	65	°C
Max Storage Temperature	65	°C



ESD Sensitive Material,
Transport material in Approved
ESD bags. Handle only in
approved
ESD Workstation.

Mechanical Specifications

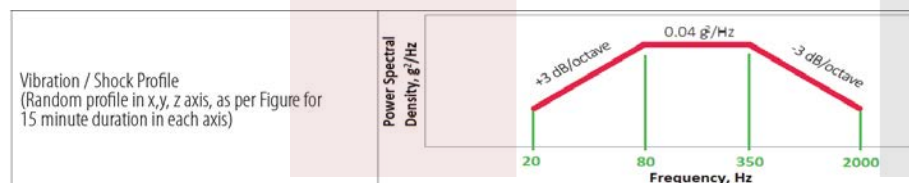
Size

Length	2.56 in [65.02 mm]
Width	0.65 in [16.51 mm]
Height	0.65 in [16.51 mm]
Weight	1.1 lbs [498.95 g]

Configuration

Design	Low Pass Harmonic
Number of Sections	
Connector 1	SMA Female
Connector 2	SMA Female

Environmental Specifications



Temperature

Operating Range	-40 to +65deg C
Storage Range	-40 to +85deg C

Environment

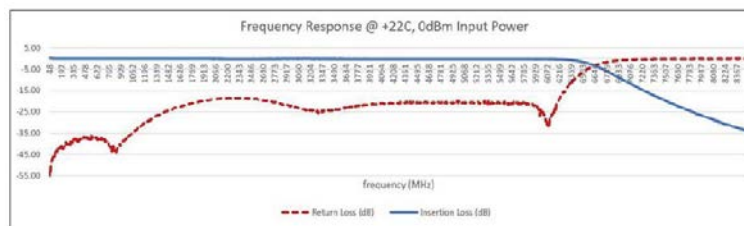
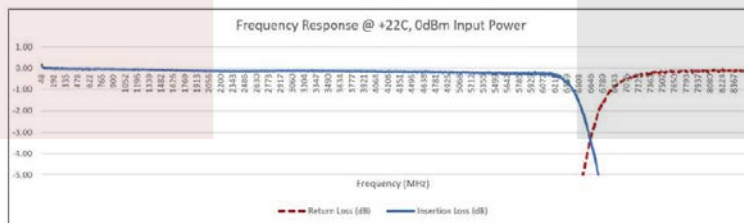
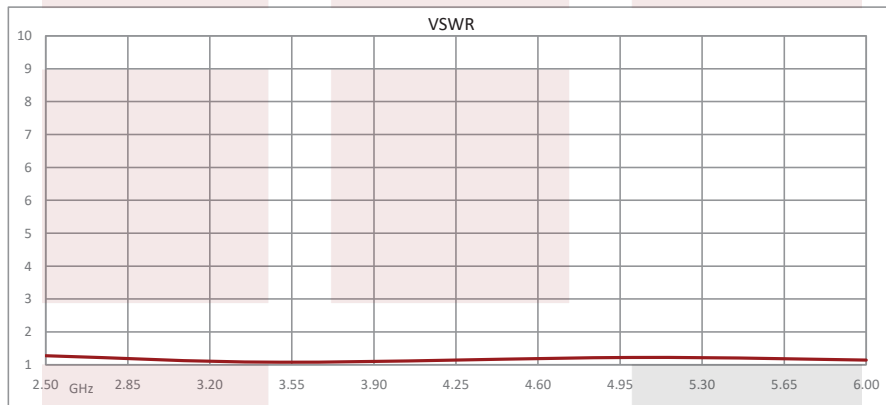
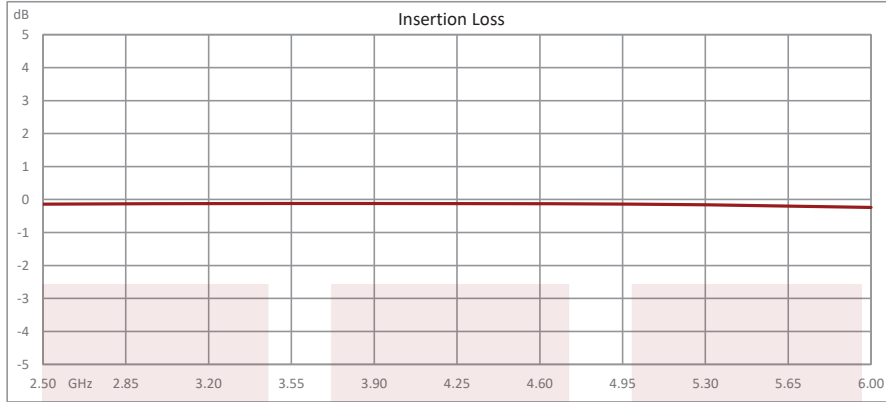
Humidity	95%
Shock	MIL-STD-810
Vibration	MIL-STD-810
Altitude	0 to 30,000 ft

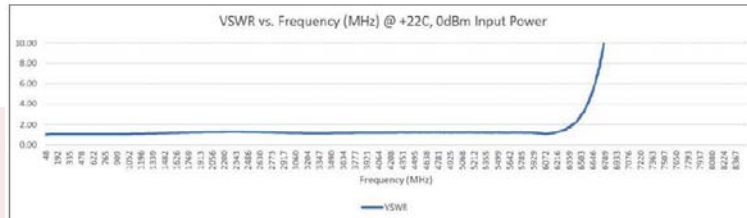
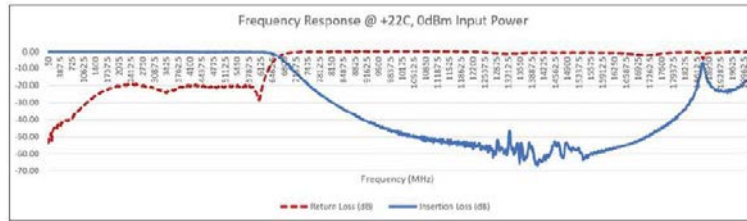
Compliance Certifications (see [product page](#) for current document)

Plotted and Other Data

Notes:

Typical Performance Data





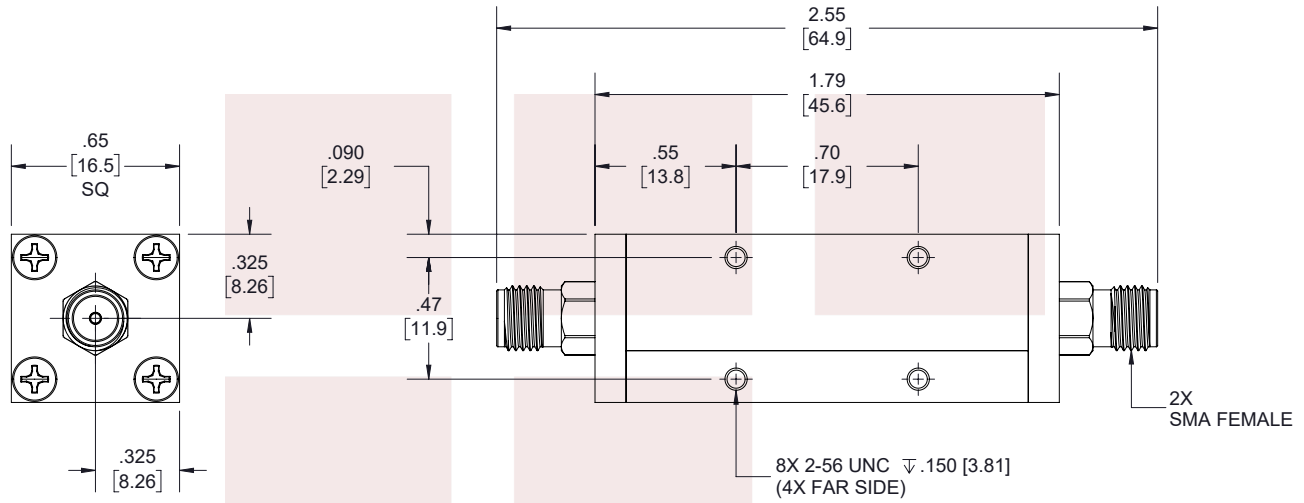
2500 to 6000 MHz SMA Low Pass Harmonic Filter, 50W Pin, C Band, 0.3 dB Loss and > 20 dB Rejection from Fairview Microwave is in-stock and available to ship same-day. All of our RF/microwave products are available off-the-shelf from our ISO 9001:2008 certified facilities in Lewisville, Texas. Fairview Microwave is RF on-demand.

For additional information on this product, please click the following link: [2500 to 6000 MHz SMA Low Pass Harmonic Filter, 50W Pin, C Band, 0.3 dB Loss and > 20 dB Rejection FMHFL0001](https://www.fairviewmicrowave.com/miniature-harmonic-filter-2500-to-6000-mhz-c-band-50-w-pin-20-db-rejection-03-db-loss-sma-fmhfl0001-p.aspx)

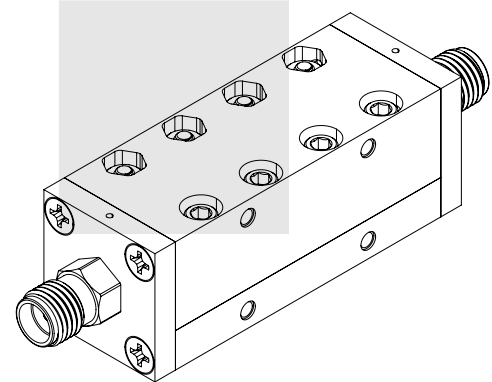
URL: <https://www.fairviewmicrowave.com/miniature-harmonic-filter-2500-to-6000-mhz-c-band-50-w-pin-20-db-rejection-03-db-loss-sma-fmhfl0001-p.aspx>

The information contained in this document is accurate to the best of our knowledge and representative of the part described herein. It may be necessary to make modifications to the part and/or the documentation of the part, in order to implement improvements. Fairview Microwave reserves the right to make such changes as required. Unless otherwise stated, all specifications are nominal. Fairview Microwave does not make any representation or warranty regarding the suitability of the part described herein for any particular purpose, and Fairview Microwave does not assume any liability arising out of the use of any part or documentation.

REVISIONS			
REV.	DESCRIPTION	DATE	APPROVED
A	INITIAL RELEASE	6/15/2020	T.GALLA



LABEL



THESE COMMODITIES, TECHNOLOGY OR SOFTWARE WERE EXPORTED FROM THE UNITED STATES IN ACCORDANCE WITH THE EXPORT ADMINISTRATION REGULATIONS. DIVERSION CONTRARY TO U.S. LAW PROHIBITED.



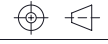
TITLE
2500 to 6000 MHz SMA Low Pass Harmonic Filter, 50W Pin, C Band, 0.3 dB Loss and > 20 dB Rejection

UNLESS OTHERWISE SPECIFIED LEADING DIMENSIONS ARE INCHES
DIMENSIONS IN [] ARE MILLIMETERS

TOLERANCES: CABLE LENGTH (L) TOLERANCES:

.X = ±.2 [5.08]	FRACTIONS	L ≤ 12 [305] = +1 [25] / -0
.XX = ±.02 [.51]	± 1/32	12 [305] < L ≤ 60 [1524] = +2 [51] / -0
.XXX = ±.005 [.13]	ANGLES ± 1°	60 [1524] < L ≤ 120 [3048] = +4 [102] / -0
		120 [3048] < L ≤ 300 [7620] = +6 [152] / -0
		300 [7620] < L = +5%L / -0

THIRD-ANGLE PROJECTION



THE INFORMATION AND DESIGN IN THIS DOCUMENT IS THE PROPERTY OF FAIRVIEW MICROWAVE CORPORATION. ALL RIGHTS RESERVED.

SHEET 1 OF 1

ALL DIMENSIONS SHOWN ARE FOR REFERENCE ONLY.

SCALE N/A

SIZE A	CAGE CODE 3FKR5	DRAWN BY K.DANG	ITEM NO. FMHFL0001	REV A
-----------	--------------------	--------------------	-----------------------	----------

T-Rev.D