

**SMA Mixer From 2 GHz to 8 GHz With an IF Range
 From 100 MHz to 4 GHz And LO Power of +10 dBm**

Fairview Microwave's FMFX1051 is a triple balanced mixer module that operates across an RF and LO frequency range of 2 GHz to 8 GHz with an IF frequency range of 100 MHz to 4 GHz. This triple balanced mixer provides good LO to RF isolation of 26 dB. The FMFX1051 also provides low conversion loss of 6.2 dB. RF Mixers are commonly used to convert from one frequency to another. This is done by "mixing" two signals of different frequencies, also known as heterodyning.



Features:

- Triple Balanced Mixer Module
- RF/LO Frequency 2 GHz to 8 GHz
- IF Bandwidth 100 MHz to 4 GHz
- LO Drive Level +10 dBm
- Good LO/RF Isolation of 26 dB

Electrical Specifications

Description	Min	Typ	Max	Units
RF Frequency Range	2		8	GHz
LO Frequency Range	2		8	GHz
IF Frequency Range	0.1		4	GHz
Impedance		50		Ohms
Conversion Loss		6.2	9	dB
LO to RF Isolation	20	26		dB
LO to IF Isolation	20	28		dB
Input at P1dB		+4		dBm
Input at IP3		+14		dBm
LO Input Power		+10	+13	dBm
Input Power (CW)			0.35	Watts
Input Power (Peak) 1 usec pulse, 0.1% duty cycle			0.5	Watts
Input Current (Peak)			0.25	A

Electrical Specification Notes:
 Values at 25°C, sea level.

Mechanical Specifications

Size	
Length	1.55 in [39.37 mm]
Width	0.31 in [7.87 mm]
Height	0.965 in [24.51 mm]
Housing Material and Plating	Passivated Stainless Steel

Configuration	
Design	Triple Balanced
Package Type	Connectorized
RF Connector	SMA Female
LO Connector	SMA Female
IF Connector	SMA Female

Applications:

- Electronic Warfare
- Point-to-Point Radios
- Point-to-Multipoint Radios
- VSAT
- Radar
- Space Systems
- Test Instrumentation
- Sensors
- Telecom Infrastructure

Fairview Microwave
 301 Leora Ln., Suite 100
 Lewisville, TX 75056
 Tel: 1-800-715-4396 / (972) 649-6678
 Fax: (972) 649-6689
www.fairviewmicrowave.com
sales@fairviewmicrowave.com

Environmental Specifications

Temperature

Operating Range -55 to +125 deg C
Storage Range -65 to +150 deg C

Compliance Certifications (see [product page](#) for current document)

Plotted and Other Data

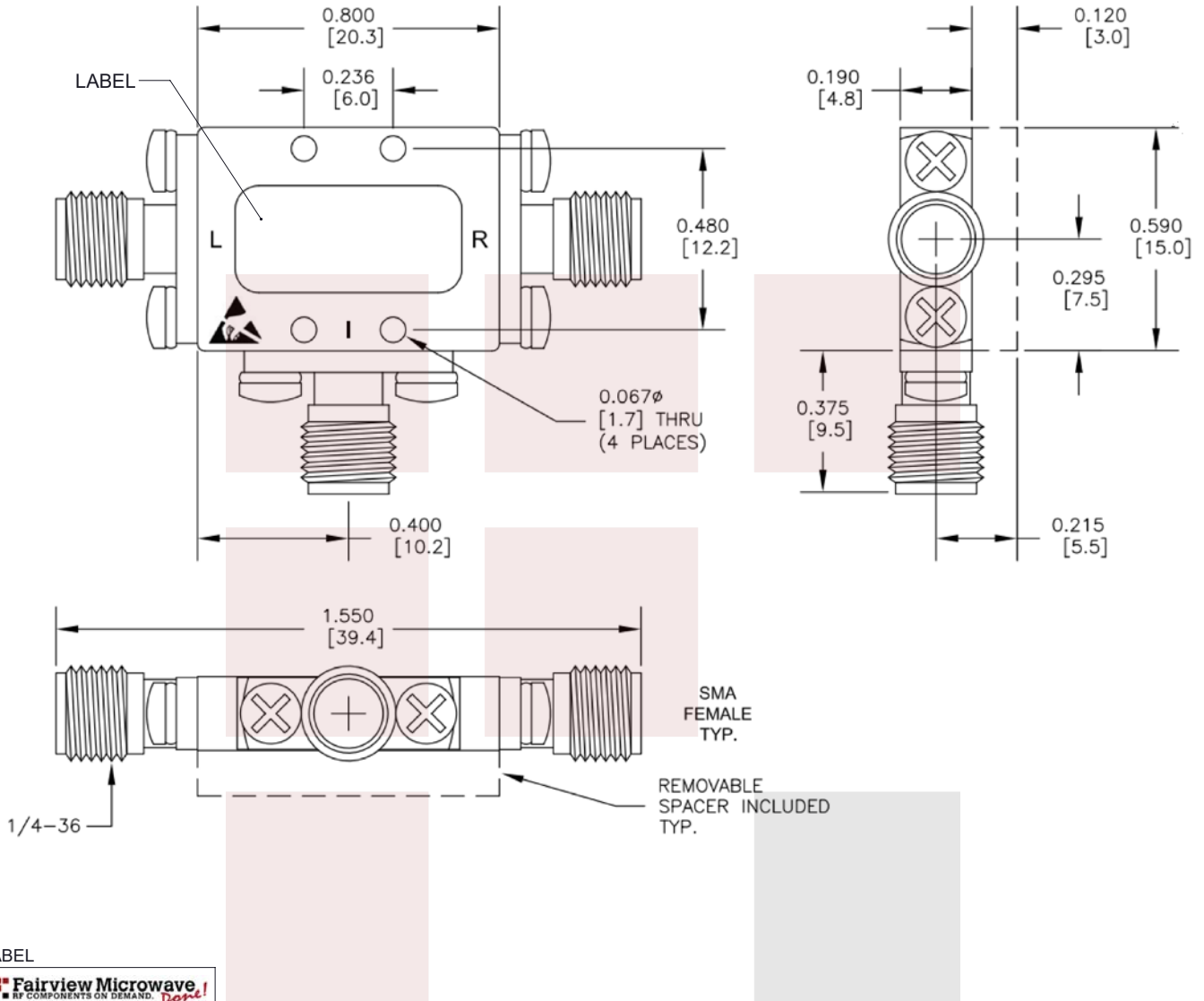
Notes:

SMA Mixer From 2 GHz to 8 GHz With an IF Range From 100 MHz to 4 GHz And LO Power of +10 dBm from Fairview Microwave is in-stock and available to ship same-day. All of our RF/microwave products are available off-the-shelf from our ISO 9001:2008 certified facilities in Allen, Texas. Fairview Microwave is RF on-demand.

For additional information on this product, please click the following link: [SMA Mixer From 2 GHz to 8 GHz With an IF Range From 100 MHz to 4 GHz And LO Power of +10 dBm FMFX1051](#)

URL: <https://www.fairviewmicrowave.com/sma-mixer-10-dbm-fmfx1051-p.aspx>

The information contained in this document is accurate to the best of our knowledge and representative of the part described herein. It may be necessary to make modifications to the part and/or the documentation of the part, in order to implement improvements. Fairview Microwave reserves the right to make such changes as required. Unless otherwise stated, all specifications are nominal. Fairview Microwave does not make any representation or warranty regarding the suitability of the part described herein for any particular purpose, and Fairview Microwave does not assume any liability arising out of the use of any part or documentation.



LABEL
Fairview Microwave
 RF COMPONENTS ON DEMAND. *Done!*
 www.FAIRVIEWMICROWAVE.com
FMFX1051

STANDARD TOLERANCES
 .X ±0.2
 .XX ±0.01
 .XXX ±0.005

*STANDARD TOLERANCES APPLY ONLY TO DIMENSIONS IN INCHES

Fairview Microwave RF COMPONENTS ON DEMAND. <i>Done!</i>	NOTES: 1. UNLESS OTHERWISE SPECIFIED ALL DIMENSIONS ARE NOMINAL. 2. ALL SPECIFICATIONS ARE SUBJECT TO CHANGE WITHOUT NOTICE AT ANY TIME. 3. DIMENSIONS ARE IN INCHES [mm].					
	DWG NO FMFX1051		CAGE CODE 3FKR5			
TITLE SMA Mixer From 2 GHz to 8 GHz With an IF Range From 100 MHz to 4 GHz And LO Power of +10 dBm		CAD FILE 05/24/18	SHEET 1 OF 1	SCALE N/A	SIZE A	7361