

Non-Penetrating Antenna Flat Roof Mount 34-inch Pole Only



FMFRMARM

Features

- Easy assembly instructions
- 5 ft tall center mast
- Secondary arm of 2.75 ft
- Powder coated galvanized steel
- Operating windspeeds up to 50 KM/h (31 mph)
- Survival windspeeds up to 100 KM/h (62 mph)
- All assembly hardware included
- Optional mat for max surface tension/protection
- Standard 16" x 8" cinder blocks (Not included)

Applications

- De-centralized wireless networks (FreedomFi, Helium, POLLEN, XNET, MetaBlox, etc.)
- Scientific and weather instrumentations
- Wireless or satellite antenna
- Security camera and instruments
- Solar panel

Description

The Fairview Microwave's FMFRMARM non-penetrating antenna flat roof mount pole is available for antenna installations and it is easy to transport. This 34-inch non-penetrating antenna mount pole has a strong and rugged design made up of galvanized steel. Our flat roof mount is designed for telecom installers, DIY installers, and satellite dish installers.

This flat roof mount pole has a powder coating to withstand harsh climates and corrosion. The non-penetrating antenna flat roof mount has operating windspeeds up to 50 Km/h or 31 MPH and survives at windspeeds up to 100 Km/h or 62 MPH. Our non-penetrating roof mount is used for flat roofs and is available with easy assembly instructions.

The non-penetrating flat roof mount is suitable for wireless internet providers, crypto enterprises, and commercial building owners that can be mounted on roofs. Ballast material (i.e., cinder blocks, concrete blocks, etc.) are used in these non-drill roof mounts to anchor them to the roof. This non-penetrating antenna flat roof mount pole doesn't need screws or anchors, which minimizes damage to the roofs.

Fairview Microwave's has the largest in-stock selection of non-penetrating antenna flat roof mount pole for international and domestic orders. Make your online purchase right now to take advantage of our same-day shipping. For further information on similar products, our expert technical support and knowledgeable sales team can help you get the perfect 34-inch non-penetrating antenna roof mount pole for your requirements.

Note: Ballast data should be determined by a local professional engineer. Adequate ballast material must be determined and provided by others.

Non-Penetrating Antenna Flat Roof Mount 34-inch Pole Only



FMFRMARM

Configuration

Note:

- **Ballast data should be determined by a local professional engineer. Adequate ballast material must be determined and provided by others**
- Prior to installation, verify that the installation, roof material and supporting structures have been investigated and found capable to withstand load
- Place ballast material (i.e., cinder blocks, concrete blocks, etc.) evenly on both side with at least 4 on each side, total 8 blocks per mount approx. 300lbs over all base angles (Estimated Operational Ballast)
- All antenna installations MUST be grounded
- **Fairview Microwave RECOMMENDS THAT BALLAST MATERIAL ALWAYS BE PLACED PRIOR TO MOUNTING ANTENNAS AND THAT THE MOUNT BE SECURED TO PREVENT HAZARDS FROM OCCURRING UNDER EXTREME WIND LOADING CONDITION**
- Inspect all bolts and screws for optimal tightness (recommended torque 13-14 lbs-ft.) to ensure there is no loose gaps after installation
- Recommended to use self-tapping screws provided with mount to reduce the loading of the roof if working environment is allowed to drill
- Inspect the mount, antennas, and tightness of nuts at six-month maximum intervals

Operational	50 Km/h (31 mph)	Under recommended Load
Survival	100 Km/h (62 mph)	Under recommended Load

CONTACT A LOCAL PROFESSIONAL ENGINEER TO DETERMINE PROPER LOADING vs BALLAST WEIGHTS

Operational: It is workable under 50km/h wind speeds.

Survival: The products may be deformed but will not fly away.

Mechanical Specifications

Size

Length	34.25 in [869.95 mm]
Width	2.95 in [74.93 mm]
Height	2.95 in [74.93 mm]
Weight	7.7 lbs [3.49 kg]

Environmental Specifications

Temperature

Operating Range	-40 to +80 deg C
Wind Velocity	31 MPH [49.89KPH]
Plating	Powder Coat
Material	Galvanized Steel
Package Quantity	1

Non-Penetrating Antenna Flat Roof Mount 34-inch Pole Only



FMFRMARM

Typical Radiation Pattern

Non-Penetrating Antenna Flat Roof Mount 34-inch Pole Only from Fairview Microwave is in-stock and available to ship same-day. All of our RF/microwave products are available off-the-shelf from our ISO 9001:2008 certified facilities in Lewisville, Texas. Fairview Microwave is RF on-demand.

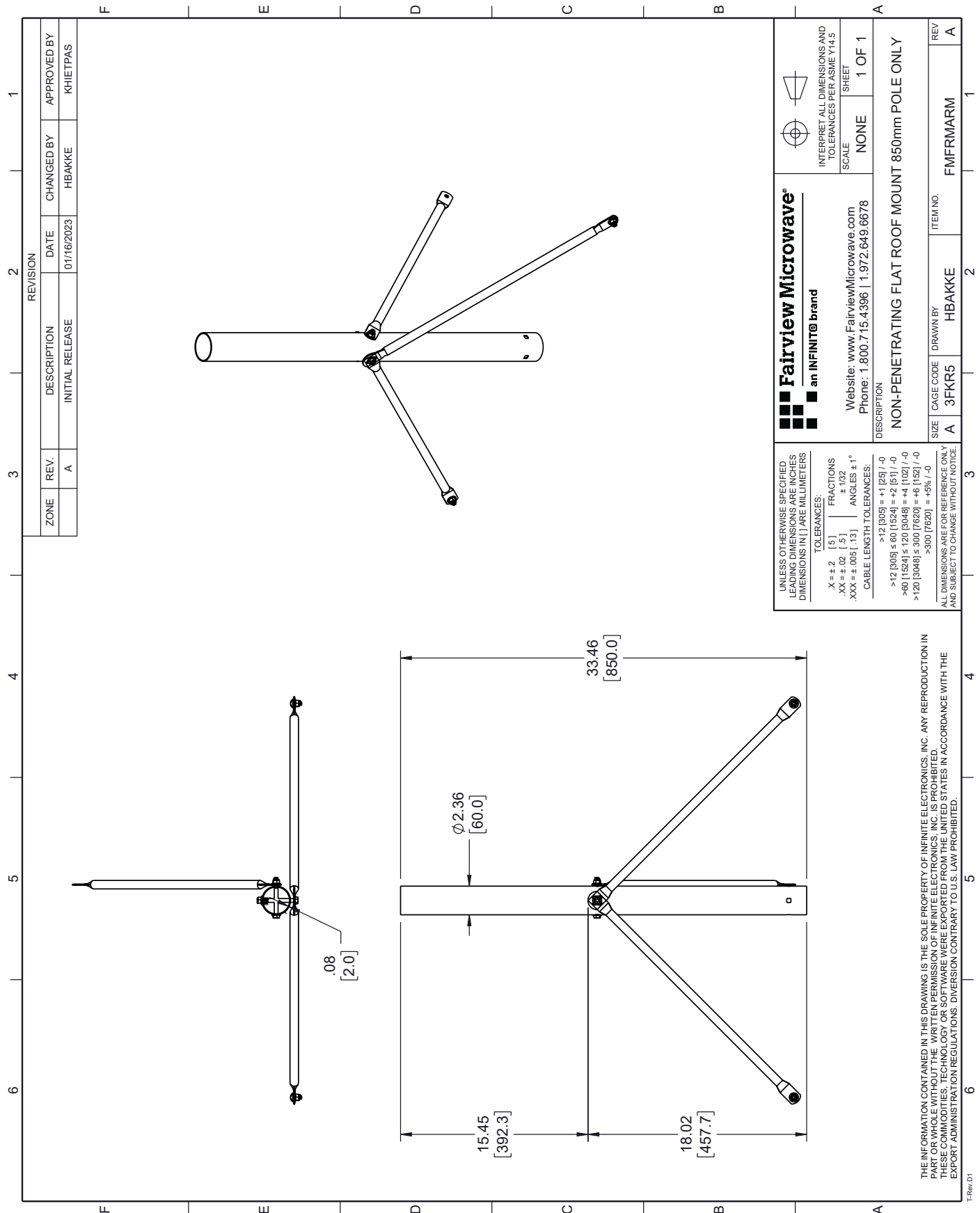
For additional information on this product, please click the following link: [Non-Penetrating Antenna Flat Roof Mount 34-inch Pole Only](#)

URL: <https://www.fairviewmicrowave.com/non-penetrating-antenna-flat-roof-mount-34-inch-pole-only-fmfrmarm-p.aspx>

The information contained within this document is accurate to the best of our knowledge and representative of the part described herein. It may be necessary to make modifications to the part and/or the documentation of the part in order to implement improvements. Fairview Microwave reserves the right to make such changes as required. Unless otherwise stated, all specifications are nominal. Fairview Microwave does not make any representation or warranty regarding the suitability of the part described herein for any particular purpose, and Fairview Microwave does not assume liability arising out of the use of any part or document.

CAD Drawing

Non-Penetrating Antenna Flat Roof Mount 34-inch Pole Only



REVISION			
ZONE	REV	DESCRIPTION	DATE
	A	INITIAL RELEASE	01/16/2023
		CHANGED BY	HBAKKE
		APPROVED BY	KHIETPAS

<p>Fairview Microwave an INFINIT® brand</p> <p>Website: www.FairviewMicrowave.com Phone: 1.800.715.4396 1.972.649.6678</p>	<p>INTERPRET ALL DIMENSIONS AND TOLERANCES PER ASME Y14.5</p>
	<p>SCALE: NONE</p> <p>SHEET: 1 OF 1</p>
<p>DESCRIPTION: NON-PENETRATING FLAT ROOF MOUNT 850mm POLE ONLY</p>	
<p>SIZE: A</p> <p>CAGE CODE: 3FKR5</p> <p>DRAWN BY: HBAKKE</p> <p>ITEM NO.:</p>	<p>REV: A</p>

UNLESS OTHERWISE SPECIFIED, ALL DIMENSIONS ARE IN INCHES. DIMENSIONS IN [] ARE IN MILLIMETERS.

TOLERANCES:

X = ±.2 [5] FRACTIONS ± 1/32

.XX = ±.02 [.5] ANGLES ± 1°

.XXX = ±.005 [.13] CABLE LENGTH TOLERANCES:

>12 [305] = +1 [25] / -0

>60 [1524] ≤ 60 [1524] = +2 [51] / -0

>120 [3048] ≤ 120 [3048] = +4 [102] / -0

>300 [7620] = +8 [203] / -0

ALL DIMENSIONS ARE FOR REFERENCE ONLY AND SUBJECT TO CHANGE WITHOUT NOTICE.

THE INFORMATION CONTAINED IN THIS DRAWING IS THE SOLE PROPERTY OF INFINITE ELECTRONICS, INC. ANY REPRODUCTION IN PART OR WHOLE WITHOUT THE WRITTEN PERMISSION OF INFINITE ELECTRONICS, INC. IS PROHIBITED. THESE COMMODITIES, TECHNOLOGY OR SOFTWARE WERE EXPORTED FROM THE UNITED STATES IN ACCORDANCE WITH THE EXPORT ADMINISTRATION REGULATIONS. DIVERSION CONTRARY TO U.S. LAW PROHIBITED.

TRev_01