

**Highpass Cavity Filter With SMA Female Connectors
 From 1 GHz to 13 GHz With a 12 GHz Passband**

The FMFL1018 is a seven section High pass filter. The pass band is 12,000 MHz wide, from 1 GHz to 13 GHz with excellent rejection of 40 dB from DC to 500 MHz. It has a maximum insertion loss of 2 dB. The FMFL1018 has SMA female connectors.



Electrical Specifications*

Description	Min	Typ	Max	Units
Passband Freq.	1000		13	MHz
Useable Freq. Range		1 to 13		GHz
Impedance		50		Ohms
Insertion Loss			2	dB
Input Power			5	Watts
Rejection at 0 KHz	40			dB
Rejection at 500 MHz	40			dB

Features:

- Design: High Pass Filter
- Number of Sections: 7
- Connector 1: SMA Female
- Connector 2: SMA Female

Mechanical Specifications

Size	
Length	0.85 in [21.59 mm]
Width	0.6 in [15.24 mm]
Height	0.7 in [17.78 mm]

Connectors

Description	Connector 1	Connector 2
Type	SMA Female	SMA Female

Compliance Certifications (visit www.FairviewMicrowave.com for current document)

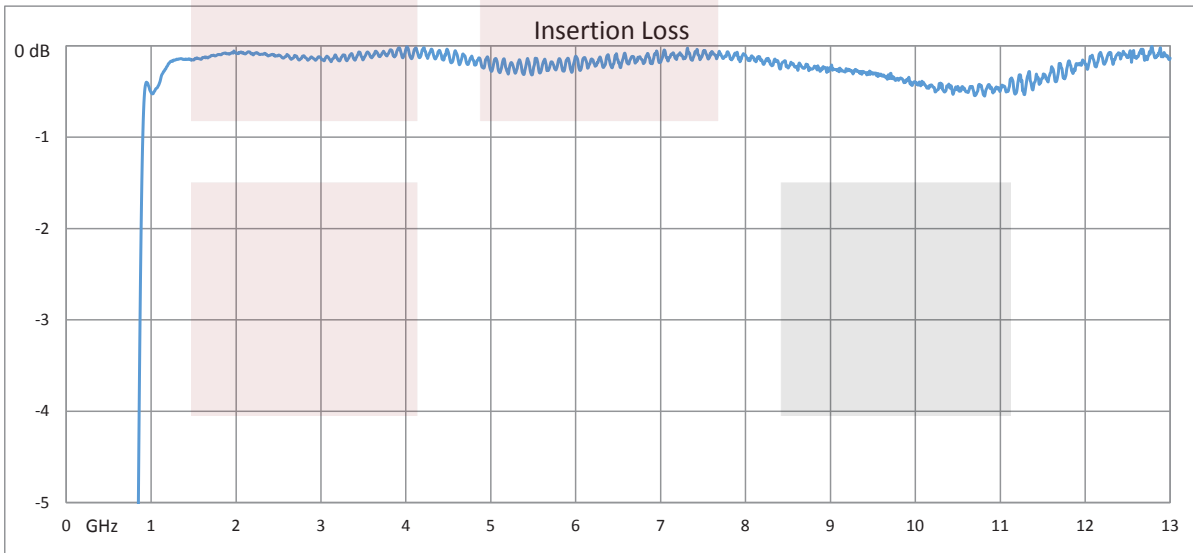
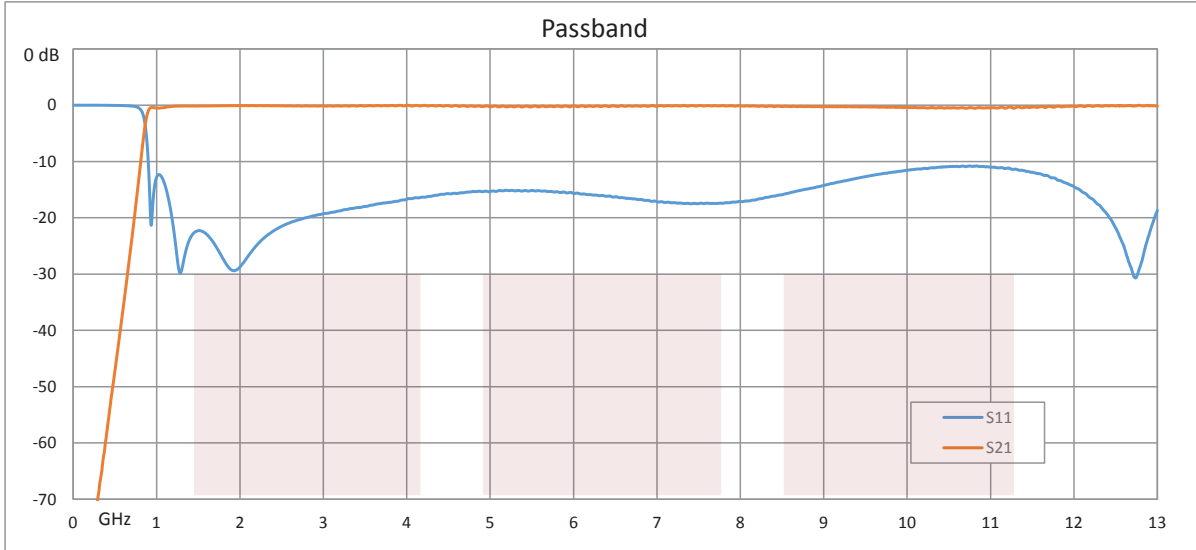
RoHS Compliant	Yes
REACH Compliant	Yes

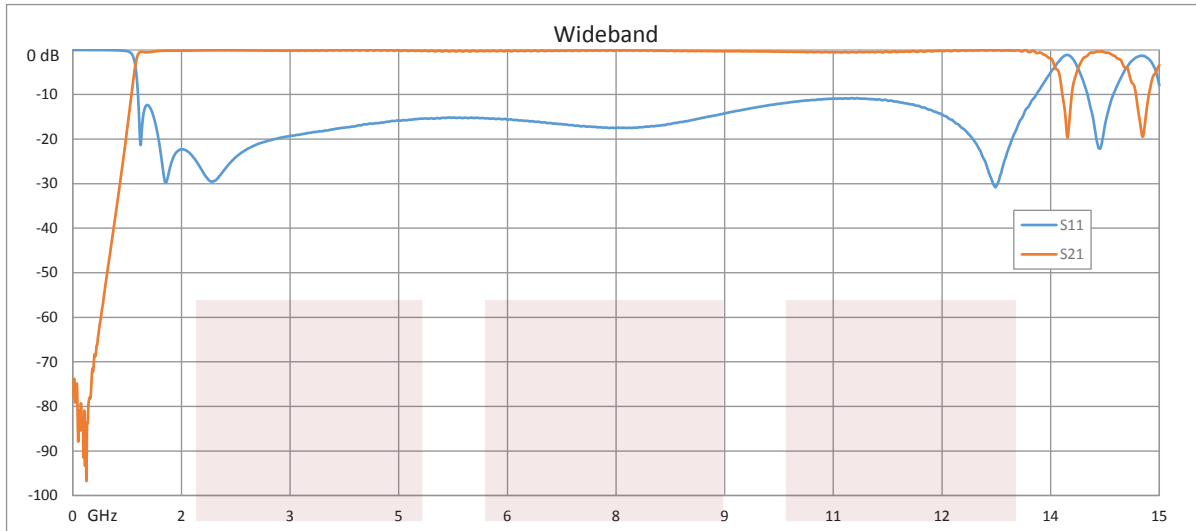
Plotted and Other Data

- Notes:
- Values at 25 °C, sea level

Fairview Microwave
 1130 Junction Dr. #100
 Allen, TX 75013
 Tel: 1-800-715-4396 / (972) 649-6678
 Fax: (972) 649-6689
www.fairviewmicrowave.com
sales@fairviewmicrowave.com

Typical Performance Data



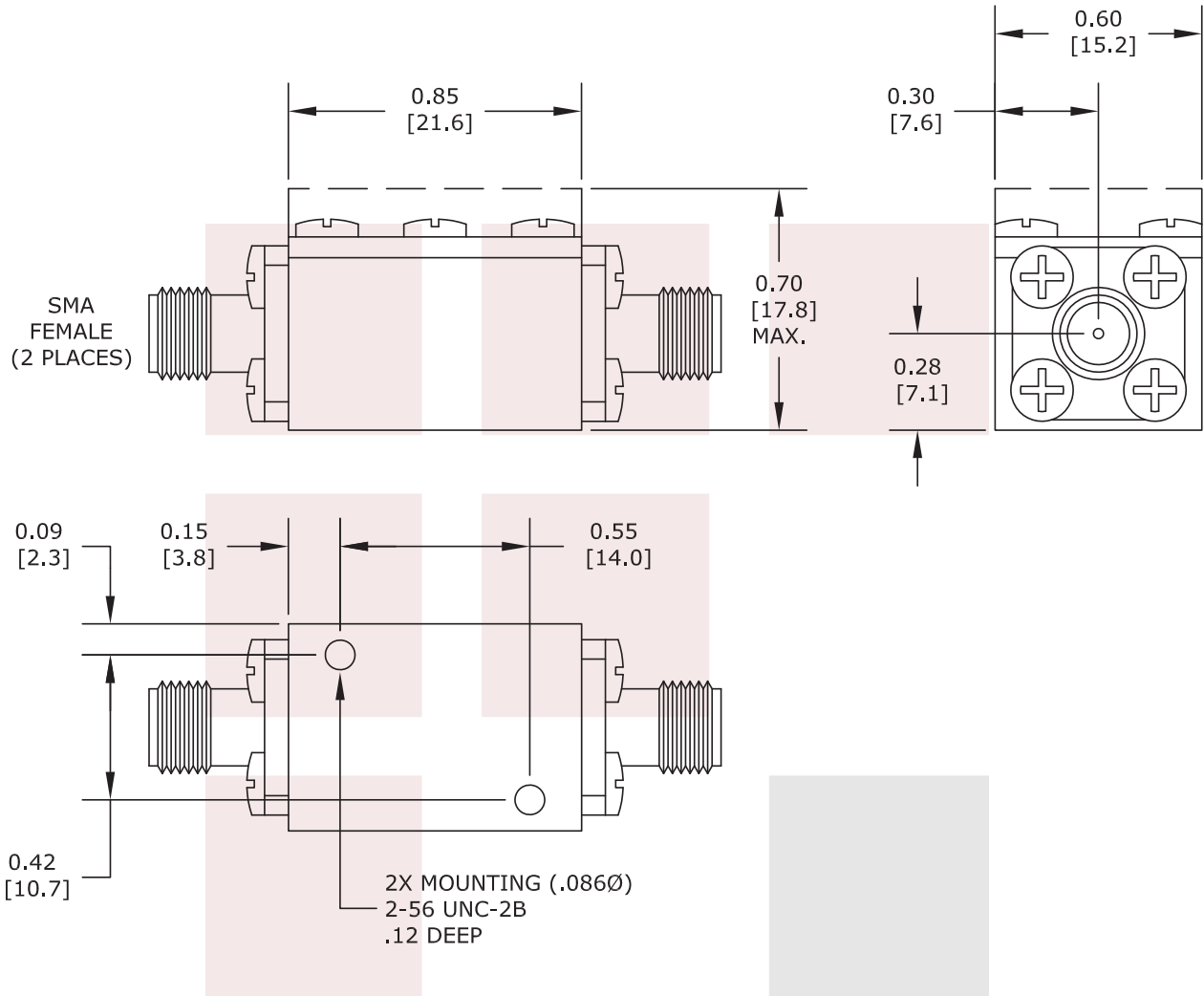


Highpass Cavity Filter With SMA Female Connectors From 1 GHz to 13 GHz With a 12 GHz Passband from Fairview Microwave is in-stock and available to ship same-day. All of our RF/microwave products are available off-the-shelf from our ISO 9001:2008 certified facilities in Allen, Texas. Fairview Microwave is RF on-demand.

For additional information on this product, please click the following link: [Highpass Cavity Filter With SMA Female Connectors From 1 GHz to 13 GHz With a 12 GHz Passband FMFL1018](http://www.fairviewmicrowave.com/high-pass-filter-1-13-ghz-sma-female-connectors-fmfl1018-p.aspx)

URL: <http://www.fairviewmicrowave.com/high-pass-filter-1-13-ghz-sma-female-connectors-fmfl1018-p.aspx>

The information contained in this document is accurate to the best of our knowledge and representative of the part described herein. It may be necessary to make modifications to the part and/or the documentation of the part, in order to implement improvements. Fairview Microwave reserves the right to make such changes as required. Unless otherwise stated, all specifications are nominal. Fairview Microwave does not make any representation or warranty regarding the suitability of the part described herein for any particular purpose, and Fairview Microwave does not assume any liability arising out of the use of any part or documentation.



TOLERANCE	
.X	± .1
.XX	± .01
.XXX	± .005
.XXXX	± .0010

* THESE DIMENSIONS AND TOLERANCES
 SUPERSEDE NOTE #1 ON TITLE BLOCK.

FAIRVIEW MICROWAVE INC. ALLEN, TX 75013 WWW.FAIRVIEWMICROWAVE.COM		NOTES: 1. UNLESS OTHERWISE SPECIFIED ALL DIMENSIONS ARE NOMINAL. 2. ALL SPECIFICATIONS ARE SUBJECT TO CHANGE WITHOUT NOTICE AT ANY TIME. 3. DIMENSIONS ARE IN INCHES [mm].			
TITLE Highpass Cavity Filter With SMA Female Connectors From 1 GHz to 13 GHz With a 12 GHz Passband		DWG NO FMFL1018		CAGE CODE 3FKR5	
CAD FILE	110215	SHEET	SCALE	N/A	SIZE A 2233