

8 Way Power Divider N Interface to 2.7 GHz Rated at 30 Watts

The FMDV1038A is a 8 way Wilkinson Power Divider with N Type Female connectors rated to 30 watt CW.

Fairview Microwave's family of Power Dividers are designed without solder joints and a unique construction allows for exceptional performance within the 698 to 2,700 MHz frequency range. They are offered in a range of output port options to allow flexibility in the design of your DAS system. They can be used indoor or outdoor as they meet the moisture requirements of IP65. They are available in two different connector types: N and Mini DIN 4.1/9.5.

Electrical Specifications

Design				Wilkinson
Number of Output Ports				8
Description	Min	Typ	Max	Units
Frequency Range	0.698		2.7	GHz
Impedance	50			Ohms
Input VSWR	1.4:1			
Output VSWR	1.3:1			
Insertion Loss	1.4			dB
Isolation	20			dB
Input Power (CW)	30			Watts
Reverse Power (CW)	1			Watt

Mechanical Specifications

Housing Material and Plating	Aluminum, Chem Film
Configuration	
Package Type	Connectorized
Input Connector	N Female
Output Connectors	N Female
Ingress Protection (IP) Rating	IP65

Compliance Certifications (see [product page](#) for current document)

Plotted and Other Data

Notes:



Features:

- 30 watt CW Rating
- 698 to 2,700 MHz
- High Power
- N Type Female Connector
- Mounting Bracket

Applications:

- Indoor/Outdoor Use (IP65)
- Base Station
- 4G/LTE/AWS/PCS/PMR/UMTS/TETRA/WiFi/WiMAX
- Distributed Antenna Systems (DAS)
- Wireless Infrastructure

Fairview Microwave
 301 Leora Ln., Suite 100
 Lewisville, TX 75056
 Tel: 1-800-715-4396 / (972) 649-6678
 Fax: (972) 649-6689
www.fairviewmicrowave.com
sales@fairviewmicrowave.com

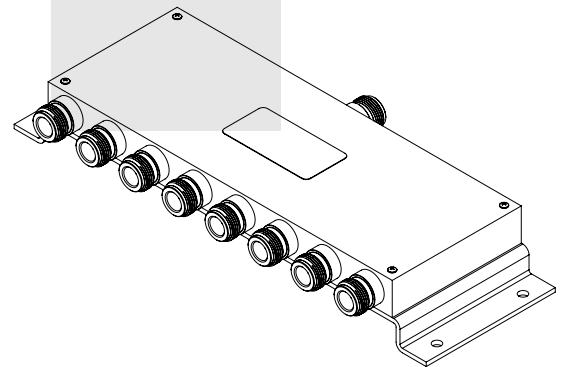
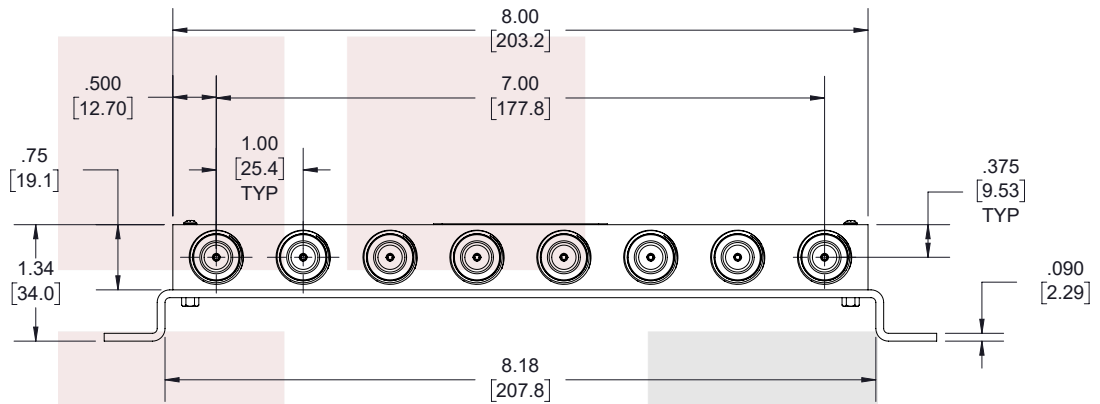
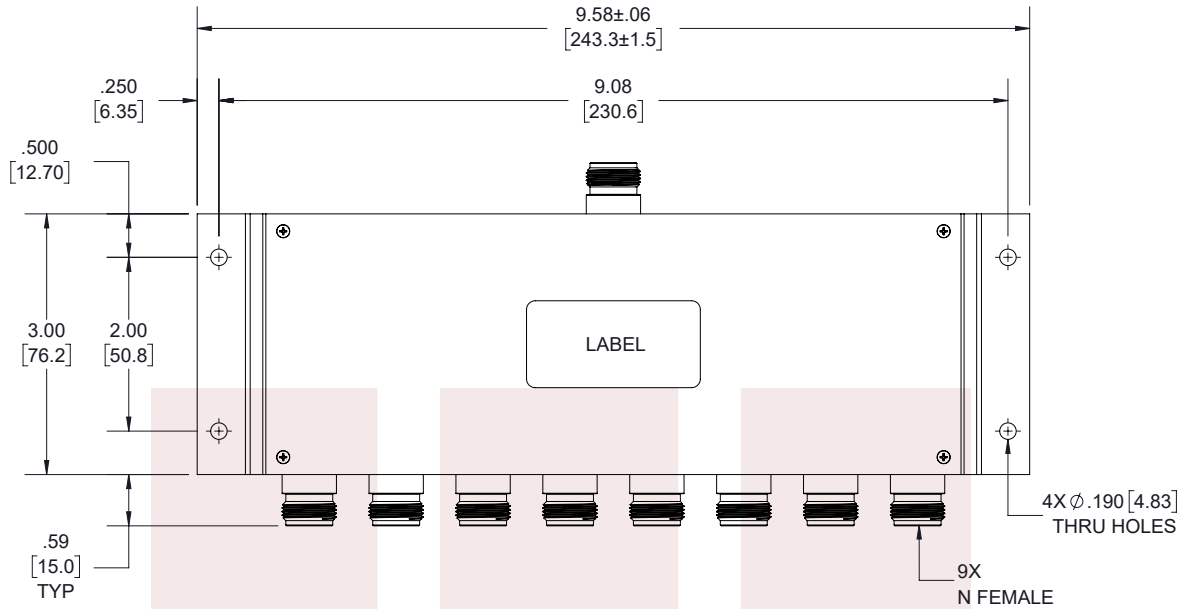
8 Way Power Divider N Interface to 2.7 GHz Rated at 30 Watts from Fairview Microwave is in-stock and available to ship same-day. All of our RF/microwave products are available off-the-shelf from our ISO 9001:2008 certified facilities in Allen, Texas. Fairview Microwave is RF on-demand.

For additional information on this product, please click the following link: [8 Way Power Divider N Interface to 2.7 GHz Rated at 30 Watts FMDV1038A](#)

URL: <https://www.fairviewmicrowave.com/8-way-power-divider-n-2.7-ghz-fmdv1038a-p.aspx>

The information contained in this document is accurate to the best of our knowledge and representative of the part described herein. It may be necessary to make modifications to the part and/or the documentation of the part, in order to implement improvements. Fairview Microwave reserves the right to make such changes as required. Unless otherwise stated, all specifications are nominal. Fairview Microwave does not make any representation or warranty regarding the suitability of the part described herein for any particular purpose, and Fairview Microwave does not assume any liability arising out of the use of any part or documentation.





LABEL

INPUT
Fairview Microwave
an INFINIT[®] brand
FMDV1038A
D/C: XXYY
OUTPUT(s)

STANDARD TOLERANCES
.X ±0.2
.XX ±0.01
.XXX ±0.005

*STANDARD TOLERANCES APPLY ONLY TO DIMENSIONS IN INCHES

NOTES:
1. UNLESS OTHERWISE SPECIFIED ALL DIMENSIONS ARE NOMINAL.
2. ALL SPECIFICATIONS ARE SUBJECT TO CHANGE WITHOUT NOTICE AT ANY TIME.
3. DIMENSIONS ARE IN INCHES [mm].

TITLE 8 Way Power Divider N Interface to 2.7 GHz Rated at 30 Watts	DWG NO FMDV1038A		CAGE CODE 3FKR5			
	CAD FILE 01/29/19	SHEET 1 OF 1	SCALE N/A	SIZE A	7361	