

**SMA Female 2x Frequency Multiplier with 18 GHz to 26 GHz Output and 10 dB Conversion Loss**

Fairview Microwave's FMDB1003 is a frequency multiplier with a multiplication factor of 2, also known as a frequency doubler. This frequency doubler covers a wide output frequency range of 18 GHz to 26 GHz. Typical performance of this frequency multiplier includes 10 dB conversion loss. The FMDB1003 frequency multiplier also provides 20 dB minimum fundamental isolation.

**Electrical Specifications** (TA= 25°C)

Description	Min	Typ	Max	Units
Input Frequency Range	9		13	GHz
Output Frequency Range	18		26	GHz
Impedance		50		Ohms
Input Power (CW)	+10		+13	dBm
Conversion Loss		10	13	dB

**Electrical Specification Notes:**

Values at 25°C, sea level.

Fundamental isolation referenced to input signal.

**Mechanical Specifications**

**Size**

Length 1.55 in [39.37 mm]  
 Width 0.31 in [7.87 mm]  
 Height 0.59 in [14.99 mm]  
 Weight 1 lbs [453.59 g]

Body Material and Plating Passivated Stainless Steel  
 Package Type Connectorized  
 Output Connector SMA Female

**Environmental Specifications**

**Temperature**

Operating Range -55 to +125 deg C  
 Storage Range -65 to +150 deg C

**Compliance Certifications** (see [product page](#) for current document)

**Plotted and Other Data**

Notes:



**Features:**

- x2 Frequency Multiplier
- Wide Frequency Band
- Low Conversion Loss

**Applications:**

- Electronic Warfare
- Point-to-Point Radio
- Point-to-Multipoint Radio
- VSAT Radios
- Space Systems
- Test Instrumentation
- Telecommunications

Fairview Microwave  
 301 Leora Ln., Suite 100  
 Lewisville, TX 75056  
 Tel: 1-800-715-4396 / (972) 649-6678  
 Fax: (972) 649-6689  
[www.fairviewmicrowave.com](http://www.fairviewmicrowave.com)  
[sales@fairviewmicrowave.com](mailto:sales@fairviewmicrowave.com)

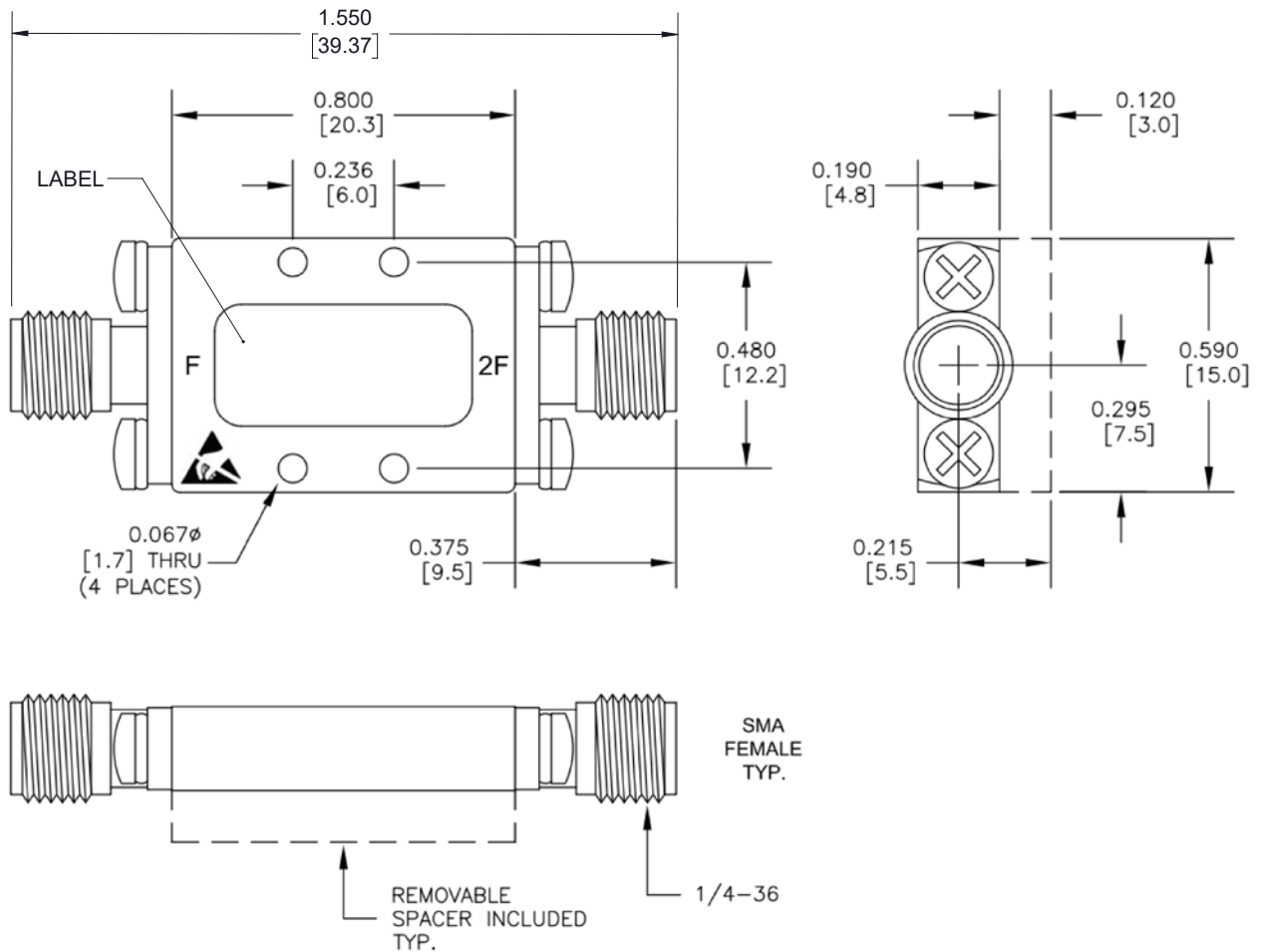
SMA Female 2x Frequency Multiplier with 18 GHz to 26 GHz Output and 10 dB Conversion Loss from Fairview Microwave is in-stock and available to ship same-day. All of our RF/microwave products are available off-the-shelf from our ISO 9001:2008 certified facilities in Allen, Texas. Fairview Microwave is RF on-demand.

For additional information on this product, please click the following link: [SMA Female 2x Frequency Multiplier with 18 GHz to 26 GHz Output and 10 dB Conversion Loss FMDB1003](#)

URL: <https://www.fairviewmicrowave.com/sma-2x-frequency-multiplier-26-ghz-10-db-fmdb1003-p.aspx>

The information contained in this document is accurate to the best of our knowledge and representative of the part described herein. It may be necessary to make modifications to the part and/or the documentation of the part, in order to implement improvements. Fairview Microwave reserves the right to make such changes as required. Unless otherwise stated, all specifications are nominal. Fairview Microwave does not make any representation or warranty regarding the suitability of the part described herein for any particular purpose, and Fairview Microwave does not assume any liability arising out of the use of any part or documentation.





LABEL



**STANDARD TOLERANCES**

.X ±0.2  
 .XX ±0.01  
 .XXX ±0.005

\*STANDARD TOLERANCES APPLY ONLY TO DIMENSIONS IN INCHES



NOTES:  
 1. UNLESS OTHERWISE SPECIFIED ALL DIMENSIONS ARE NOMINAL.  
 2. ALL SPECIFICATIONS ARE SUBJECT TO CHANGE WITHOUT NOTICE AT ANY TIME.  
 3. DIMENSIONS ARE IN INCHES [mm].

TITLE SMA Female 2x Frequency Multiplier with 18 GHz to 26 GHz Output and 10 dB Conversion Loss	DWG NO FMDB1003		CAGE CODE 3FKR5			
	CAD FILE 05/24/18	SHEET 1 OF 1	SCALE N/A	SIZE A	7361	