

SMA Female 2x Frequency Multiplier with 4 GHz to 12 GHz Output and 11 dB Conversion Loss

Fairview Microwave's FMDB1001 is a frequency multiplier with a multiplication factor of 2, also known as a frequency doubler. This frequency doubler covers a wide output frequency range of 4 GHz to 12 GHz. Typical performance of this frequency multiplier includes 11 dB conversion loss. The FMDB1001 frequency multiplier also provides 25 dB minimum fundamental isolation.

Electrical Specifications (TA= 25°C)

Description	Min	Typ	Max	Units
Input Frequency Range	2		6	GHz
Output Frequency Range	4		12	GHz
Impedance		50		Ohms
Input Power (CW)	+10		+13	dBm
Conversion Loss		11		dB

Electrical Specification Notes:

Values at 25°C, sea level.

Fundamental isolation referenced to input signal.

Mechanical Specifications

Size

Length 1.55 in [39.37 mm]
 Width 0.31 in [7.87 mm]
 Height 0.59 in [14.99 mm]
 Weight 1 lbs [453.59 g]

Body Material and Plating Passivated Stainless Steel
 Package Type Connectorized
 Output Connector SMA Female

Environmental Specifications

Temperature

Operating Range -55 to +125 deg C
 Storage Range -65 to +150 deg C

Compliance Certifications (see [product page](#) for current document)

Plotted and Other Data

Notes:



Features:

- x2 Frequency Multiplier
- Wide Frequency Band
- Low Conversion Loss

Applications:

- Electronic Warfare
- Point-to-Point Radio
- Point-to-Multipoint Radio
- VSAT Radios
- Space Systems
- Test Instrumentation
- Telecommunications

Fairview Microwave
 301 Leora Ln., Suite 100
 Lewisville, TX 75056
 Tel: 1-800-715-4396 / (972) 649-6678
 Fax: (972) 649-6689
www.fairviewmicrowave.com
sales@fairviewmicrowave.com

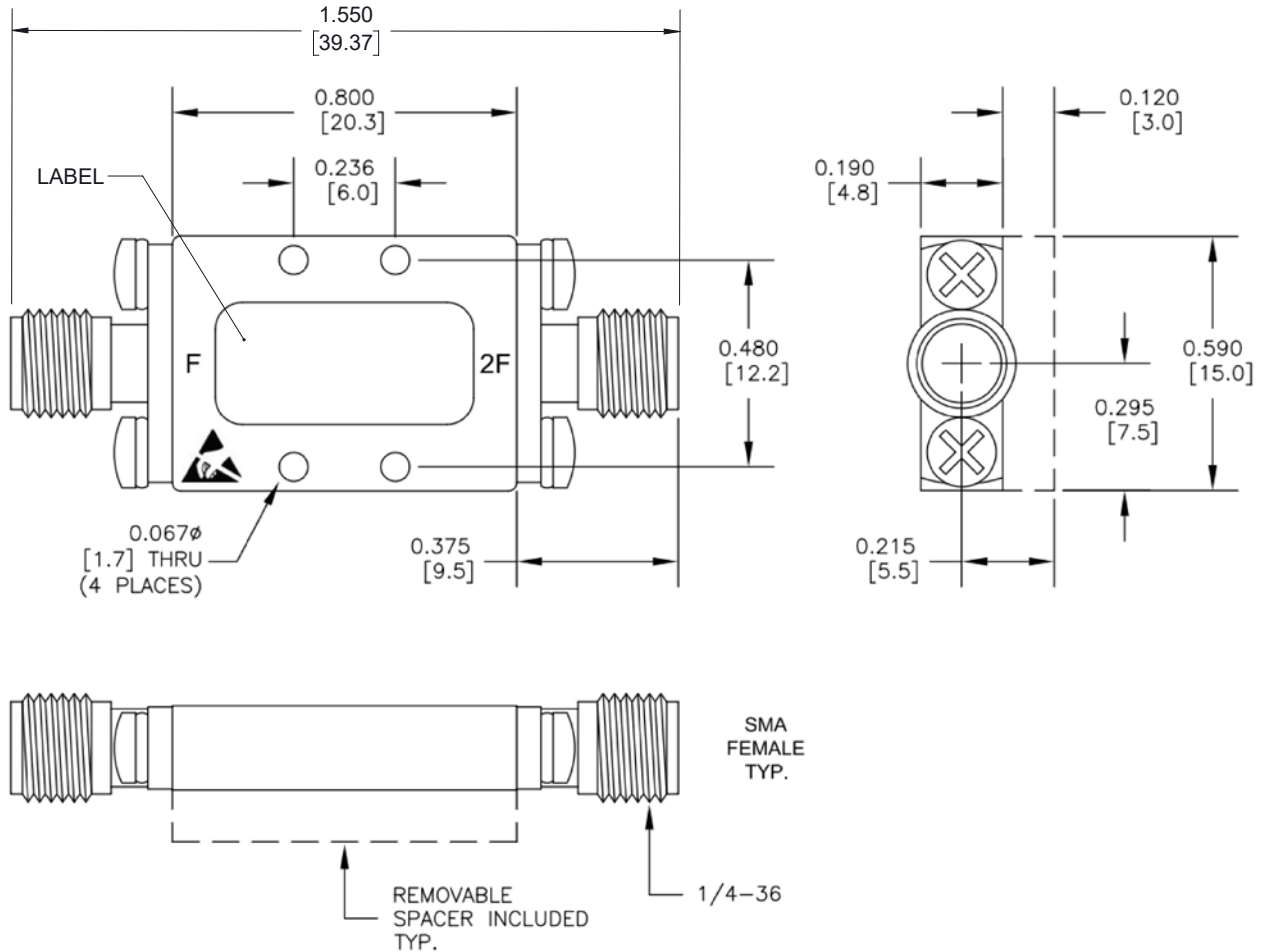
SMA Female 2x Frequency Multiplier with 4 GHz to 12 GHz Output and 11 dB Conversion Loss from Fairview Microwave is in-stock and available to ship same-day. All of our RF/microwave products are available off-the-shelf from our ISO 9001:2008 certified facilities in Allen, Texas. Fairview Microwave is RF on-demand.

For additional information on this product, please click the following link: [SMA Female 2x Frequency Multiplier with 4 GHz to 12 GHz Output and 11 dB Conversion Loss FMDB1001](#)

URL: <https://www.fairviewmicrowave.com/sma-2x-frequency-multiplier-12-ghz-11-db-fmdb1001-p.aspx>

The information contained in this document is accurate to the best of our knowledge and representative of the part described herein. It may be necessary to make modifications to the part and/or the documentation of the part, in order to implement improvements. Fairview Microwave reserves the right to make such changes as required. Unless otherwise stated, all specifications are nominal. Fairview Microwave does not make any representation or warranty regarding the suitability of the part described herein for any particular purpose, and Fairview Microwave does not assume any liability arising out of the use of any part or documentation.





LABEL



STANDARD TOLERANCES

- .X ±0.2
- .XX ±0.01
- .XXX ±0.005

*STANDARD TOLERANCES APPLY ONLY TO DIMENSIONS IN INCHES



NOTES:
 1. UNLESS OTHERWISE SPECIFIED ALL DIMENSIONS ARE NOMINAL.
 2. ALL SPECIFICATIONS ARE SUBJECT TO CHANGE WITHOUT NOTICE AT ANY TIME.
 3. DIMENSIONS ARE IN INCHES [mm].

TITLE SMA Female 2x Frequency Multiplier with 4 GHz to 12 GHz Output and 11 dB Conversion Loss	DWG NO FMDB1001		CAGE CODE 3FKR5			
	CAD FILE 05/24/18	SHEET 1 OF 1	SCALE N/A	SIZE A	7361	