

BMMA Female (Jack) Bulkhead Connector Solder Attachment for FM-SR086CU, FM-SR086CUTN, FM-SR086ALTN, FM-SR086TB, FM-SR086TBJ, 0.085 Cable



**FMCN5134**

**Configuration**

- BMMA Female Connector
- 50 Ohms
- Straight Body Geometry
- Connector Interface Types: FM-SR086CU, FM-SR086CUTN, FM-SR086ALTN, FM-SR086TB, FM-SR086TBJ, FM-F086, 0.085 Cable, RG405
- Bulkhead

**Features**

- Operating Frequency of 22 GHz Max.
- Good VSWR of 1.35:1
- Gold Plated Beryllium Copper Contact

**Applications**

- General Purpose Test
- Rack and Panel Mount Applications
- Custom Cable Assemblies

**Description**

BMMA Female Bulkhead Standard Bulkhead Connector Solder Attachment for FM-SR086CU, FM-SR086CUTN, FM-SR086ALTN, FM-SR086TB, FM-SR086TBJ, FM-F086, 0.085 Cable and RG405 Cable, part number FMCN5134, from Fairview Microwave is in-stock and ships same day. This BMMA female connector operates up to a maximum frequency of 22 GHz and offers good VSWR of 1.35:1. Fairview's FMCN5134 bulkhead BMMA connector enables designers to make external connections on product enclosures, and can be used in a variety of other rack mount and panel mount applications.

Fairview's BMMA female bulkhead connector FMCN5134 datasheet specifications and outline drawing are shown in this PDF below. Our extensive offering of RF, microwave and millimeter wave connectors allows designers to configure and customize their signal connections however they like. From providing an I/O for a board design to creating a custom cable assembly configuration, Fairview Microwave has a connector solution to meet your needs. Fairview Microwave also has the expertise to build your custom cable assemblies for you and ship them same-day.

**Electrical Specifications**

Description	Minimum	Typical	Maximum	Units
Frequency Range	DC		22	GHz
VSWR			1.35:1	
Insertion Loss			0.469	dB
Impedance		50		Ohms

**Mechanical Specifications**

**Size**

- Length 0.709 in [18.01 mm]
- Width 0.402 in [10.21 mm]
- Height 0.402 in [10.21 mm]
- Weight 0.007 lbs [3.18 g]
- Mating Cycles 500 Cycles

BMMA Female (Jack) Bulkhead Connector Solder Attachment for FM-SR086CU, FM-SR086CUTN, FM-SR086ALTN, FM-SR086TB, FM-SR086TBJ, 0.085 Cable



## FMCN5134

### Material Specifications

Description	Material	Plating
Contact	Beryllium Copper	Gold
Insulation	PTFE	
Outer Conductor	Stainless Steel	Gold
Body	Stainless Steel	Gold

### Environmental Specifications

#### Temperature

Operating Range -65 to +165 deg C

**Compliance Certifications** (see [product page](#) for current document)

### Plotted and Other Data

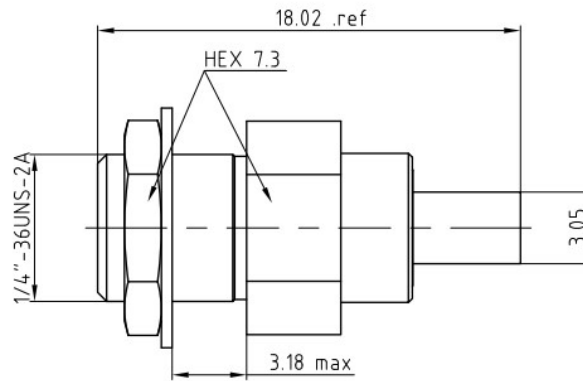
Notes:

BMMA Female (Jack) Bulkhead Connector Solder Attachment for FM-SR086CU, FM-SR086CUTN, FM-SR086ALTN, FM-SR086TB, FM-SR086TBJ, 0.085 Cable

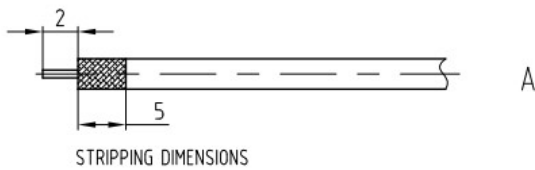


**FMCN5134**

**Assembly Instruction**

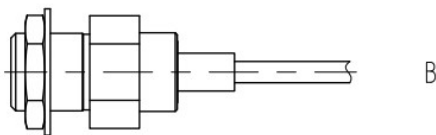


**ASSEMBLY PROCEDURES**



1. STRIP CABLE AS SHOWN IN (A). DO NOT NICK INNER CONDUCTOR.

2. PRE-TIN CABLE JACKET TO APPROXIMATE DIMENSION AS SHOWN IN (A).



3. INSERT CABLE THRU ADAPTER UNTIL IT BOTTOMS. SOLDER

BMMA Female (Jack) Bulkhead Connector Solder Attachment for FM-SR086CU, FM-SR086CUTN, FM-SR086ALTN, FM-SR086TB, FM-SR086TBJ, 0.085 Cable



**FMCN5134**

BMMA Female (Jack) Bulkhead Connector Solder Attachment for FM-SR086CU, FM-SR086CUTN, FM-SR086ALTN, FM-SR086TB, FM-SR086TBJ, 0.085 Cable from Fairview Microwave is in-stock and available to ship same-day. All of our RF/microwave products are available off-the-shelf from our ISO 9001:2008 certified facilities in Lewisville, Texas. Fairview Microwave is RF on-demand.

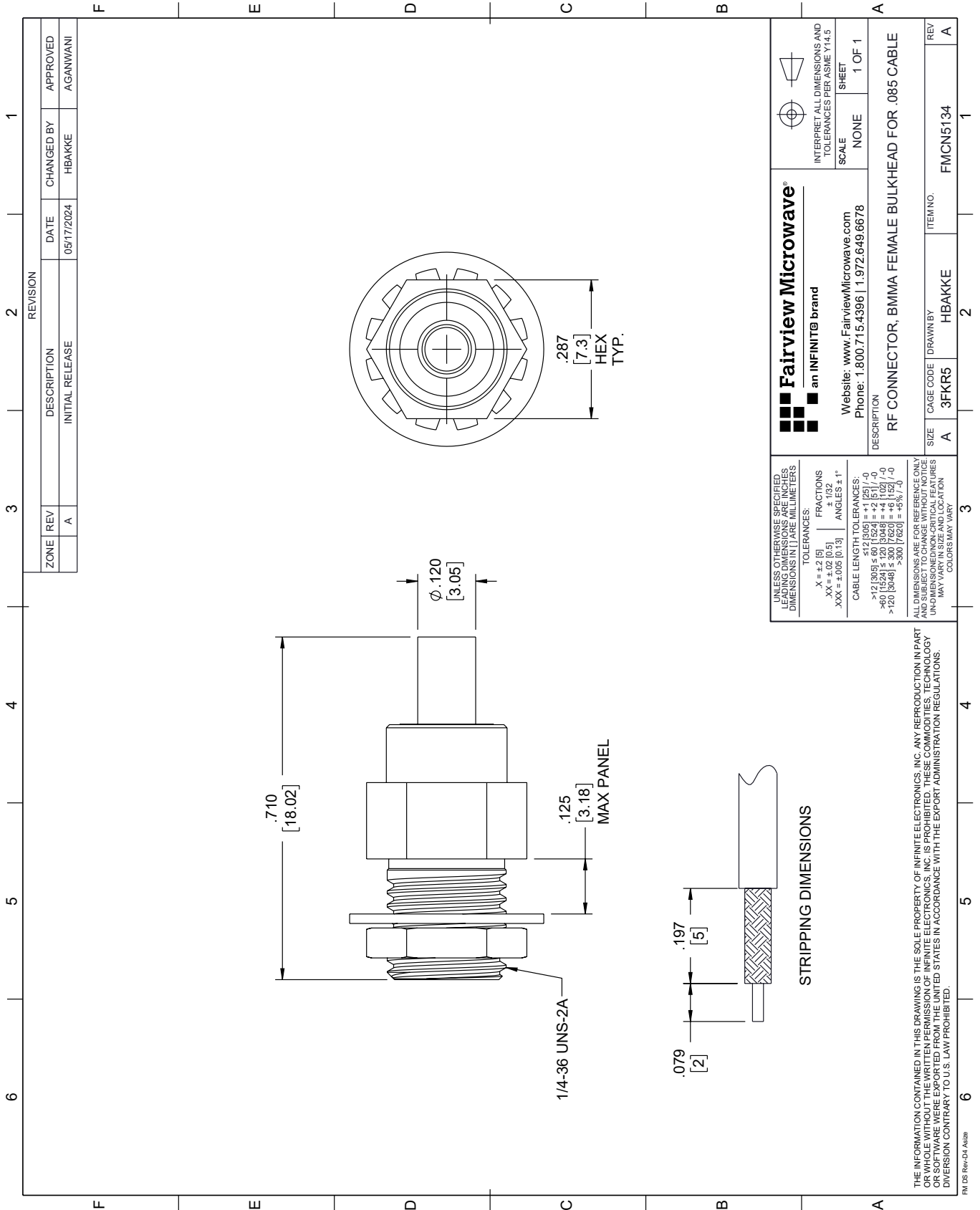
For additional information on this product, please click the following link: [BMMA Female \(Jack\) Bulkhead Connector Solder Attachment for FM-SR086CU, FM-SR086CUTN, FM-SR086ALTN, FM-SR086TB, FM-SR086TBJ, 0.085 Cable FMCN5134](#)

URL: <https://www.fairviewmicrowave.com/bmma-female-0.85-cable-connector-fmcn5134-p.aspx>

The information contained within this document is accurate to the best of our knowledge and representative of the part described herein. It may be necessary to make modifications to the part and/or the documentation of the part in order to implement improvements. Fairview Microwave reserves the right to make such changes as required. Unless otherwise stated, all specifications are nominal. Fairview Microwave does not make any representation or warranty regarding the suitability of the part described herein for any particular purpose, and Fairview Microwave does not assume liability arising out of the use of any part or document.

# FMCN5134 CAD Drawing

BMMA Female (Jack) Bulkhead Connector Solder Attachment for FM-SR086CU, FM-SR086CUTN, FM-SR086ALTN, FM-SR086TB, FM-SR086TBJ, 0.085 Cable



REVISION		DATE	CHANGED BY	APPROVED
ZONE	REV	DESCRIPTION		
	A	INITIAL RELEASE	HBAKKE	AGANWANI

**Fairview Microwave®**  
an INFINIT® brand

Website: [www.FairviewMicrowave.com](http://www.FairviewMicrowave.com)  
Phone: 1.800.715.4396 | 1.972.649.6678

UNLESS OTHERWISE SPECIFIED, LEADING DIMENSIONS ARE IN INCHES. DIMENSIONS IN [ ] ARE MILLIMETERS.

TOLERANCES:  
 .X = ±.2 [5]      FRACTIONS ± 1/32  
 .XX = ±.02 [0.5]      ANGLES ± 1°  
 .XXX = ±.005 [0.13]

CABLE LENGTH TOLERANCES:  
 >12 [305] ≤ 60 [1524] = +1 [25] / -0  
 >60 [1524] ≤ 120 [3048] = +4 [102] / -0  
 >120 [3048] ≤ 300 [7620] = +5% / -0

ALL DIMENSIONS ARE FOR REFERENCE ONLY. UNDIMENSIONED NON-CRITICAL FEATURES MAY VARY IN SIZE AND LOCATION. COLORS MAY VARY.

INTERPRET ALL DIMENSIONS AND TOLERANCES PER ASME Y14.5

SCALE: NONE      SHEET: 1 OF 1

DESCRIPTION: RF CONNECTOR, BMMA FEMALE BULKHEAD FOR .085 CABLE

SIZE	CAGE CODE	DRAWN BY	ITEM NO.	REV
A	3FKR5	HBAKKE	FMCN5134	A

THE INFORMATION CONTAINED IN THIS DRAWING IS THE SOLE PROPERTY OF INFINITE ELECTRONICS, INC. ANY REPRODUCTION IN PART OR WHOLE WITHOUT THE WRITTEN PERMISSION OF INFINITE ELECTRONICS, INC. IS PROHIBITED. THESE COMMODITIES, TECHNOLOGY OR SOFTWARE WERE EXPORTED FROM THE UNITED STATES IN ACCORDANCE WITH THE EXPORT ADMINISTRATION REGULATIONS. DIVISION CONTRARY TO U.S. LAW PROHIBITED.

FM DS Rev-D4 Alt2