

SMPS Female VITA 67.3 Connector Solder Attachment for FM-F047, FM-F047HF, FM-F047LL, FM-F047FLX

Fairview Microwave's FMCN49829 SMPS female VITA 67.3 connector with solder attachment for FM-F086, FM-F086HF, FM-F086LL, and FM-F086FLX is part of our full line of RF components available for same-day shipping. Our SMPS female VITA 67.3 connector operates up to a maximum frequency of 40 GHz and offers excellent VSWR of 1.4:1. The Fairview Microwave blind mate connector is ideal for applications where direct visual or tactile access to the connection point is not possible, for example, when two circuit boards need to be mated.

Our SMPS female VITA 67.3 connector FMCN49829 datasheet specifications and drawing with dimensions are shown below in this PDF. Fairview Microwave's broad catalog of RF, microwave and millimeter wave connectors allows designers to configure and customize their signal connections however they like. Whether the need is to provide an I/O for a board design, or simply create a custom cable assembly configuration, Fairview Microwave has the right connector for the job. Fairview Microwave can also expertly build your custom cable assemblies for you and ship same-day.



Configuration:

- SMPS Female Connector
- 50 Ohms
- Straight Body Geometry
- FM-F047, FM-F047HF, FM-F047LL, FM-F047FLX Interface Type
- Solder Attachment
- VITA 67.3 Design

Electrical Specifications

Description	Min	Typ	Max	Units
Frequency Range	DC		40	GHz
VSWR			1.4:1	

Mechanical Specifications

Size	
Length	0.6 in [15.24 mm]
Width/Dia.	0.13 in [3.30 mm]
Height	0.13 in [3.3 mm]
Weight	0.0009 lbs [0.41 g]

Material Specifications

Description	Material	Plating
Contact	Beryllium Copper	Gold
Insulation	PTFE	
Outer Conductor	Beryllium Copper	Gold
Body	Passivated Stainless Steel	

Mechanical Specification Notes:
500 mating cycles when mated with a Smooth Bore connector (100 when mated to a Full Detent connector).

Environmental Specifications

Temperature	
Operating Range	-65 to +165 deg C
Humidity	MIL-STD-202, Method 106, Less Step 7B
Shock	MIL-STD-202, Method 213, Condition I

Features:

- Operating Frequency of 40 GHz Max.
- Good VSWR of 1.4:1
- Gold Plated Beryllium Copper Contact

Applications:

- General Purpose Test
- Custom Cable Assemblies
- VITA 67.3 Backplane
- High Density Applications

Fairview Microwave
301 Leora Ln., Suite 100
Lewisville, TX 75056
Tel: 1-800-715-4396 / (972) 649-6678
Fax: (972) 649-6689
www.fairviewmicrowave.com
sales@fairviewmicrowave.com

Vibration
Thermal Shock

MIL-STD-202, Method 204, Condition D
MIL-STD-202, Method 107, Condition B

Compliance Certifications (see [product page](#) for current document)

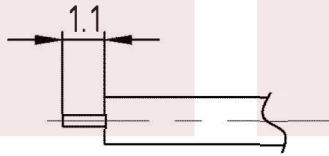
Plotted and Other Data

Notes:

- FMCN49829 works with FMCN49831 SMPS VITA 67.3 12 Port Backplane Module D and FMCN49833 SMPS VITA 67.3 14 Port Backplane Module C

Assembly Instruction

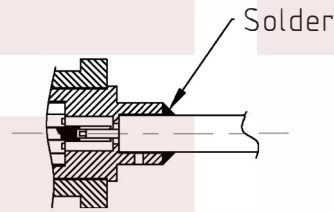
Cable Assembly Instructions



Trim insulator and outer conductor to dimensions shown.
Be careful not to nick the center conductor.

NOTE:

To minimize cable dielectric growth during soldering operation,
normalize cable thermal cycle per MIL-DTL-17 prior to final trim.



Insert cable into body, until outer conductor flush with body.
Solder outer conductor to body.

NOTE:

For FMCN49817, FMCN49819 and FMCN49829

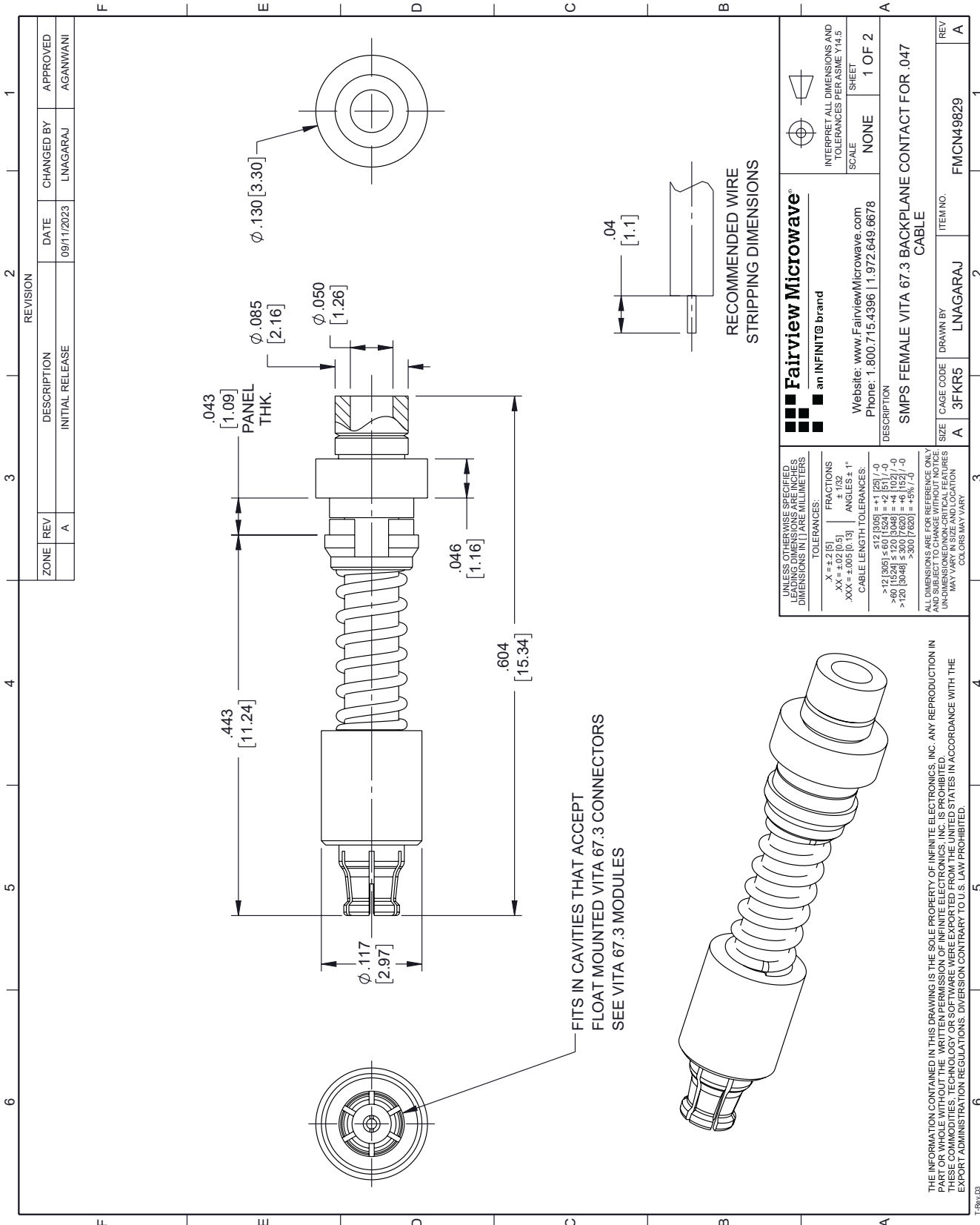
SMPS Female VITA 67.3 Connector Solder Attachment for FM-F047, FM-F047HF, FM-F047LL, FM-F047FLX from Fairview Microwave is in-stock and available to ship same-day. All of our RF/microwave products are available off-the-shelf from our ISO 9001:2008 certified facilities in Lewisville, Texas. Fairview Microwave is RF on-demand.

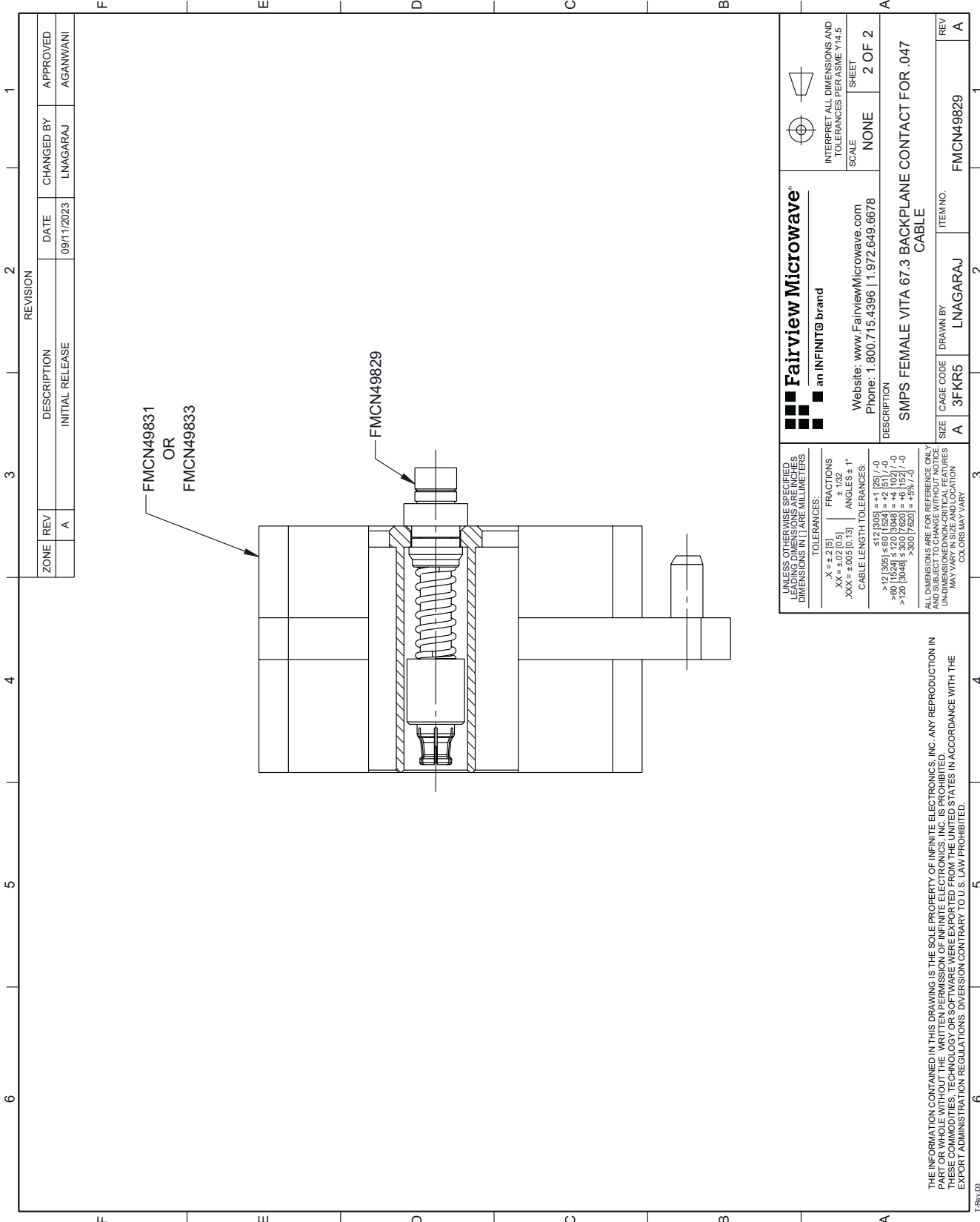
For additional information on this product, please click the following link: [SMPS Female VITA 67.3 Connector Solder Attachment for FM-F047, FM-F047HF, FM-F047LL, FM-F047FLX FMCN49829](#)

URL: <https://www.fairviewmicrowave.com/smps-female-fm-f047-fm-f047hf-fm-f047ll-fm-f047flx-connector-fmcn49829-p.aspx>

The information contained in this document is accurate to the best of our knowledge and representative of the part described herein. It may be necessary to make modifications to the part and/or the documentation of the part, in order to implement improvements. Fairview Microwave reserves the right to make such changes as required. Unless otherwise stated, all specifications are nominal. Fairview Microwave does not make any representation or warranty regarding the suitability of the part described herein for any particular purpose, and Fairview Microwave does not assume any liability arising out of the use of any part or documentation.







REVISION		DATE	CHANGED BY	APPROVED
ZONE	REV	DESCRIPTION		
	A	INITIAL RELEASE	LNAGARAJ	AGANWANI
			09/11/2023	

<p>Fairview Microwave[®] an INFINIT[®] brand</p>		<p>INTERPRET ALL DIMENSIONS AND TOLERANCES PER ASME Y14.5</p>	
<p>Website: www.FairviewMicrowave.com Phone: 1.800.715.4396 1.972.649.6678</p>		SCALE	SHEET
DESCRIPTION		NONE	2 OF 2
SMPS FEMALE VITA 67.3 BACKPLANE CONTACT FOR .047 CABLE			
SIZE	CAGE CODE	DRAWN BY	ITEM NO.
A	3FKR5	LNAGARAJ	FMCN49829
UNLESS OTHERWISE SPECIFIED, LEADING DIMENSIONS ARE IN INCHES DIMENSIONS IN [] ARE MILLIMETERS		ALL DIMENSIONS ARE FOR REFERENCE ONLY AND SUBJECT TO CHANGE WITHOUT NOTICE. UN-DIMENSIONED CRITICAL FEATURES MAY VARY. COLORS MAY VARY.	
TOLERANCES:		FRACTIONS	
.X = ±.2 [5]		.XX = ±.02 [0.5]	
.XXX = ±.005 [0.13]		ANGLES ± 1°	
CABLE LENGTH TOLERANCES:		± .132	
>12 [305] ≤ 60 [1524]		± .125 / -0	
>6 [152] ≤ 30 [762]		± .05 / -0	
>120 [3048] ≤ 300 [7620]		± .152 / -0	
>300 [7620]		± .5% / -0	