

VITA 67.3 Full Detent Mini SMP (SMPM) Male to Smooth Bore Mini SMP (SMPM) Male Adapter



FMCN49818

Configuration

- Full Detent Mini SMP Male Connector 1
- Smooth Bore Mini SMP Male Connector 2
- 50 Ohm
- VITA 67 Design
- Straight Body Geometry

Features

- VSWR of 1.35:1 max up to 40 GHz
- Gold Plated Beryllium Copper Contact

Applications

- General Purpose Test
- Allows Connection In Series

Description

Fairview Microwave's FMCN49818 precision Mini SMP male to Mini SMP male VITA 67.3 plug-in adapter is part of our full line of RF components available for same-day shipping. Our Mini SMP male to Mini SMP male adapter has a male to male gender configuration built of durable stainless steel in a precision design. FMCN49818 Mini SMP male to Mini SMP male adapter operates to 40 GHz. The Fairview Microwave RF adapter provides excellent VSWR of 1.35 maximum.

RF adapters are often used to enable connections between two connector types that would otherwise not mate. Certain adapter configurations can also be used to protect connectors on expensive equipment where the number of connect/disconnect cycles is high. An RF, microwave or millimeter wave adapter is connected to the equipment, and the commonly changed connection is made with the adapter which can be easily replaced when it wears out after high usage; such adapters are referred to as connector savers. Fairview Microwave also offers bulkhead, panel mount, hermetically sealed, reverse polarity, and isolated ground adapter varieties to serve all of your RF, microwave and millimeter wave needs.

Electrical Specifications

Description	Minimum	Typical	Maximum	Units
Frequency Range	DC		40	GHz
Impedance		50 Ohm		
VSWR			1.35:1	

Mechanical Specifications

Size

Length	0.37 in [9.40 mm]
Width	0.20 in [5.08 mm]
Height	0.20 in [5.08 mm]
Weight	0.00 lbs [0.73 g]

Description	Connector 1	Connector 2
Type	Mini SMP Male	Mini SMP Male
Polarity	Standard	Standard
Mating Cycles, Min	100	500

VITA 67.3 Full Detent Mini SMP (SMPM) Male to Smooth Bore Mini SMP (SMPM) Male Adapter



FMCN49818

Material Specifications

Description	Connector 1		Connector 2	
	Material	Plating	Material	Plating
Type	Full Detent Mini SMP Male		Smooth Bore Mini SMP Male	
Contact	Beryllium Copper	Gold	Beryllium Copper	Gold
Insulation	PTFE		PTFE	
Outer Conductor	Passivated Stainless Steel		Passivated Stainless Steel	
Body	Passivated Stainless Steel		Passivated Stainless Steel	

Environmental Specifications

Temperature

Operating Range	-65 to 165 °C
Humidity	MIL-STD-202, Method 106, Less Step 7B
Shock	MIL-STD-202, Method 213, Condition I
Vibration	MIL-STD-202, Method 204, Condition D
Thermal Shock	MIL-STD-202, Method 107, Condition B

Compliance Certifications (see [product page](#) for current document)

Plotted and Other Data

Notes:

FMCN49818 works with FMCN49823 Mini SMP VITA 67.3 10 Port Plug-In Module C and FMCN49825 Mini SMP VITA 67.3 14 Port Plug-In Module C

VITA 67.3 Full Detent Mini SMP (SMPM) Male to Smooth Bore Mini SMP (SMPM) Male Adapter from Fairview Microwave is in-stock and available to ship same-day. All of our RF/microwave products are available off-the-shelf from our ISO 9001:2008 certified facilities in Lewisville, Texas. Fairview Microwave is RF on-demand.

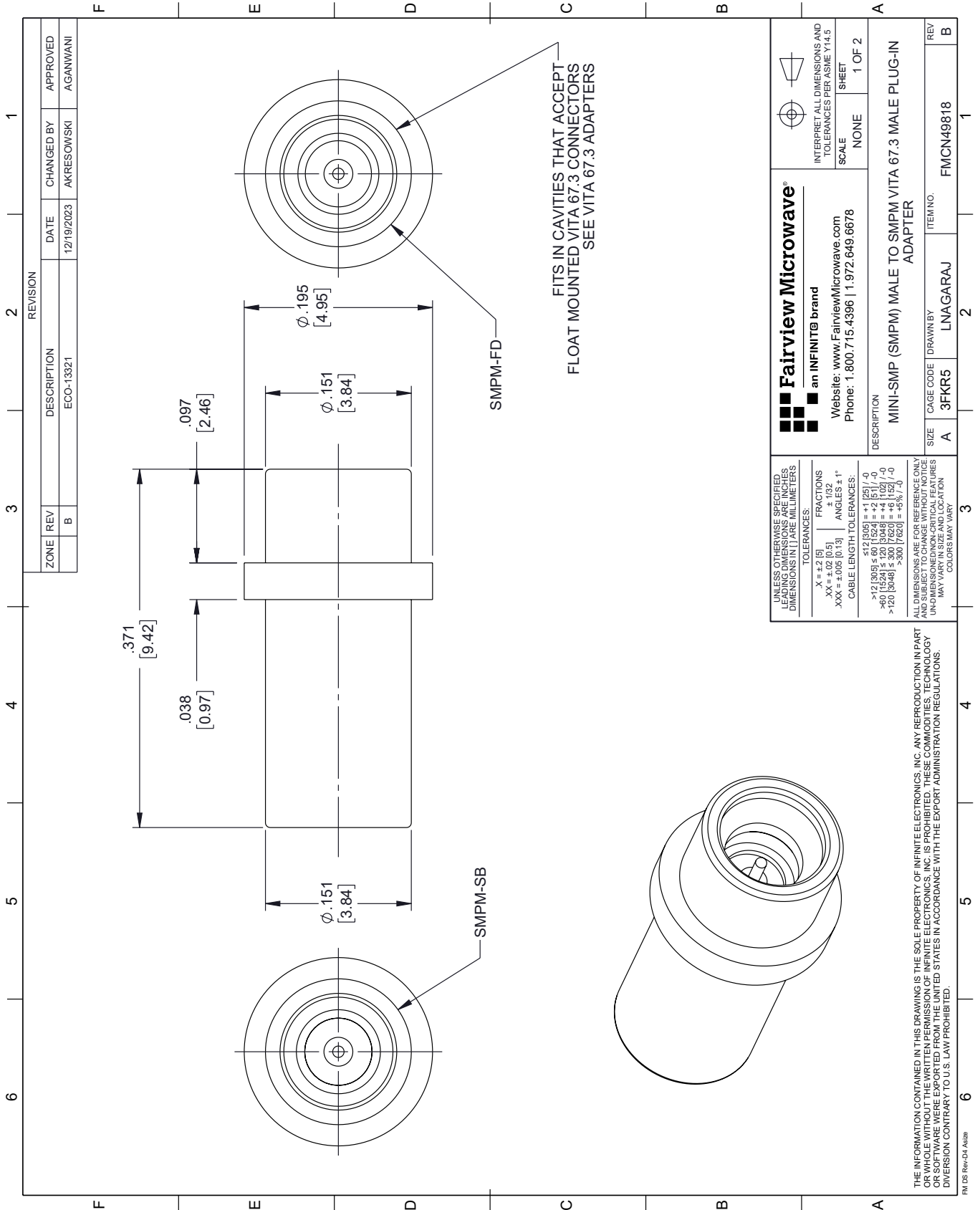
For additional information on this product, please click the following link: [VITA 67.3 Full Detent Mini SMP \(SMPM\) Male to Smooth Bore Mini SMP \(SMPM\) Male Adapter FMCN49818](#)

URL: <https://www.fairviewmicrowave.com/vita-67.3-full-detent-mini-smp-male-to-smooth-bore-mini-smp-male-adapter-fmcn49818-p.aspx>

The information contained within this document is accurate to the best of our knowledge and representative of the part described herein. It may be necessary to make modifications to the part and/or the documentation of the part in order to implement improvements. Fairview Microwave reserves the right to make such changes as required. Unless otherwise stated, all specifications are nominal. Fairview Microwave does not make any representation or warranty regarding the suitability of the part described herein for any particular purpose, and Fairview Microwave does not assume liability arising out of the use of any part or document.

FMCN49818 CAD Drawing

VITA 67.3 Full Detent Mini SMP (SMPM) Male to Smooth Bore Mini SMP (SMPM) Male Adapter



REVISION		DATE	CHANGED BY	APPROVED	
ZONE	REV	DESCRIPTION	ECO-13321	AKRESOWSKI	AGANWANI
	B				

<p>Fairview Microwave an INFINITI[®] brand</p> <p>Website: www.FairviewMicrowave.com Phone: 1.800.715.4396 1.972.649.6678</p>	<p>INTERPRET ALL DIMENSIONS AND TOLERANCES PER ASME Y14.5</p>
	<p>SCALE: NONE</p> <p>SHEET: 1 OF 2</p>
<p>DESCRIPTION: MINI-SMP (SMPM) MALE TO SMPM VITA 67.3 MALE PLUG-IN ADAPTER</p>	
<p>SIZE: A</p> <p>CAGE CODE: 3FKR5</p> <p>DRAWN BY: LNAGARAJ</p>	<p>ITEM NO.: FMCN49818</p>

UNLESS OTHERWISE SPECIFIED, LEADING DIMENSIONS ARE IN INCHES. DIMENSIONS IN [] ARE MILLIMETERS.

TOLERANCES:

.X = ±.2 [5] FRACTIONS ±.132

.XX = ±.02 [0.5] ANGLES ± 1°

.XXX = ±.005 [0.13] CABLE LENGTH TOLERANCES:

>12 [305] ≤ 60 [1524] = +.2 [5] / -0

>60 [1524] ≤ 120 [3048] = +.4 [102] / -0

>120 [3048] ≤ 300 [7620] = +.6 [15] / -0

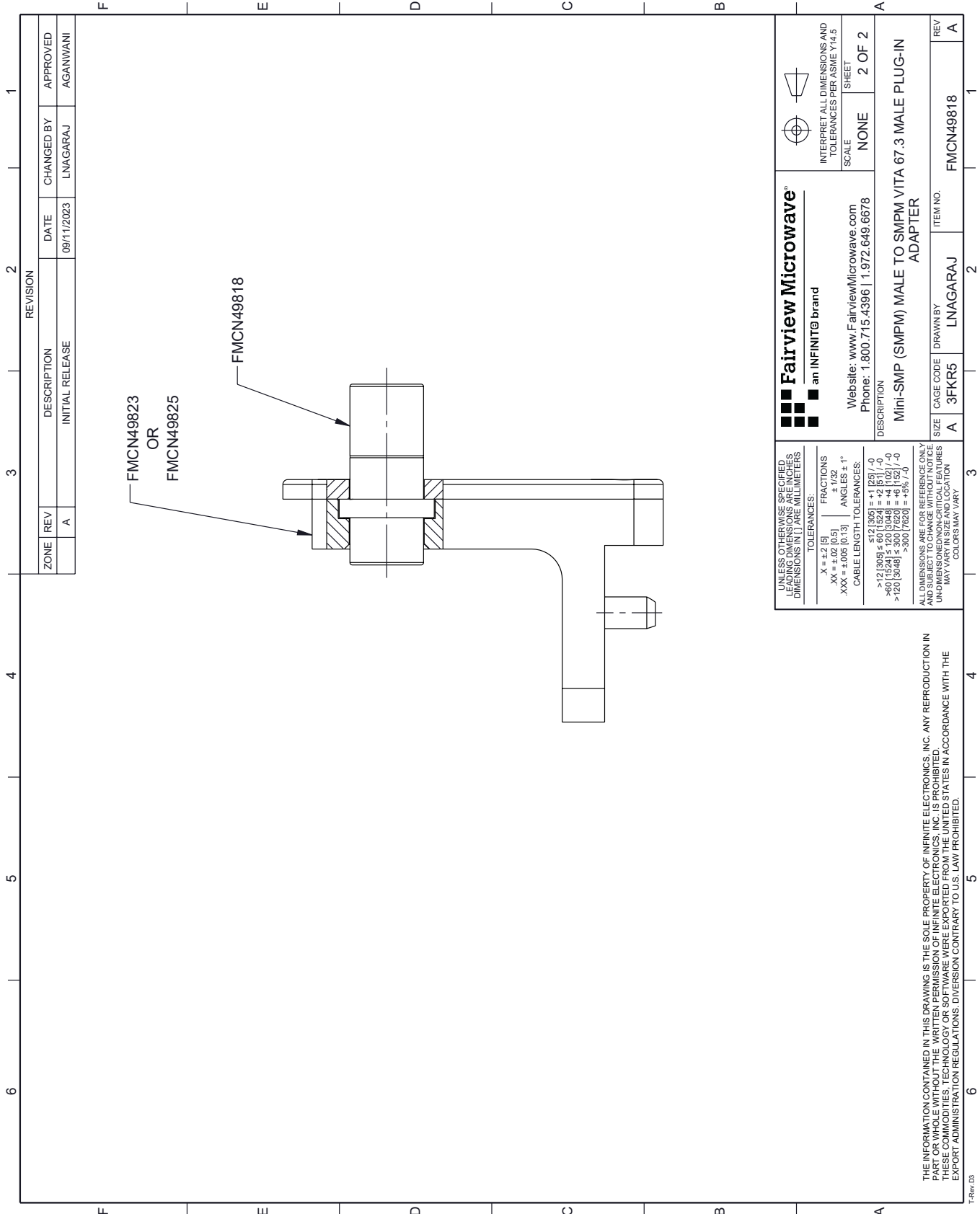
ALL DIMENSIONS ARE FOR REFERENCE ONLY. UNDIMENSIONED NON-CRITICAL FEATURES MAY VARY IN SIZE AND LOCATION. COLORS MAY VARY.

THE INFORMATION CONTAINED IN THIS DRAWING IS THE SOLE PROPERTY OF INFINITE ELECTRONICS, INC. ANY REPRODUCTION IN PART OR WHOLE WITHOUT THE WRITTEN PERMISSION OF INFINITE ELECTRONICS, INC. IS PROHIBITED. THESE COMMODITIES, TECHNOLOGY OR SOFTWARE WERE EXPORTED FROM THE UNITED STATES IN ACCORDANCE WITH THE EXPORT ADMINISTRATION REGULATIONS. DIVISION CONTRARY TO U.S. LAWS PROHIBITED.

PM DS Rev-D4 Alt2

FMCN49818 CAD Drawing

VITA 67.3 Full Detent Mini SMP (SMPM) Male to Smooth Bore Mini SMP (SMPM) Male Adapter



REVISION			
ZONE	REV	DESCRIPTION	DATE
	A	INITIAL RELEASE	08/11/2023
			CHANGED BY
			LNAGARAJ
			APPROVED
			AGANWANI

<p>Fairview Microwave® an INFINIT® brand</p> <p>Website: www.FairviewMicrowave.com Phone: 1.800.715.4396 1.972.649.6678</p>	<p>INTERPRET ALL DIMENSIONS AND TOLERANCES PER ASME Y14.5</p>												
	<p>SCALE: NONE</p> <p>SHEET: 2 OF 2</p>												
<p>DESCRIPTION: Mini-SMP (SMPM) MALE TO SMPM VITA 67.3 MALE PLUG-IN ADAPTER</p>													
<p>UNLESS OTHERWISE SPECIFIED, LEADING DIMENSIONS ARE IN INCHES. DIMENSIONS IN [] ARE MILLIMETERS.</p> <p>TOLERANCES:</p> <table border="0"> <tr> <td>.X = ±.2 [5]</td> <td>FRACTIONS ± 1/32</td> </tr> <tr> <td>.XX = ±.02 [0.5]</td> <td>ANGLES ± 1°</td> </tr> <tr> <td>.XXX = ±.005 [0.13]</td> <td></td> </tr> </table> <p>CABLE LENGTH TOLERANCES:</p> <table border="0"> <tr> <td><12 [305]</td> <td>±.60 [15.24]</td> </tr> <tr> <td>>12 [305]</td> <td>±.12 [3.05]</td> </tr> <tr> <td>>120 [3048]</td> <td>±.30 [7.62]</td> </tr> </table>	.X = ±.2 [5]	FRACTIONS ± 1/32	.XX = ±.02 [0.5]	ANGLES ± 1°	.XXX = ±.005 [0.13]		<12 [305]	±.60 [15.24]	>12 [305]	±.12 [3.05]	>120 [3048]	±.30 [7.62]	<p>ITEM NO. FMCN49818</p> <p>REV A</p>
.X = ±.2 [5]	FRACTIONS ± 1/32												
.XX = ±.02 [0.5]	ANGLES ± 1°												
.XXX = ±.005 [0.13]													
<12 [305]	±.60 [15.24]												
>12 [305]	±.12 [3.05]												
>120 [3048]	±.30 [7.62]												
<p>ALL DIMENSIONS ARE FOR REFERENCE ONLY. UNDIMENSIONED NON-CRITICAL FEATURES MAY VARY IN SIZE AND LOCATION. COLORS MAY VARY.</p>	<p>SIZE A</p> <p>CAGE CODE 3FKR5</p> <p>DRAWN BY LNAGARAJ</p>												

THE INFORMATION CONTAINED IN THIS DRAWING IS THE SOLE PROPERTY OF INFINITE ELECTRONICS, INC. ANY REPRODUCTION IN PART OR WHOLE WITHOUT THE WRITTEN PERMISSION OF INFINITE ELECTRONICS, INC. IS PROHIBITED. THESE COMMODITIES, TECHNOLOGY OR SOFTWARE WERE EXPORTED FROM THE UNITED STATES IN ACCORDANCE WITH THE EXPORT ADMINISTRATION REGULATIONS. DIVERSION CONTRARY TO U.S. LAW PROHIBITED.

T-Rev_03