

Mini SMP (SMPM) Female VITA 67.3 Connector Solder Attachment for FM-F047, FM-F047HF, FM-F047LL, FM-F047FLX

Fairview Microwave's FMCN49817 Mini SMP female VITA 67.3 connector with solder attachment for FM-F086, FM-F086HF, FM-F086LL, and FM-F086FLX is part of our full line of RF components available for same-day shipping. Our Mini SMP female VITA 67.3 connector operates up to a maximum frequency of 40 GHz and offers excellent VSWR of 1.4:1. The Fairview Microwave blind mate connector is ideal for applications where direct visual or tactile access to the connection point is not possible, for example, when two circuit boards need to be mated.

Our Mini SMP female VITA 67.3 connector FMCN49817 datasheet specifications and drawing with dimensions are shown below in this PDF. Fairview Microwave's broad catalog of RF, microwave and millimeter wave connectors allows designers to configure and customize their signal connections however they like. Whether the need is to provide an I/O for a board design, or simply create a custom cable assembly configuration, Fairview Microwave has the right connector for the job. Fairview Microwave can also expertly build your custom cable assemblies for you and ship same-day.

Electrical Specifications

Description	Min	Typ	Max	Units
Frequency Range	DC		40	GHz
VSWR			1.4:1	
Insertion Loss			0.8	dB

Mechanical Specifications

Size	
Length	0.59 in [14.99 mm]
Width/Dia.	0.2 in [5.08 mm]
Height	0.2 in [5.08 mm]
Weight	0.0018 lbs [0.82 g]

Material Specifications

Description	Material	Plating
Contact	Beryllium Copper	Gold
Insulation	PTFE	
Outer Conductor	Beryllium Copper	Gold
Body	Passivated Stainless Steel	

Mechanical Specification Notes:
500 mating cycles when mated with a Smooth Bore connector (100 when mated to a Full Detent connector).

Environmental Specifications

Temperature	
Operating Range	-65 to +165 deg C
Humidity	MIL-STD-202, Method 106, Less Step 7B



Configuration:

- Mini SMP Female Connector
- 50 Ohms
- Straight Body Geometry
- FM-F047, FM-F047HF, FM-F047LL, FM-F047FLX Interface Type
- Solder Attachment
- VITA 67.3 Design

Features:

- Operating Frequency of 40 GHz Max.
- Good VSWR of 1.4:1
- Blind Mate Connector
- Gold Plated Beryllium Copper Contact

Applications:

- General Purpose Test
- Custom Cable Assemblies
- VITA 67.3 Backplane
- High Density Applications

Fairview Microwave
301 Leora Ln., Suite 100
Lewisville, TX 75056
Tel: 1-800-715-4396 / (972) 649-6678
Fax: (972) 649-6689
www.fairviewmicrowave.com
sales@fairviewmicrowave.com

Shock
Vibration
Thermal Shock

MIL-STD-202, Method 213, Condition I
MIL-STD-202, Method 204, Condition D
MIL-STD-202, Method 107, Condition B

Compliance Certifications (see [product page](#) for current document)

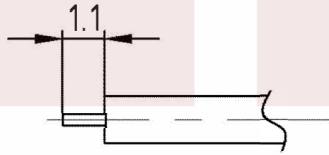
Plotted and Other Data

Notes:

- FMCN49817 works with FMCN49822 Mini SMP VITA 67.3 10 Port Backplane Module C and FMCN49824 Mini SMP VITA 67.3 14 Port Backplane Module C

Assembly Instruction

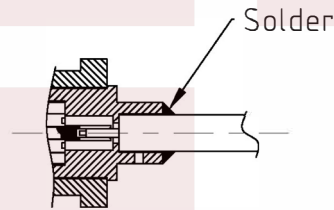
Cable Assembly Instructions



Trim insulator and outer conductor to dimensions shown.
Be careful not to nick the center conductor.

NOTE:

To minimize cable dielectric growth during soldering operation,
normalize cable thermal cycle per MIL-DTL-17 prior to final trim.



Insert cable into body, until outer conductor flush with body.
Solder outer conductor to body.

NOTE:

For FMCN49817, FMCN49819 and FMCN49829

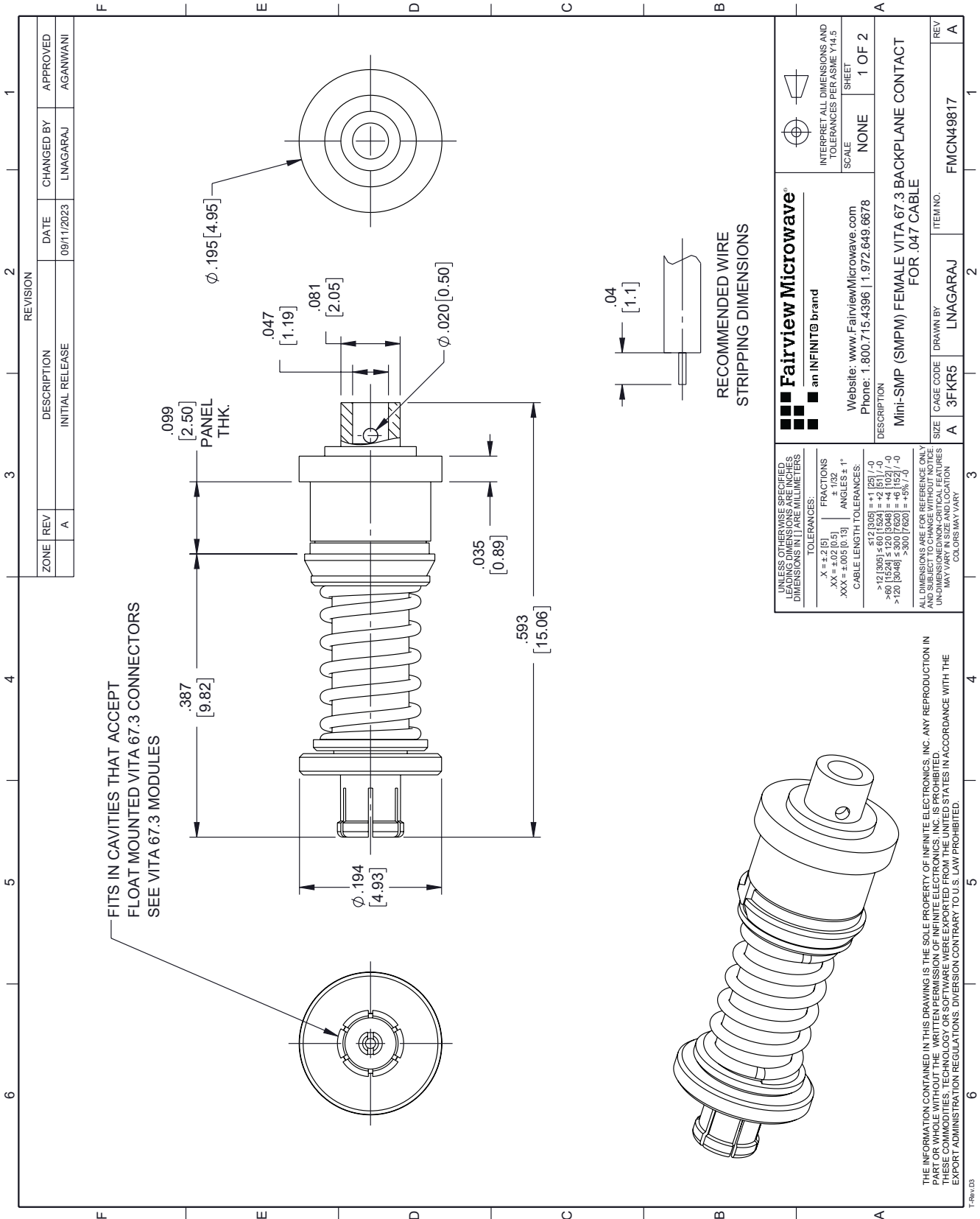
Mini SMP (SMPM) Female VITA 67.3 Connector Solder Attachment for FM-F047, FM-F047HF, FM-F047LL, FM-F047FLX from Fairview Microwave is in-stock and available to ship same-day. All of our RF/microwave products are available off-the-shelf from our ISO 9001:2008 certified facilities in Lewisville, Texas. Fairview Microwave is RF on-demand.

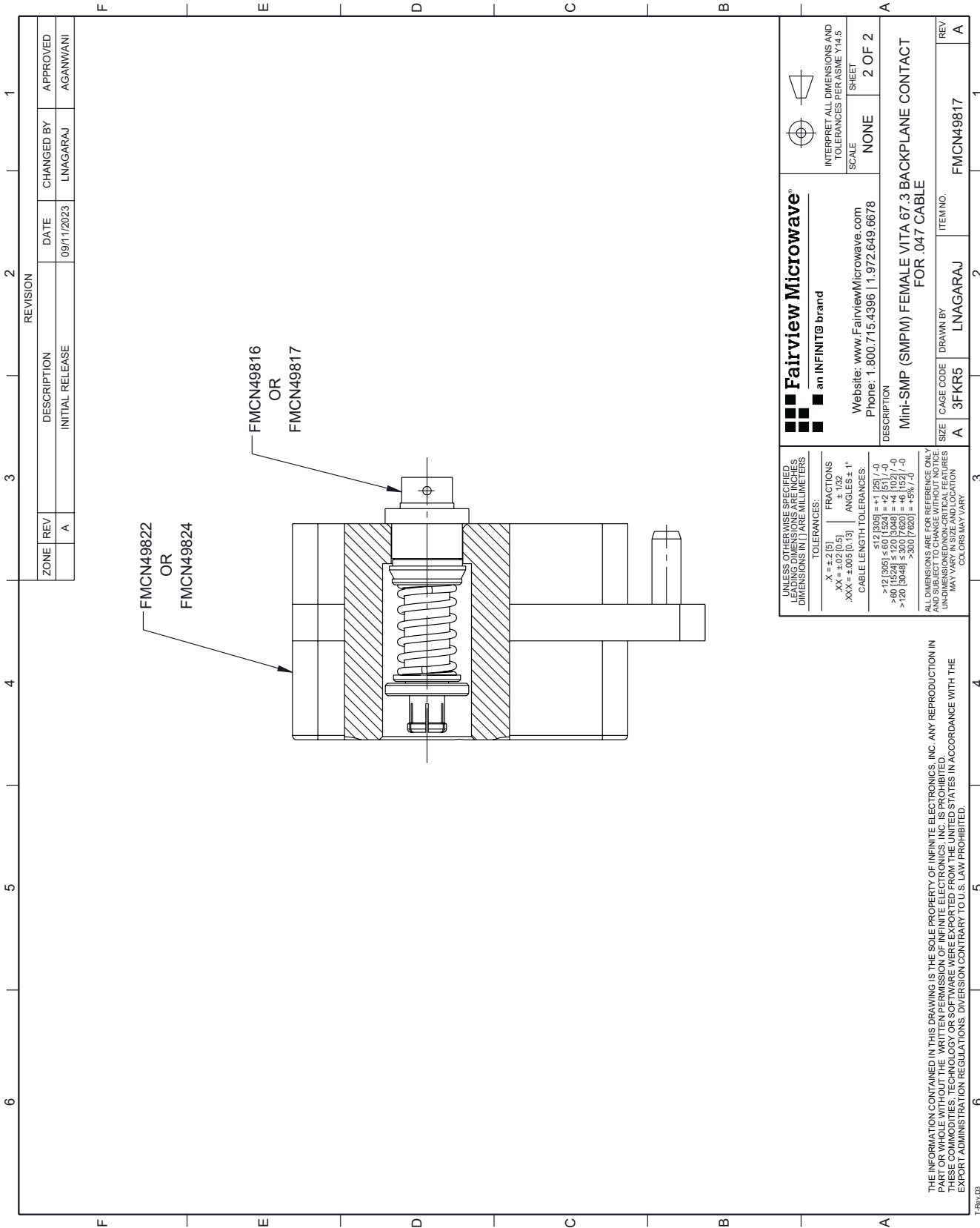
For additional information on this product, please click the following link: [Mini SMP \(SMPM\) Female VITA 67.3 Connector Solder Attachment for FM-F047, FM-F047HF, FM-F047LL, FM-F047FLX FMCN49817](#)

URL: <https://www.fairviewmicrowave.com/mini-smp-female-fm-f047-fm-f047hf-fm-f047ll-fm-f047flx-connector-fmcn49817-p.aspx>

The information contained in this document is accurate to the best of our knowledge and representative of the part described herein. It may be necessary to make modifications to the part and/or the documentation of the part, in order to implement improvements. Fairview Microwave reserves the right to make such changes as required. Unless otherwise stated, all specifications are nominal. Fairview Microwave does not make any representation or warranty regarding the suitability of the part described herein for any particular purpose, and Fairview Microwave does not assume any liability arising out of the use of any part or documentation.







REVISION		DATE	CHANGED BY	APPROVED
ZONE	REV	DESCRIPTION		
	A	INITIAL RELEASE	LNAGARAJ	AGANWANI

<p>Fairview Microwave[®] an INFINIT[®] brand</p> <p>Website: www.FairviewMicrowave.com Phone: 1.800.715.4396 1.972.649.6678</p>		<p>INTERPRET ALL DIMENSIONS AND TOLERANCES PER ASME Y14.5</p> <p>SCALE: NONE</p> <p>SHEET: 2 OF 2</p>
<p>UNLESS OTHERWISE SPECIFIED, LEADING DIMENSIONS ARE IN INCHES AND DIMENSIONS IN [] ARE MILLIMETERS.</p> <p>TOLERANCES:</p> <p>.X = ±.2 [5]</p> <p>.XX = ±.02 [0.5]</p> <p>.XXX = ±.005 [0.13]</p> <p>FRACTIONS: ± 1/32</p> <p>ANGLES ± 1°</p> <p>CABLE LENGTH TOLERANCES:</p> <p>≤ 12 [305] = ±.01 [.254]</p> <p>> 12 [305] ≤ 60 [1524] = ±.02 [.51]</p> <p>> 60 [1524] ≤ 300 [7620] = ±.04 [1.02]</p> <p>> 300 [7620] = ±.06 [1.52]</p> <p>> 300 [7620] = ±.08 [2.03]</p>		<p>DESCRIPTION</p> <p>Mini-SMP (SMPM) FEMALE VITA 67.3 BACKPLANE CONTACT FOR .047 CABLE</p>
<p>ALL DIMENSIONS ARE FOR REFERENCE ONLY AND SUBJECT TO CHANGE WITHOUT NOTICE. UN-DIMENSIONED CRITICAL FEATURES MAY VARY IN MANUFACTURING. COLORS MAY VARY.</p>		<p>ITEM NO. FMCN49817</p> <p>SIZE A</p> <p>CAGE CODE 3FKR5</p> <p>DRAWN BY LNAGARAJ</p> <p>REV A</p>

THE INFORMATION CONTAINED IN THIS DRAWING IS THE SOLE PROPERTY OF INFINITE ELECTRONICS, INC. ANY REPRODUCTION IN WHOLE OR IN PART WITHOUT THE WRITTEN PERMISSION OF INFINITE ELECTRONICS, INC. IS PROHIBITED. THESE COMMODITY TECHNOLOGY OR SOFTWARE WERE EXPORTED FROM THE UNITED STATES IN ACCORDANCE WITH THE EXPORT ADMINISTRATION REGULATIONS. DIVERSION CONTRARY TO U.S. LAW PROHIBITED.