

2.4mm Female (Jack) 2 Hole PCB Narrow Body,
0.062 inches End Launch PCB Connector, Solderless



FMCN45949

Configuration

- 2.4mm Female Connector
- 50 Ohms
- Straight Body Geometry
- 2 Hole Flange

Features

- Operating Frequency of 50 GHz Max.
- Good VSWR of 1.3:1
- Gold Plated Beryllium Copper Contact

Applications

- General Purpose Test
- Rack and Panel Mount Applications
- PCB Applications

Description

2.4mm Female 2 hole Flange Mount Standard 2 hole Flange Mount Connector, part number FMCN45949, from Fairview Microwave is in-stock and ships same day. This 2.4mm female connector operates up to a maximum frequency of 50 GHz and offers good VSWR of 1.3:1. Fairview's FMCN45949 2 hole flange 2.4mm connector enables designers to make external connections on product enclosures, and can be used in a variety of other rack mount and panel mount applications.

Fairview's 2.4mm female 2 hole flange connector FMCN45949 datasheet specifications and outline drawing are shown in this PDF below. Our extensive offering of RF, microwave and millimeter wave connectors allows designers to configure and customize their signal connections however they like. From providing an I/O for a board design to creating a custom cable assembly configuration, Fairview Microwave has a connector solution to meet your needs. Fairview Microwave also has the expertise to build your custom cable assemblies for you and ship them same-day.

Electrical Specifications

Description	Minimum	Typical	Maximum	Units
Frequency Range	DC		50	GHz
VSWR			1.3:1	
Operating Voltage (AC)			150	Vrms
Dielectric Withstanding Voltage (AC)			500	Vrms
Inner Conductor DC Resistance			4	mOhms
Outer Conductor DC Resistance			2.5	mOhms
Insulation Resistance	5,000			MOhms
RF Leakage	100			dB
Impedance		50		Ohms

Mechanical Specifications

Size

- Length 0.76 in [19.3 mm]
- Width 0.25 in [6.35 mm]
- Height 0.25 in [6.35 mm]
- Weight 0.002 lbs [0.91 g]
- Mating Cycles 500 Cycles
- Mating Torque 9.74 to 15 in-lbs [[1.10 to 1.70 Nm]]

2.4mm Female (Jack) 2 Hole PCB Narrow Body,
0.062 inches End Launch PCB Connector, Solderless



FMCN45949

Cable Retention Force 4.5 lbs [2.04 kg]

Material Specifications

Description	Material	Plating
Contact	Beryllium Copper	Gold
Insulation	PEI	
Outer Conductor	Stainless Steel	
Body	Stainless Steel	

Environmental Specifications

Temperature	
Operating Range	-40 to +165 deg C
Humidity	MIL-STD-202, Method 106
Thermal Shock	MIL-STD-202, Method 107, Condition B
Salt Spray	MIL-STD-202, Method 101, Condition B

Compliance Certifications (see [product page](#) for current document)

Plotted and Other Data

Notes:

2.4mm Female (Jack) 2 Hole PCB Narrow Body, 0.062 inches End Launch PCB Connector, Solderless from Fairview Microwave is in-stock and available to ship same-day. All of our RF/microwave products are available off-the-shelf from our ISO 9001:2008 certified facilities in Lewisville, Texas. Fairview Microwave is RF on-demand.

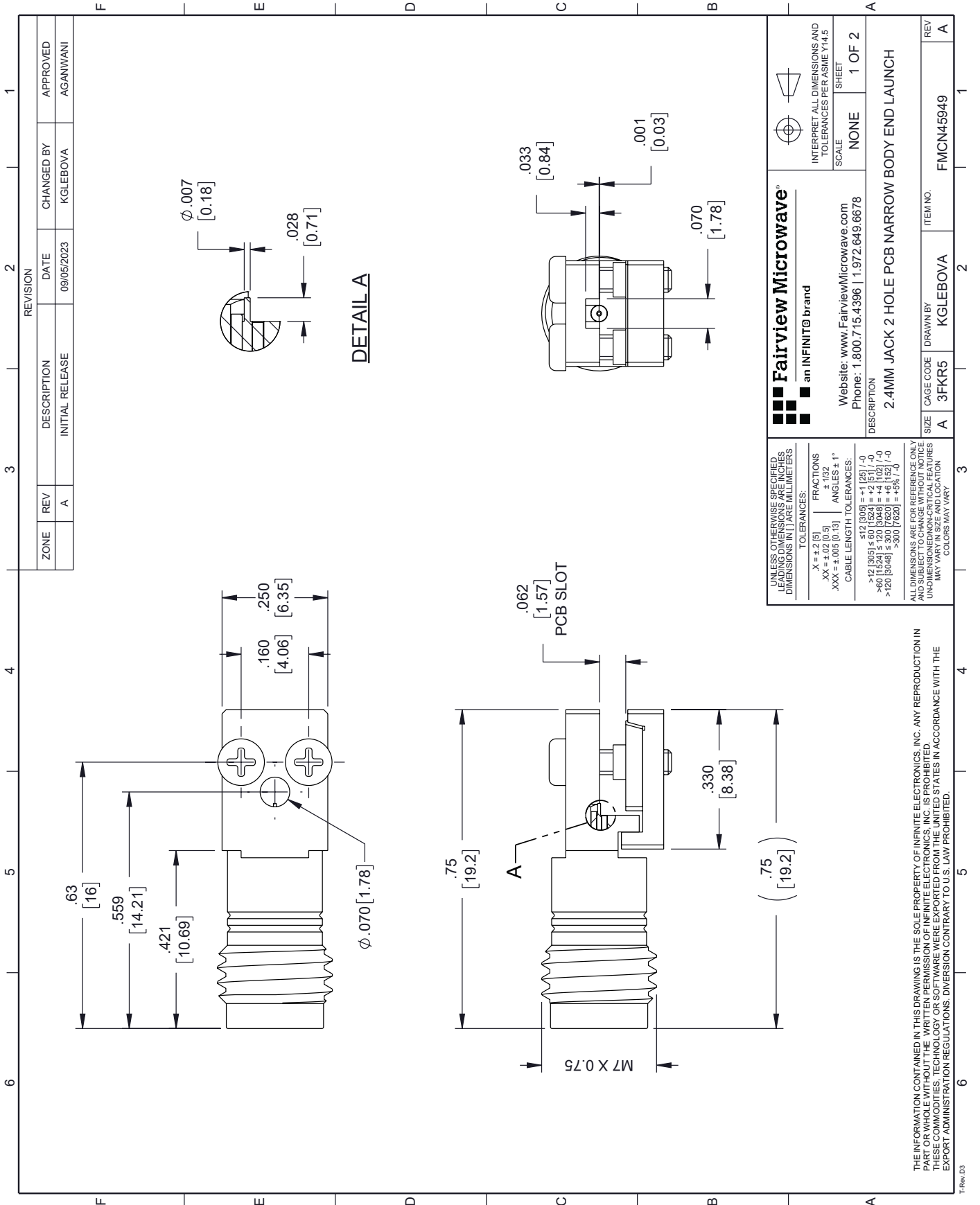
For additional information on this product, please click the following link: [2.4mm Female \(Jack\) 2 Hole PCB Narrow Body, 0.062 inches End Launch PCB Connector, Solderless FMCN45949](#)

URL: <https://www.fairviewmicrowave.com/2.4mm-female-pcb-connector-fmcn45949-p.aspx>

The information contained within this document is accurate to the best of our knowledge and representative of the part described herein. It may be necessary to make modifications to the part and/or the documentation of the part in order to implement improvements. Fairview Microwave reserves the right to make such changes as required. Unless otherwise stated, all specifications are nominal. Fairview Microwave does not make any representation or warranty regarding the suitability of the part described herein for any particular purpose, and Fairview Microwave does not assume liability arising out of the use of any part or document.

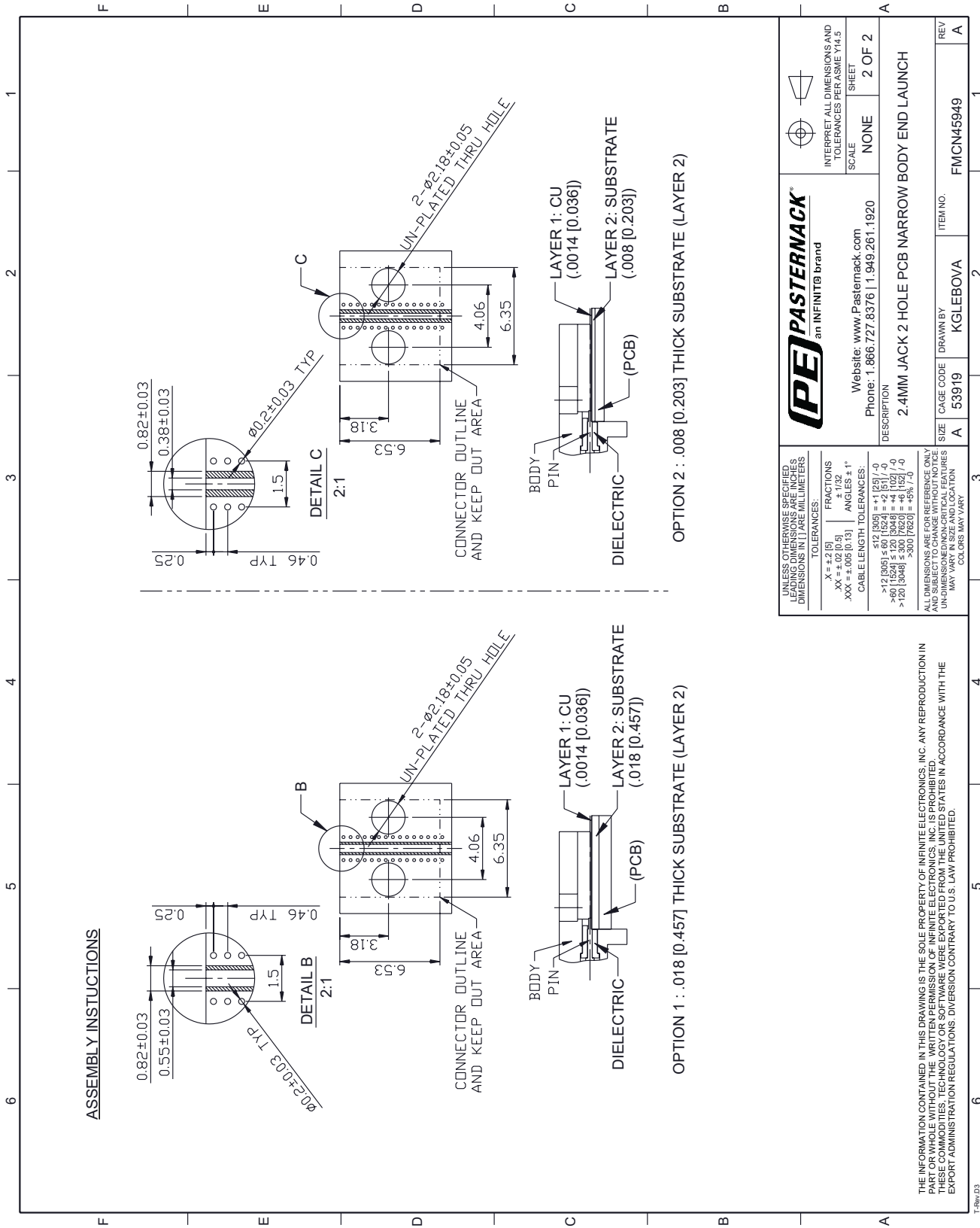
FMCN45949 CAD Drawing

2.4mm Female (Jack) 2 Hole PCB Narrow Body, 0.062 inches End Launch PCB Connector, Solderless



FMCN45949 CAD Drawing

2.4mm Female (Jack) 2 Hole PCB Narrow Body, 0.062 inches End Launch PCB Connector, Solderless



F-Rev.03