

4.3-10 Plug Non-Magnetic Connector Crimp/Solder Attachment for 0.141 Cable

4.3-10 Plug Non-Magnetic Connector Crimp/Solder Attachment for 0.141 Cable, part number FMCN45881, from Fairview Microwave is in-stock and ships same day. This 4.3-10 plug connector operates up to a maximum frequency of 6 GHz and offers excellent VSWR of 1.03:1. Fairview's Non Magnetic connectors are manufactured with materials that are especially adapted to non magnetism. Our non-magnetic connectors have a susceptibility of around 10^{-5} , as opposed to 10^{-2} for standard connectors made of brass/nickel materials. As a result, our non-magnetic connectors are transparent to the magnetic field, which means no field distortion and a higher Signal-to-Noise Ratio (SNR).

Fairview's 4.3-10 plug connector FMCN45881 datasheet specifications and outline drawing are shown in this PDF below. Our extensive offering of RF, microwave and millimeter wave connectors allows designers to configure and customize their signal connections however they like. From providing an I/O for a board design to creating a custom cable assembly configuration, Fairview Microwave has a connector solution to meet your needs. Fairview Microwave also has the expertise to build your custom cable assemblies for you and ship them same-day.

Electrical Specifications

Description	Min	Typ	Max	Units
Frequency Range	DC		6	GHz
VSWR			1.03:1	
Insertion Loss			0.05	dB
Operating Voltage (AC)			335	Vrms
DWV (AC)			1,000	Vrms
Insulation Resistance	5,000			MOhms

Mechanical Specifications

Size	
Length	0.429 in [10.9 mm]
Width/Dia.	0.207 in [5.26 mm]
Height	0.207 in [5.26 mm]
Weight	0.00198 lbs [0.9 g]
Mating Cycles	500 Cycles

Material Specifications

Description	Material	Plating
Contact	Brass	Silver
Body	Brass	Copper-Tin-Zinc Alloy
Gasket	EPDM Rubber	



Configuration:

- 4.3-10 Plug Connector
- 50 Ohms
- Straight Body Geometry
- 0.141 Cable Interface Type
- Crimp/Solder Attachment
- Non-Magnetic Design

Features:

- Operating Frequency of 6 GHz Max.
- Excellent VSWR of 1.03:1
- Silver Plated Brass Contact
- Magnetic Susceptibility 10^{-5}

Applications:

- General Purpose Test
- Custom Cable Assemblies
- Medical
- Military and Aerospace
- Quantum Computing

Fairview Microwave
 301 Leora Ln., Suite 100
 Lewisville, TX 75056
 Tel: 1-800-715-4396 / (972) 649-6678
 Fax: (972) 649-6689
www.fairviewmicrowave.com
sales@fairviewmicrowave.com

Environmental Specifications

Temperature

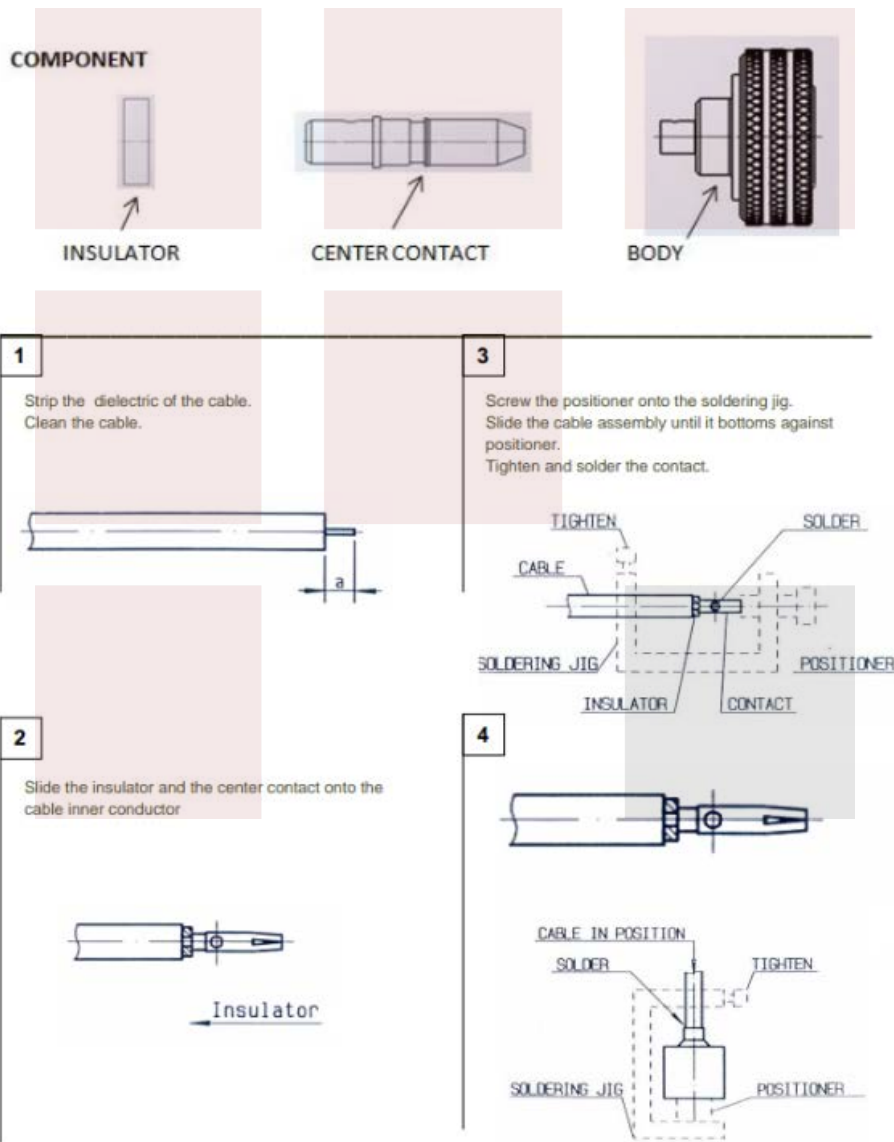
Operating Range -55 to +90 deg C

Compliance Certifications (see [product page](#) for current document)

Plotted and Other Data

Notes:

Assembly Instruction



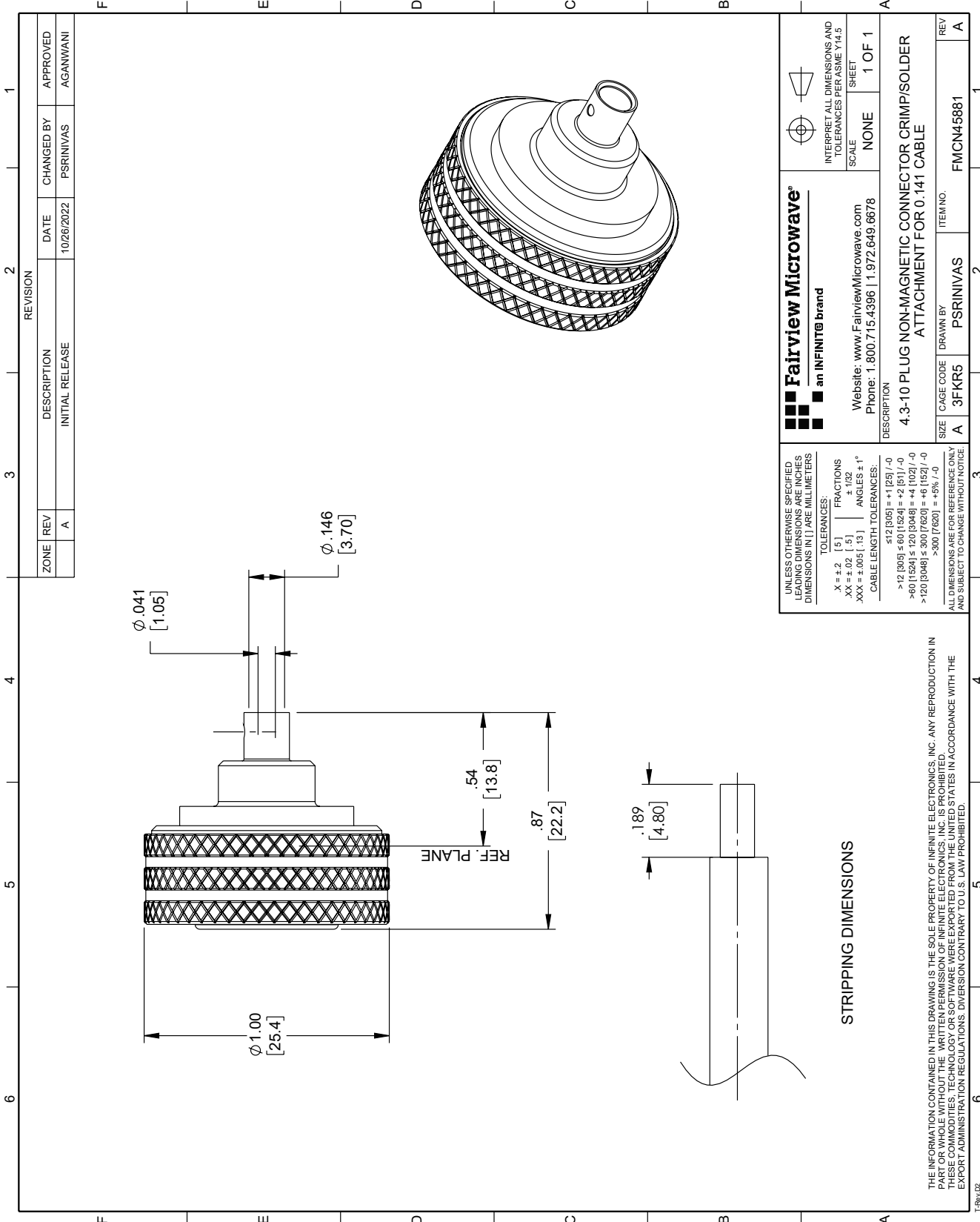
4.3-10 Plug Non-Magnetic Connector Crimp/Solder Attachment for 0.141 Cable from Fairview Microwave is in-stock and available to ship same-day. All of our RF/microwave products are available off-the-shelf from our ISO 9001:2008 certified facilities in Lewisville, Texas. Fairview Microwave is RF on-demand.

For additional information on this product, please click the following link: [4.3-10 Plug Non-Magnetic Connector Crimp/Solder Attachment for 0.141 Cable FMCN45881](#)

URL: <https://www.fairviewmicrowave.com/4.3-10-plug-0.141-cable-connector-fmcn45881-p.aspx>

The information contained in this document is accurate to the best of our knowledge and representative of the part described herein. It may be necessary to make modifications to the part and/or the documentation of the part, in order to implement improvements. Fairview Microwave reserves the right to make such changes as required. Unless otherwise stated, all specifications are nominal. Fairview Microwave does not make any representation or warranty regarding the suitability of the part described herein for any particular purpose, and Fairview Microwave does not assume any liability arising out of the use of any part or documentation.





<p>Fairview Microwave an INFINIT[®] brand</p>		<p>INTERPRET ALL DIMENSIONS AND TOLERANCES PER ASME Y14.5 SCALE: NONE SHEET: 1 OF 1</p>	
<p>Website: www.FairviewMicrowave.com Phone: 1.800.715.4396 1.972.649.6678</p>		<p>DESCRIPTION: 4.3-10 PLUG NON-MAGNETIC CONNECTOR CRIMP/SOLDER ATTACHMENT FOR 0.141 CABLE</p>	
SIZE	CAGE CODE	DRAWN BY	ITEM NO.
A	3FKR5	PSRINIVAS	FMCN45881
REV			A