

10KV Female Bulkhead Hermetically Sealed Connector 0.134 inch Pin Terminal Solder Attachment

The Fairview Microwave FMCN45838 is designed for high voltage applications and is rated to 10KV. This 10KV female bulkhead connector utilizes solder attachment for the contact. Our 10KV female bulkhead terminal connector from Fairview Microwave has an interface type of pin.

The Fairview Microwave 10KV female bulkhead coaxial connector has a PE (HD) dielectric type. This Fairview Microwave 10KV terminal cable connector has a brass body with tinned copper plating. Our 10KV female bulkhead connector uses beryllium copper contact with gold over nickel over copper plating material. This 10KV female bulkhead terminal RF connector is RoHS and REACH compliant, you can find this 10KV female terminal connector datasheet specifications above.

Fairview Microwave standard straight female 10 KV bulkhead connector will ship the same day. Our bulkhead 10KV standard straight female high voltage connector is part of over one million RF, microwave, and millimeter wave components in stock and ready for same-day shipment worldwide. We also build custom standard cable assemblies that will ship quickly from our location.



Configuration:

- 10KV Female Connector
- MIL-STD-202
- Straight Body Geometry
- Pin Interface Type
- Solder Attachment
- Bulkhead

Features:

- Hermetically Sealed
- Gold over nickel over copper Plated Beryllium Copper Contact
- High Density PE Insulator

Applications:

- General Purpose Test
- Rack and Panel Mount Applications
- High Voltage Pulsed RF Transmission

Electrical Specifications

Description	Min	Typ	Max	Units
Operating Voltage (DC)			10,000	Vdc
Test Voltage (DC)			15,000	Vdc
Inner Cond. DC Resistance			3	mOhms
Outer Cond. DC Resistance			2	mOhms
Insulation Resistance	1,000			MOhms

Mechanical Specifications

Size	
Length	2.5 in [63.5 mm]
Width/Dia.	0.75 in [19.05 mm]
Height	0.75 in [19.05 mm]
Weight	0.016 lbs [7.26 g]

Material Specifications

Description	Material	Plating
Contact	Beryllium Copper	Gold over nickel over copper
Insulation	PE (HD)	
Body	Brass	Tinned Copper
Coupling Nut	Brass	Tinned Copper
Gasket	Silicone	
Washer	Brass	Tinned Copper

Fairview Microwave
301 Leora Ln., Suite 100
Lewisville, TX 75056
Tel: 1-800-715-4396 / (972) 649-6678
Fax: (972) 649-6689
www.fairviewmicrowave.com
sales@fairviewmicrowave.com

Environmental Specifications

Temperature

Operating Range
Salt Spray

-55 to +85 deg C
MIL-STD-202, Method 101, Condiiton B

Compliance Certifications (see [product page](#) for current document)

Plotted and Other Data

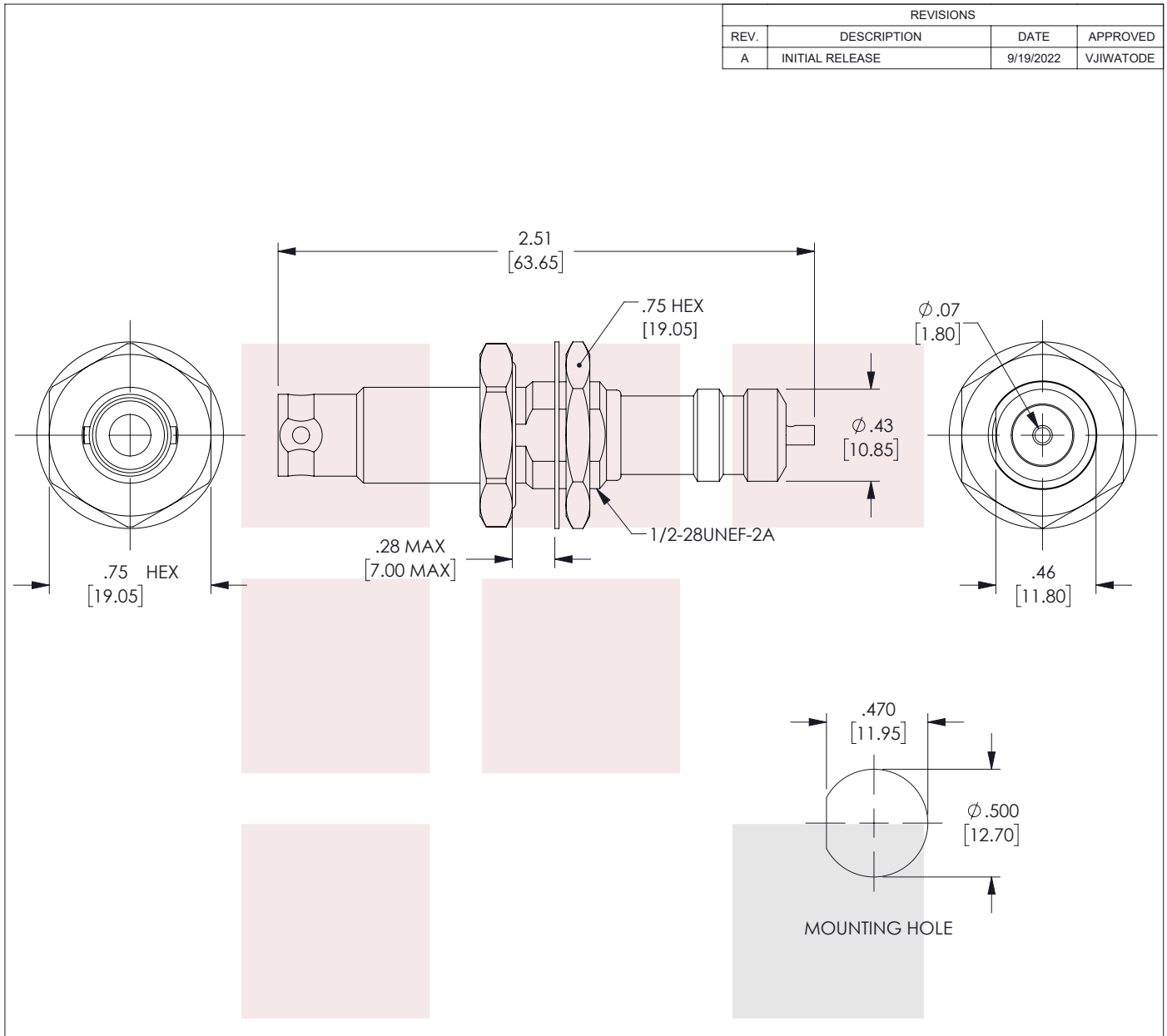
Notes:

10KV Female Bulkhead Hermetically Sealed Connector 0.134 inch Pin Terminal Solder Attachment from Fairview Microwave is in-stock and available to ship same-day. All of our RF/microwave products are available off-the-shelf from our ISO 9001:2008 certified facilities in Lewisville, Texas. Fairview Microwave is RF on-demand.

For additional information on this product, please click the following link: [10KV Female Bulkhead Hermetically Sealed Connector 0.134 inch Pin Terminal Solder Attachment FMCN45838](#)

URL: <https://www.fairviewmicrowave.com/10kv-female-pin-terminal-connector-fmcn45838-p.aspx>

The information contained in this document is accurate to the best of our knowledge and representative of the part described herein. It may be necessary to make modifications to the part and/or the documentation of the part, in order to implement improvements. Fairview Microwave reserves the right to make such changes as required. Unless otherwise stated, all specifications are nominal. Fairview Microwave does not make any representation or warranty regarding the suitability of the part described herein for any particular purpose, and Fairview Microwave does not assume any liability arising out of the use of any part or documentation.



REVISIONS			
REV.	DESCRIPTION	DATE	APPROVED
A	INITIAL RELEASE	9/19/2022	VJIWATODE

- NOTES:
1. HERMETICITY OF 1×10^{-6} cc/sec.

THESE COMMODITIES, TECHNOLOGY OR SOFTWARE WERE EXPORTED FROM THE UNITED STATES IN ACCORDANCE WITH THE EXPORT ADMINISTRATION REGULATIONS. DIVERSION CONTRARY TO U.S. LAW PROHIBITED.

<p>Fairview Microwave an INFINIT[®] brand</p>	<p>UNLESS OTHERWISE SPECIFIED LEADING DIMENSIONS ARE INCHES DIMENSIONS IN [] ARE MILLIMETERS</p> <p>TOLERANCES: CABLE LENGTH (L) TOLERANCES:</p> <table border="0"> <tr> <td>.X = ±.2 [5.08]</td> <td>FRACTIONS</td> <td>L ≤ 12 [305] = +1 [25] / -0</td> </tr> <tr> <td>.XX = ±.02 [.51]</td> <td>± 1/32</td> <td>12 [305] < L ≤ 60 [1524] = +2 [51] / -0</td> </tr> <tr> <td>.XXX = ±.005 [.13]</td> <td>ANGLES ± 1°</td> <td>60 [1524] < L ≤ 120 [3048] = +4 [102] / -0</td> </tr> <tr> <td></td> <td></td> <td>120 [3048] < L ≤ 300 [7620] = +6 [152] / -0</td> </tr> <tr> <td></td> <td></td> <td>300 [7620] < L = +5%L / -0</td> </tr> </table>	.X = ±.2 [5.08]	FRACTIONS	L ≤ 12 [305] = +1 [25] / -0	.XX = ±.02 [.51]	± 1/32	12 [305] < L ≤ 60 [1524] = +2 [51] / -0	.XXX = ±.005 [.13]	ANGLES ± 1°	60 [1524] < L ≤ 120 [3048] = +4 [102] / -0			120 [3048] < L ≤ 300 [7620] = +6 [152] / -0			300 [7620] < L = +5%L / -0	<p>THIRD-ANGLE PROJECTION</p> <p>THE INFORMATION AND DESIGN IN THIS DOCUMENT IS THE PROPERTY OF FAIRVIEW MICROWAVE CORPORATION. ALL RIGHTS RESERVED.</p>
	.X = ±.2 [5.08]	FRACTIONS	L ≤ 12 [305] = +1 [25] / -0														
.XX = ±.02 [.51]	± 1/32	12 [305] < L ≤ 60 [1524] = +2 [51] / -0															
.XXX = ±.005 [.13]	ANGLES ± 1°	60 [1524] < L ≤ 120 [3048] = +4 [102] / -0															
		120 [3048] < L ≤ 300 [7620] = +6 [152] / -0															
		300 [7620] < L = +5%L / -0															
<p>TITLE</p> <p>10KV Female Bulkhead Hermetically Sealed Connector 0.134 inch Pin Terminal Solder Attachment</p>	<p>ALL DIMENSIONS SHOWN ARE FOR REFERENCE ONLY.</p>	<p>SHEET 1 OF 1</p> <p>SCALE N/A</p>															
<p>SIZE A</p>	<p>CAGE CODE 3FKR5</p>	<p>DRAWN BY DMAY</p>	<p>ITEM NO. FMCN45838</p>	<p>REV A</p>													

T-Rev.D