

7/16 DIN Female Hermetically Sealed Connector Terminal Solder/Solder Attachment 4 Hole Flange

7/16 DIN Female 4 hole Flange Mount Standard Hermetically Sealed 4 hole Flange Mount Connector Solder/Solder Attachment, part number FMCN1947, from Fairview Microwave is in-stock and ships same day. This 7/16 DIN female connector operates up to a maximum frequency of 7.5 GHz and offers excellent VSWR of 1.2:1. Fairview's FMCN1947 4 hole flange 7/16 DIN connector enables designers to make external connections on product enclosures, and can be used in a variety of other rack mount and panel mount applications.

Fairview's 7/16 DIN female 4 hole flange connector FMCN1947 datasheet specifications and outline drawing are shown in this PDF below. Our extensive offering of RF, microwave and millimeter wave connectors allows designers to configure and customize their signal connections however they like. From providing an I/O for a board design to creating a custom cable assembly configuration, Fairview Microwave has a connector solution to meet your needs. Fairview Microwave also has the expertise to build your custom cable assemblies for you and ship them same-day.

Electrical Specifications

Description	Min	Typ	Max	Units
Frequency Range	DC		7.5	GHz
VSWR			1.2:1	
Insertion Loss			0.05	dB
Operating Voltage (AC)			2,700	Vrms
DWV (AC)			4,000	Vrms
Inner Cond. DC Resistance			0.4	mOhms
Outer Cond. DC Resistance			1.5	mOhms
Insulation Resistance	10,000			MOhms
RF Leakage	128			dB

Mechanical Specifications

Size

Length	1.48 in [37.59 mm]
Width/Dia.	1.26 in [32.00 mm]
Height	1.26 in [32 mm]
Weight	0.12 lbs [54.43 g]
Mating Cycles	500 Cycles
Mating Torque	260 to 310 in-lbs [29.38 to 35.03 Nm]
Cable Retention Force	45 lbs [20.41 kg]

Material Specifications

Description	Material	Plating
Contact	Phosphor Bronze	Gold over Nickel over Copper
Insulation	PTFE	
Body	Brass	Tri-Metal over Copper
Retaining Ring	Brass	Tri-Metal over Copper



Configuration:

- 7/16 DIN Female Connector
- 50 Ohms
- Straight Body Geometry
- Solder/Solder Attachment
- 4 Hole Flange

Features:

- Operating Frequency of 7.5 GHz Max.
- Excellent VSWR of 1.2:1
- Hermetically Sealed
- Gold over Nickel over Copper Plated Phosphor Bronze Contact

Applications:

- General Purpose Test
- Rack and Panel Mount Applications

Fairview Microwave
 301 Leora Ln., Suite 100
 Lewisville, TX 75056
 Tel: 1-800-715-4396 / (972) 649-6678
 Fax: (972) 649-6689
www.fairviewmicrowave.com
sales@fairviewmicrowave.com

Gasket Silicone

Environmental Specifications

Temperature

Operating Range	-65 to +165 deg C
Humidity	MIL-STD-202, Method106
Thermal Shock	MIL-STD-202, Method107, Condition B
Salt Spray	MIL-STD-202, Method101, Condition B
Hermetic Seal	1*10 ⁻⁶ cc/sec helium at 1atm

Compliance Certifications (see [product page](#) for current document)

Plotted and Other Data

Notes:

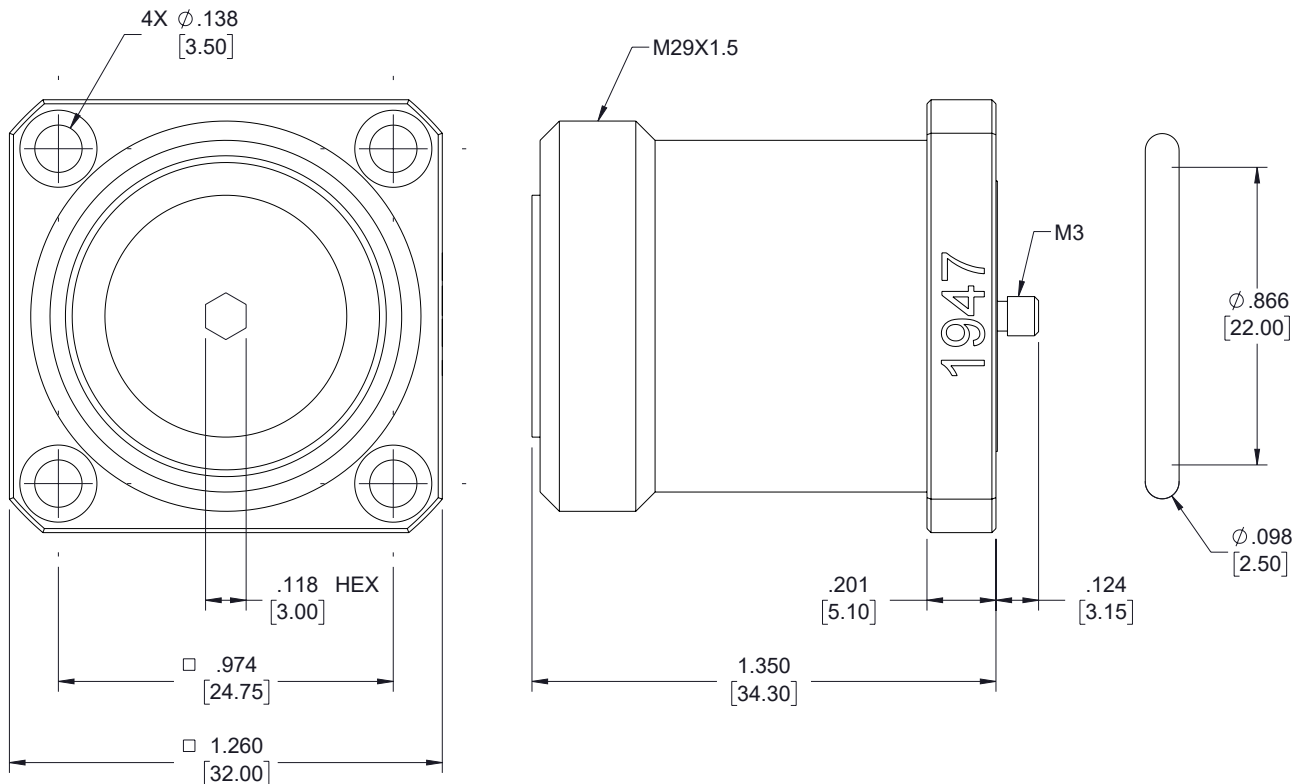
7/16 DIN Female Hermetically Sealed Connector Terminal Solder/Solder Attachment 4 Hole Flange from Fairview Microwave is in-stock and available to ship same-day. All of our RF/microwave products are available off-the-shelf from our ISO 9001:2008 certified facilities in Lewisville, Texas. Fairview Microwave is RF on-demand.

For additional information on this product, please click the following link: [7/16 DIN Female Hermetically Sealed Connector Terminal Solder/Solder Attachment 4 Hole Flange FMCN1947](#)

URL: <https://www.fairviewmicrowave.com/7-16-din-female-terminal-connector-fmcn1947-p.aspx>

The information contained in this document is accurate to the best of our knowledge and representative of the part described herein. It may be necessary to make modifications to the part and/or the documentation of the part, in order to implement improvements. Fairview Microwave reserves the right to make such changes as required. Unless otherwise stated, all specifications are nominal. Fairview Microwave does not make any representation or warranty regarding the suitability of the part described herein for any particular purpose, and Fairview Microwave does not assume any liability arising out of the use of any part or documentation.

REVISIONS			
REV.	DESCRIPTION	DATE	APPROVED
A	INITIAL RELEASE	12/12/2022	AGANWANI



THESE COMMODITIES, TECHNOLOGY OR SOFTWARE WERE EXPORTED FROM THE UNITED STATES IN ACCORDANCE WITH THE EXPORT ADMINISTRATION REGULATIONS. DIVERSION CONTRARY TO U.S. LAW PROHIBITED.

<p>Fairview Microwave an INFINIT[®] brand</p>	<p>UNLESS OTHERWISE SPECIFIED LEADING DIMENSIONS ARE INCHES DIMENSIONS IN [] ARE MILLIMETERS</p>		<p>THIRD-ANGLE PROJECTION</p> <p>THE INFORMATION AND DESIGN IN THIS DOCUMENT IS THE PROPERTY OF FAIRVIEW MICROWAVE CORPORATION. ALL RIGHTS RESERVED.</p>																	
	<p>TOLERANCES:</p> <table border="0"> <tr> <td>X = ± .2 [5.08]</td> <td>FRACTIONS ± 1/32</td> <td>L ≤ 12 [305] = +1 [25] / -0</td> <td rowspan="4"> <p>SHEET 1 OF 1</p> <p>SCALE N/A</p> </td> </tr> <tr> <td>.XX = ± .02 [.51]</td> <td>ANGLES ± 1°</td> <td>12 [305] < L ≤ 60 [1524] = +2 [51] / -0</td> </tr> <tr> <td>.XXX = ± .005 [.13]</td> <td></td> <td>60 [1524] < L ≤ 120 [3048] = +4 [102] / -0</td> </tr> <tr> <td></td> <td></td> <td>120 [3048] < L ≤ 300 [7620] = +6 [152] / -0</td> </tr> <tr> <td></td> <td></td> <td>300 [7620] < L = +5%L / -0</td> <td></td> </tr> </table>		X = ± .2 [5.08]	FRACTIONS ± 1/32	L ≤ 12 [305] = +1 [25] / -0	<p>SHEET 1 OF 1</p> <p>SCALE N/A</p>	.XX = ± .02 [.51]	ANGLES ± 1°	12 [305] < L ≤ 60 [1524] = +2 [51] / -0	.XXX = ± .005 [.13]		60 [1524] < L ≤ 120 [3048] = +4 [102] / -0			120 [3048] < L ≤ 300 [7620] = +6 [152] / -0			300 [7620] < L = +5%L / -0		<p>CABLE LENGTH (L) TOLERANCES:</p>
X = ± .2 [5.08]	FRACTIONS ± 1/32	L ≤ 12 [305] = +1 [25] / -0	<p>SHEET 1 OF 1</p> <p>SCALE N/A</p>																	
.XX = ± .02 [.51]	ANGLES ± 1°	12 [305] < L ≤ 60 [1524] = +2 [51] / -0																		
.XXX = ± .005 [.13]		60 [1524] < L ≤ 120 [3048] = +4 [102] / -0																		
		120 [3048] < L ≤ 300 [7620] = +6 [152] / -0																		
		300 [7620] < L = +5%L / -0																		
<p>ALL DIMENSIONS SHOWN ARE FOR REFERENCE ONLY.</p>																				
SIZE	CAGE CODE	DRAWN BY	ITEM NO.	REV																
A	3FKR5	HBAKKE	FMCN1947	A																

T-Rev.D